

# SPARE PARTS

GLOBAL VISTA





**Product Liability**

For the supplier's product liability to be valid, no alterations, additions or the like may be made to the equipment without the supplier's express permission.  
Use only genuine parts

**Caution**

To prevent damage that might result in electric shock or fire, disconnect the main power prior to any work.

**Warning**

Never run a leaking pump!  
Be careful with the environment and mind the skidding risk; take care of leaking fuel immediately.

**© Copyright**

The contents of this publication may not be copied either wholly or in part without the consent of Dresser Wayne.

Dresser Wayne reserves the right to change specifications contained in the text and illustrations without notice.

# 1 Service and maintenance

## 1.1 Separation of power supply

Separation is done by removing the main fuse of the pump on the station.



### **WARNING!**

To prevent damage which may result in electric shock or fire, disconnect the main power prior to any work.

### **CAUTION!**

Unauthorised personnel may not execute service and maintenance. This may cause personal injury or property damage.

### **CAUTION!**

Avoid the heat element of the electronics head, risk of skin burn.



### **WARNING!**

Mind the rotating V-belt when the cover of the hydraulic unit is removed!

### **WARNING!**

The driving belt may be replaced only by original belt from Dresser Wayne, otherwise there is a risk of explosion.

### **WARNING!**

Use your protective equipment. (Protective mask, gloves etc.)

## 1.2 Electrostatic discharge (ESD)

Before service/maintenance of a pump discharging must be done. This is done when you open the covers of the pump with a key.

If an extensive repair work is to be done, discharge should be done regularly by touching the key.



### **WARNING!**

The key must have direct contact with the skin.

### **NOTE!**

Avoid direct contact with electronic parts of the pump.

## 2 What does the denomination of the pump indicate

The different of Global Vista dispensers are identified according to the nomenclature given below.

The basic nomenclature used to define the **Global Vista** is

**3/GXXXX / 1° Sufixo / 2° Sufixo**

### Nomenclature explanation

First	<b>X</b>	defines number of qualities into the pump
Second	<b>X</b>	defines number of possible qualities out of the pump
Third	<b>X</b>	defines number of pumping units or dispenser adapters in the pump
Fourth	<b>X</b>	defines number of nozzles per side of the pump

### Additional nomenclature explanation

<b>Y (P or D)</b>	Defines whether it is a pump or dispenser
-------------------	---

Nozzles with a flow rate at factory of 40 lpm ( $\pm 10\%$  tolerance) are available on all positions (36 lpm when equipped with vapour recovery).

Nozzles with a flow rate at factory of 40-70, 70,90,130 lpm ( $\pm 10\%$  tolerance) are available exclusively on the first positions (see footprints).

Flow rates are specified without optional features that might impact the flow rate (safe-breaks, sight glasses, fine meshed paper filters, etc.). The installation must have the required prerequisites.

### Flow rate available for double-sided Global Vista

FLOW RATE	NUMBER OF METERS	NUMBER OF PUMPING UNITS/ADAPTER
<b>40 lpm</b>	<b>1</b>	<b>1</b>
<b>40-70 lpm</b>	<b>1</b>	<b>1</b>
<b>70 lpm</b>	<b>1</b>	<b>1</b>
<b>70 SIM lpm</b>	<b>1</b>	<b>2</b>
<b>90 SIM lpm</b>	<b>2</b>	<b>2</b>
<b>130 lpm</b>	<b>2</b>	<b>2</b>
<b>130 SIM lpm</b>	<b>2</b>	<b>3</b>

## 2.1 Data plate and serial number

Data printed on the plate equipping each Global Vista dispenser are as follows. The warning decal below is placed inside the hydraulic cabinet.

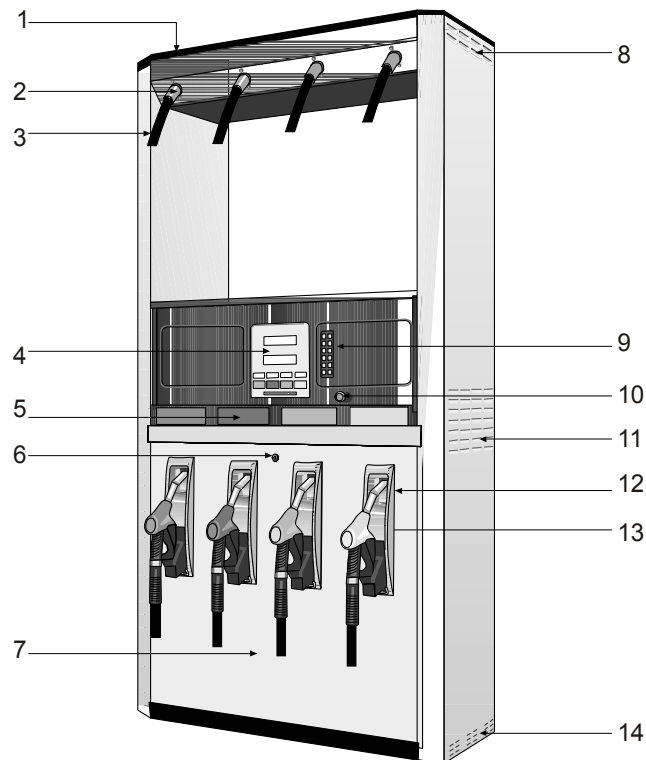


## **3 Contents**

1	Service and maintenance.....	3
1.1	Separation of power supply.....	3
1.2	Electrostatic discharge (ESD).....	3
2	What does the denomination of the pump indicate .....	4
2.1	Data plate and serial number .....	5
3	Contents .....	6
4	Global Vista main external components .....	7
5	Electronic head.....	8
5.1	Computing-head - display (35").....	8
5.2	Computing-head - display (48").....	10
5.3	CPU support (35") .....	12
5.4	CPU support (48") .....	14
5.5	Frame and paneling (35").....	16
5.6	Frame and paneling (48").....	18
5.7	Pump fixing components (35") .....	20
5.8	Pump fixing components (48") .....	22
5.9	Fuel delivery pipes.....	24
5.10	Recovery vapour .....	26
5.11	Vapour pump - pressure gauge .....	28
5.12	Motor.....	30
5.13	Junction box - motor.....	32
5.14	Junction box.....	34
5.15	Nozzle boot – lift-to-start .....	36
5.16	Nozzle boot – auto-on .....	38

## 4 Global Vista main external components

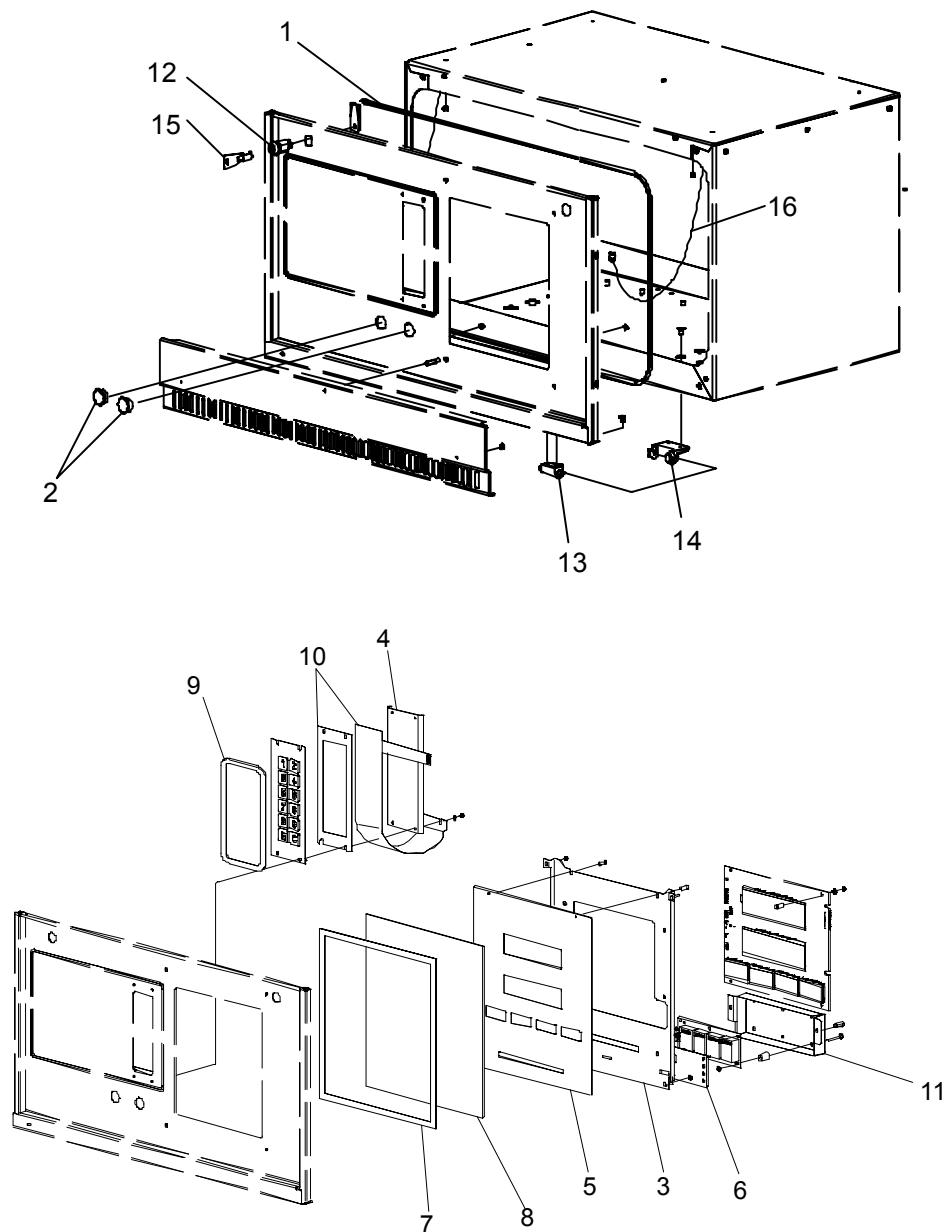
The main components of Global Vista dispensers are identified in the below



1	Top panel
2	Outlet connection
3	Fuelling hose
4	iGem computer
5	Product indication
6	Panel lock
7	Lower panel
8	Canopy vent louvers
9	Preset/functional keyboard (optional)
10	Emergency button (optional)
11	Column vent louvers
12	Nozzle boot
13	Fuelling nozzle
14	Base vent slots

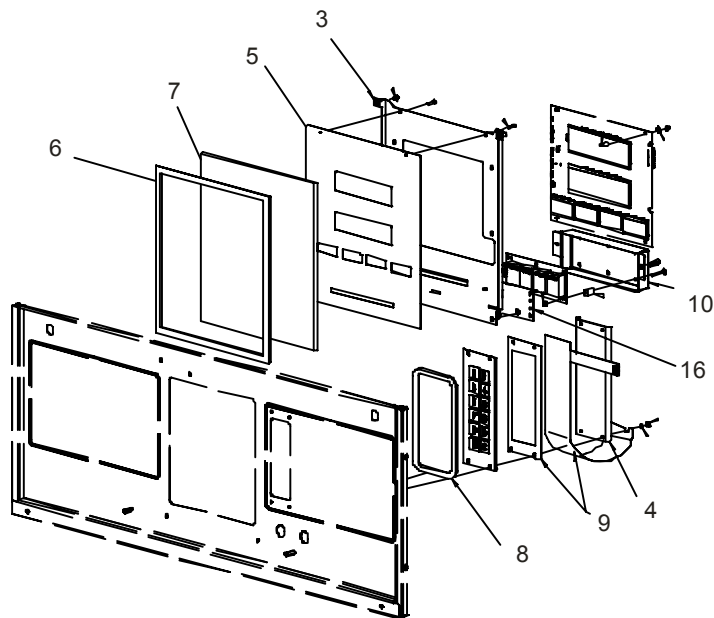
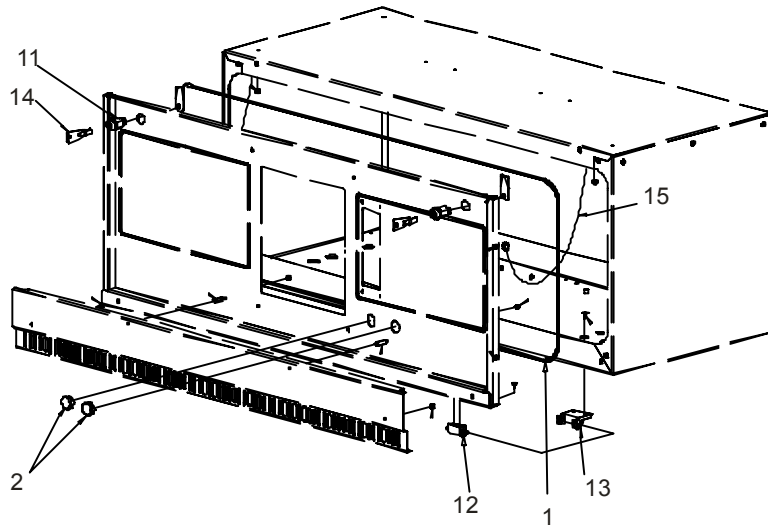
## 5 Electronic head

### 5.1 Computing-head - display (35")



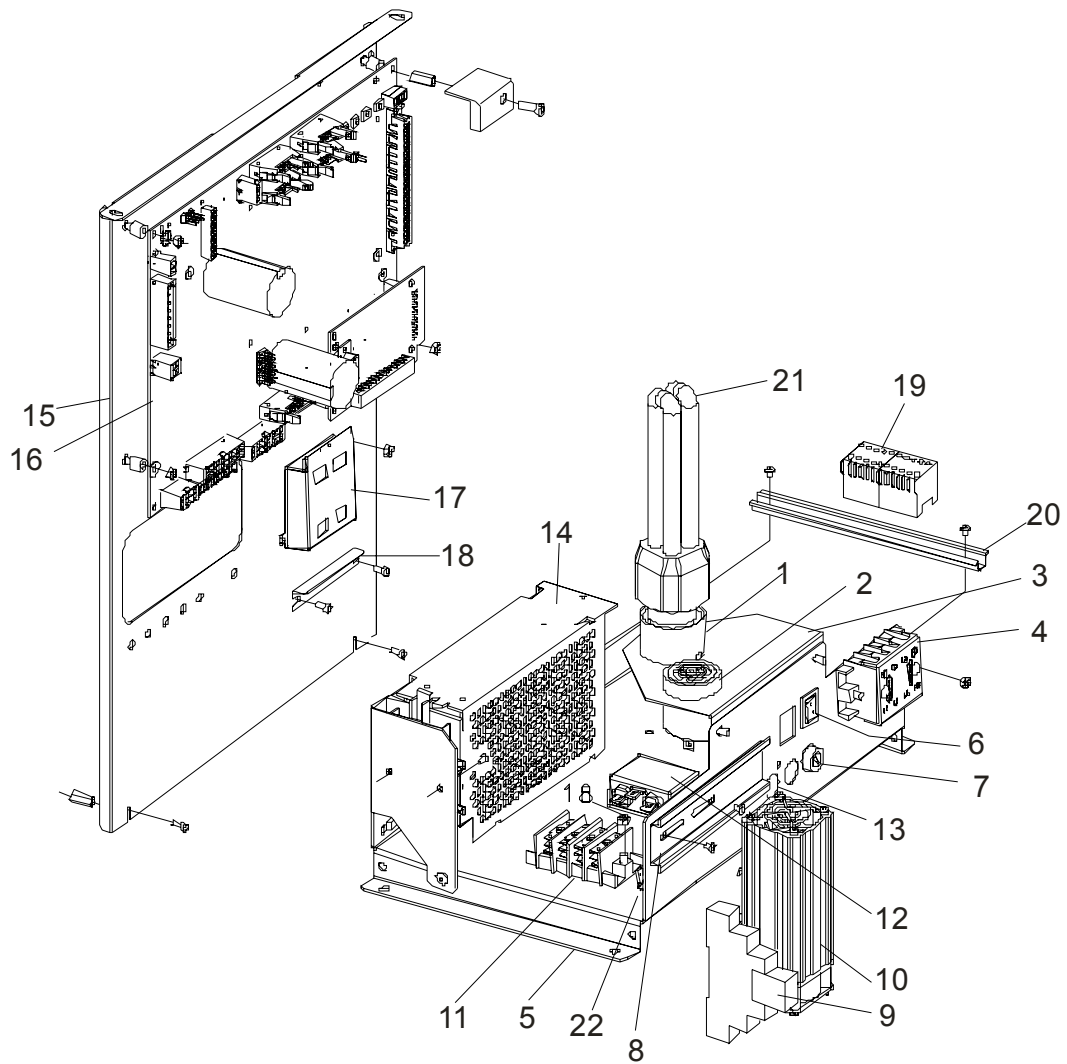
<b>Pos.</b>	<b>Part Number</b>	<b>Description</b>
1		Edge protector solid rubber sponge rubber steel strap
2	WB000682	Plug round black 22 dia
3	WT000367	Support box shape for display
4	WT000391	Support u-shape for keyboard
5		Dial face
6	WT000393	Dial face for totalizer
7		Gasket for glass
8	WT000365	Glass
9	WM004973	Gasket 175x71 t=2 w=8
10		Key pad
11	WT000369	Support box shape totalizer
12	WM001994-0002	Lock
13	WT002156	Hinge 1
14	WT002157	Hinge 2
15	WM003119	Key
16	1202011	String for bezel

## 5.2 Computing-head - display (48")



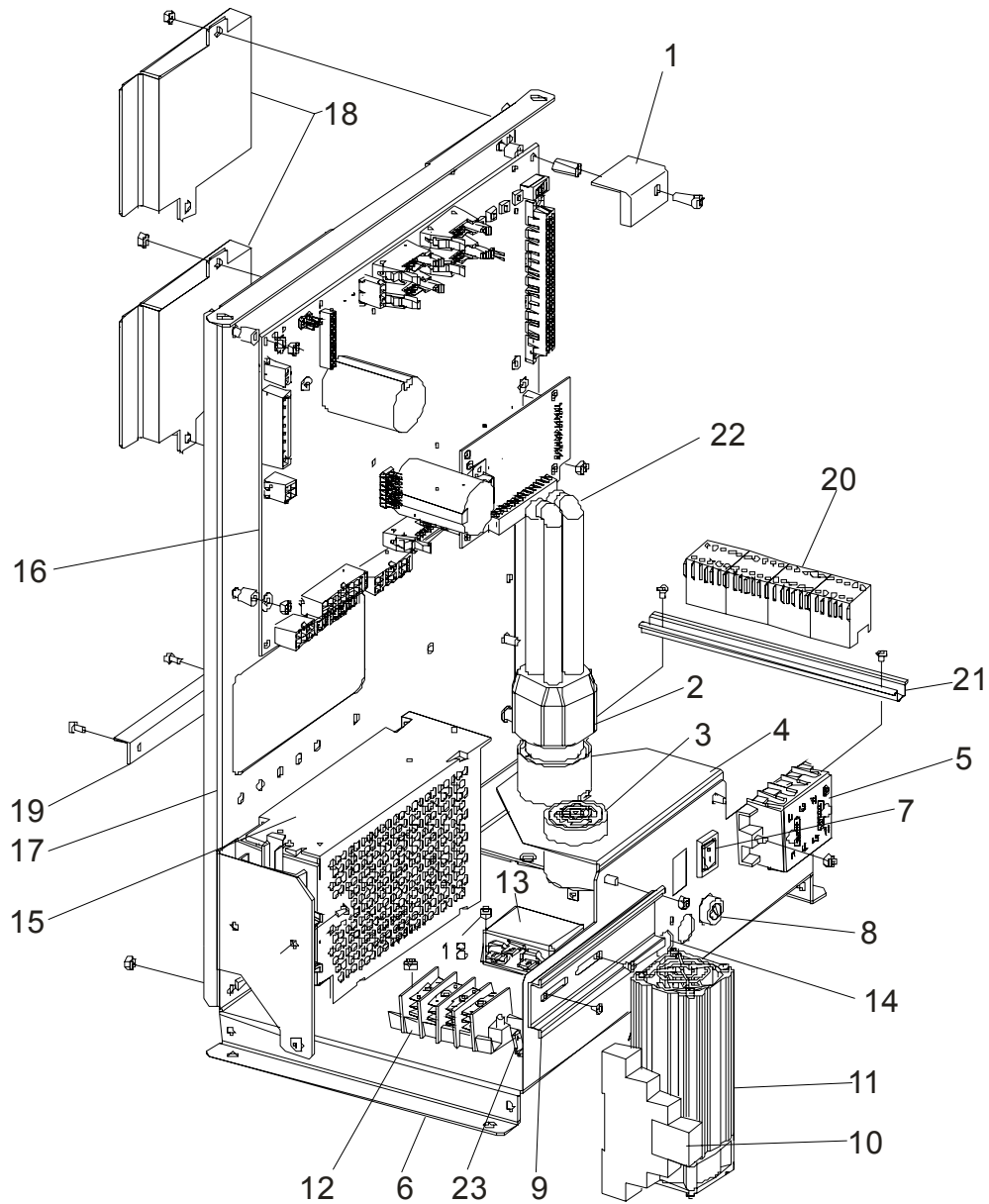
<b>Pos</b>	<b>Part Number</b>	<b>Description</b>
1		Edge protector solid rubber sponge rubber steel strap
2	WB000682	Plug round black 22 dia
3	WT000367	Support box shape for display
4	WT000391	Support u-shape for keyboard
5		Dial face
6		Gasket for glass
7	WT000365	Glass
8	WM004973	Gasket 175x71 t=2 w=8
9		Key pad
10	WT000369	Support box shape totalizer
11	WM001994-0002	Lock
12	WT 002156	Hinge 1
13	WT002157	Hinge 2
14	WM003119	Key
15	1202011	String for bezel
16	WT000393	Dial face for totalizer

### 5.3 CPU support (35")



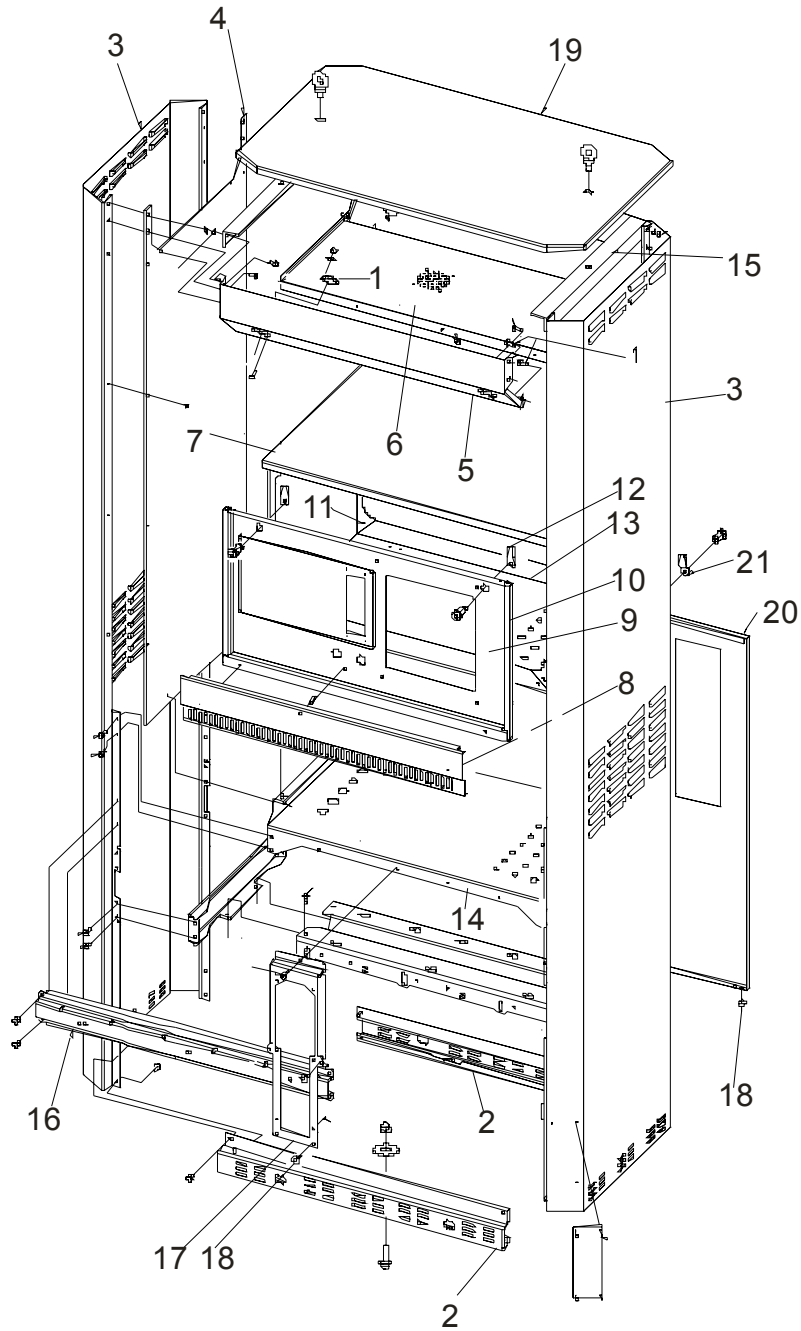
<b>Pos</b>	<b>Part Number</b>	<b>Description</b>
1	2921515	Holder lamp
2	WM002166	Buzzer
3	1306678	Support I-shape for lamp holder
4	WM002363	Terminal block 4 pol (400v)
5	WT000720	Support box shape for power supply
6	WM000683	Switch, on/off
7	WM000671	Holder fuse 5x20mm
8	WM0003162	Rail ts35 l=80
9	WM002399	Relay rt154l42 with socket and led
10	WM000428-000	Heating element
11	WM002364	Terminal block 4 pol
12	1921245	Mains filter 3a
13	WM000429	Thermostat
14		Power supply 50w
		Power supply 100w
15	WT000722	Support box shape for igem
16	WM0001908-000	Cpu board
17	WM002450	Intrinsic safe barrier
18	WT000723	Support I-shape for pulser cable
19		Remote control switch
20		Support
21	1921514	Lamp 220v
	2921514	Lamp 110v
22		Ground rivet

## 5.4 CPU support (48")



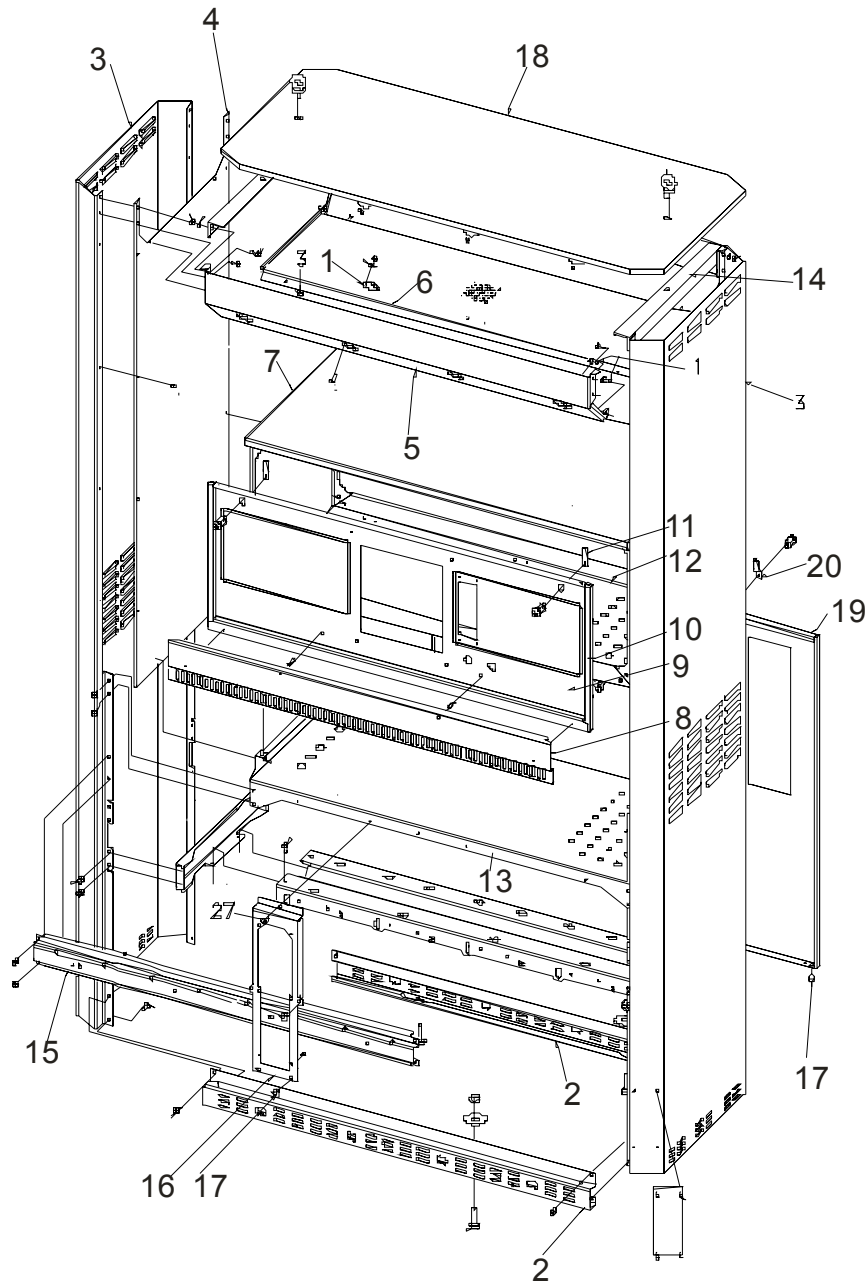
<b>Pos</b>	<b>Part number</b>	<b>Description</b>
1	Wm003766-0001	Sealing prg load switch igem wm001908
2	2921515	Holder, lamp
3	Wm002166	Buzzer
4	1306678	Support, l-shape for lamp holder
5	Wm002363	Terminal block 4 pol (400v)
6	Wt000720	Support, box shape for power supply
7	Wm000683	Switch, on/off
8	Wm000671	Holder, fuse 5x20 mm
9	Wm003162	Rail ts35, l=80
10	Wm002399	Relay rt154l24 with socket and led
11	Wm000428-000	Heating element
12	Wm002364	Terminal block 4 pol
13	1921245	Mains filter 3a
14	Wm000429	Thermostat
15	403064	Power supply 50w
	403065	Power supply 100w
16	Wm001908-000	Cpu board
17	Wt000722	Support, box shape for igem
18	Wt002450	Intrinsic safe barrier
19	Wt000723	Support, l-shape for pulser cale
20		Remote control switch
21		Support
22	1921514	Lamp 220v
	2921514	Lamp 110v
23		Ground rivet

## 5.5 Frame and paneling (35")



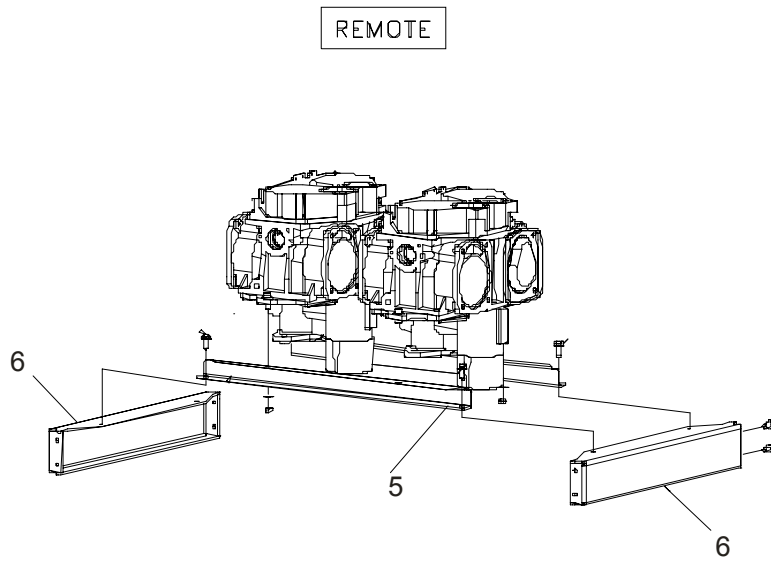
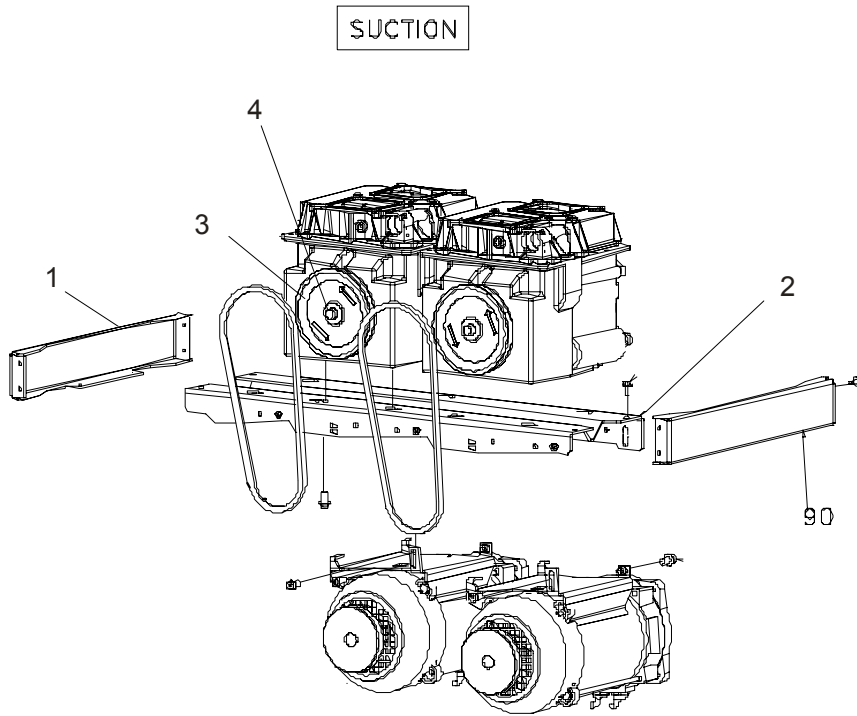
<b>Pos.</b>	<b>Part Number</b>	<b>Description</b>
1	WT001178-0002	Cover plate for outlet holes painted ral7047
2	WT001035-0001	Base 35" black ral9005
3	WT001002	Column standard (lane oriented)
4	WT000328	Side panel
5	WT001187-0002	Front panel 35" 4 hose outlets ral7047
6	WT001188-0002	Top panel 35" bottom access ral7047
7	WT001190-0001	Top panel electronic head 35" ral9005
8	WT001192-0001	Front panel 48" for product identification ral9005
9		Front panel bezel 35" ral9005
10	WT000388	Cover plate for bezel
11	1921518	Pop rivet dome head 4 diameter closed
12	WT000375	Latch for bezel
13	WT000399	Support box shape electronic head 48"
14	WT000343	Vapour barrier 48"
15	1305389	Support I=shape for eyebolts
16	WT000355-0001	Support, u-shape 48" for nozzle boot
17	WT000349	Support, box shape for nozzle boot
18	TLZ54142	Plug round for support box shape nozzle boot
19	WT001193-0002	Top panel 35" painted ral7047
20	WT001217-0001	Front panel 35" 2 nozzles ral7047
20	WT001218-0001	Front panel side a 48" 1 nozzles ral7047
20	WT001219-0001	Front panel side blind ral7047
21	WT000339	Latch for front panel

## 5.6 Frame and paneling (48")



<b>Pos.</b>	<b>Part Number</b>	<b>Description</b>
1	WT001178-0002	Cover plate for outlet holes painted ral7047
2	WT001035-0001	Base 48" black ral9005
3	WT001002	Column standard (lane oriented)
4	WT000328	Side panel
5	WT001036-0002	Front panel 48" 4 hose outlets ral7047
6	WT001179-0002	Top panel 48" bottom access ral7047
7	WT001180-0001	Top panel electronic head 48" ral9005
8	WT001181-0001	Front panel 48" for product identification ral9005
9	WT000533-0001	Front panel bezel 48" ral9005
10	WT000388	Cover plate for bezel
11	WT000375	Latch for bezel
12	WT000399	Support box shape electronic head 48"
13	WT000343	Vapour barrier 48"
14	1305389	Support l=shape for eyebolts
15	WT000355-0001	Support, u-shape 48" for nozzle boot
16	WT000349	Support, box shape for nozzle boot
17	TLZ54142	Plug round for support box shape nozzle boot
18	WT00184-0002	Top panel 48" painted ral7047
19	WT001212-0001	Front panel 48" 4 nozzles ral7047
19	WT001213-0001	Front panel side a 48" 3 nozzles ral7047
19	WT001214-0001	Front panel side b 48" 3 nozzles ral7047
19	WT001215-0001	Front panel 48" 2 nozzles ral7047
19	WT001216-0001	Front panel 48" 1 nozzle ral7047
20	WT000339	Latch for front panel

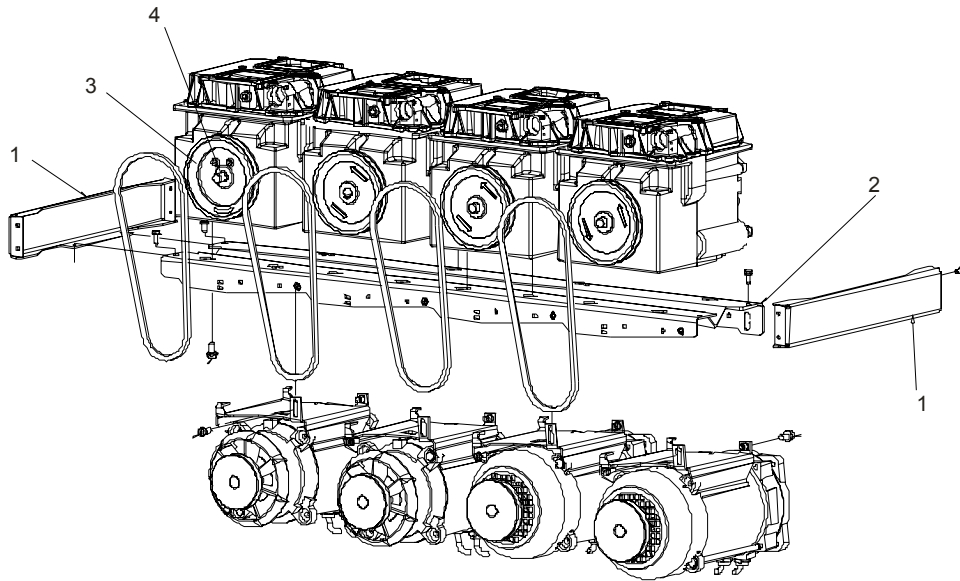
## 5.7 Pump fixing components (35")



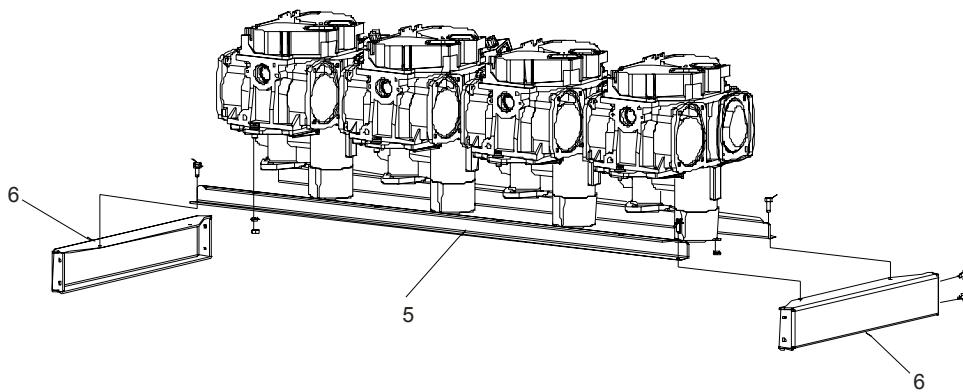
<b>Pos.</b>	<b>Part Number</b>	<b>Description</b>
		<b>Suction</b>
1	WT000347	Support, box shape suction type
2	WT000359-0003	Support, suction hydraulics, 2 modules 35"
3		Pulley
4		Key woodruff
		<b>Remote</b>
5	WT000353	Support, remote hydraulics, 2 modules 35"
6	WT000351	Support, box shape remote pump

## 5.8 Pump fixing components (48")

SUCTION

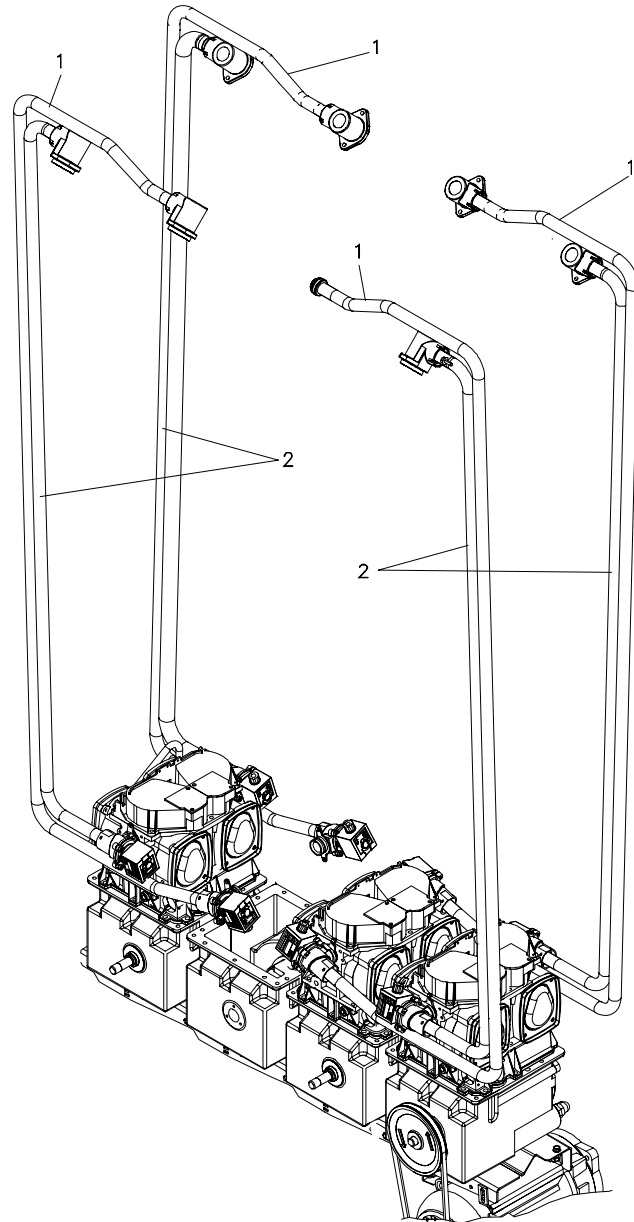


REMOTE



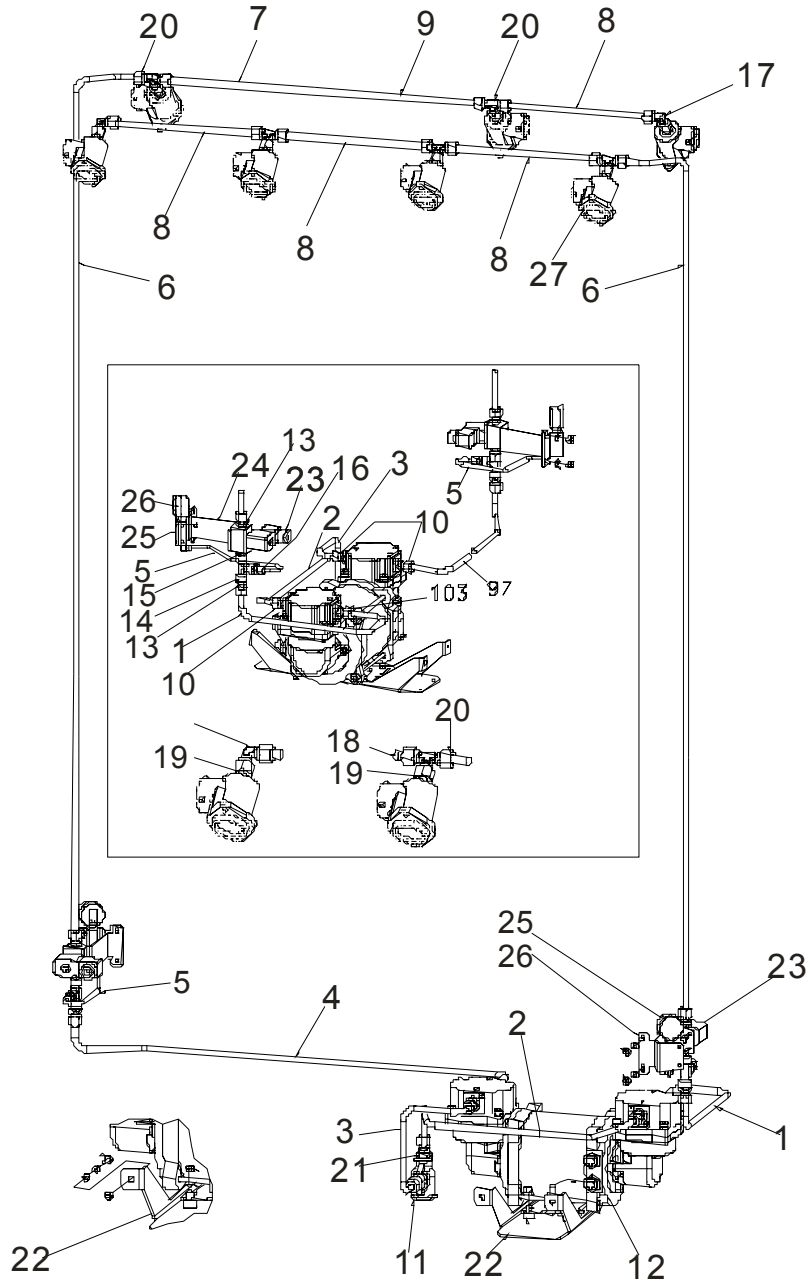
<b>Pos.</b>	<b>Part Number</b>	<b>Description</b>
		<b>Suction</b>
1	WT000347	Support, box shape suction type
2	WT000359-0001	Support, suction hydraulics, 4 modules 48"
3		Pulley
4		Key woodruff
		<b>Remote</b>
5	WT000353-001	Support, remote hydraulics, 4 modules 48"
6	WT000351	Support, box shape remote pump

## 5.9 Fuel delivery pipes



<b>Pos.</b>	<b>Part Number</b>	<b>Description</b>
1	WT000332	Tube, fuel delivery
2	WT000336	Tube, fuel delivery

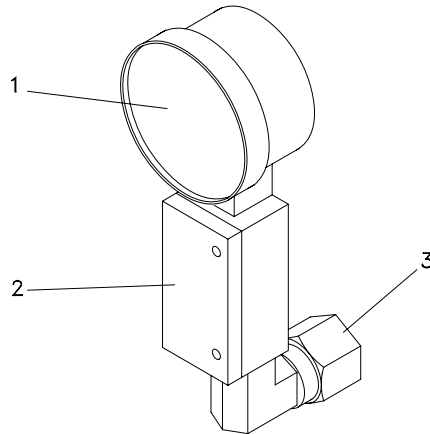
## 5.10 Recovery vapour



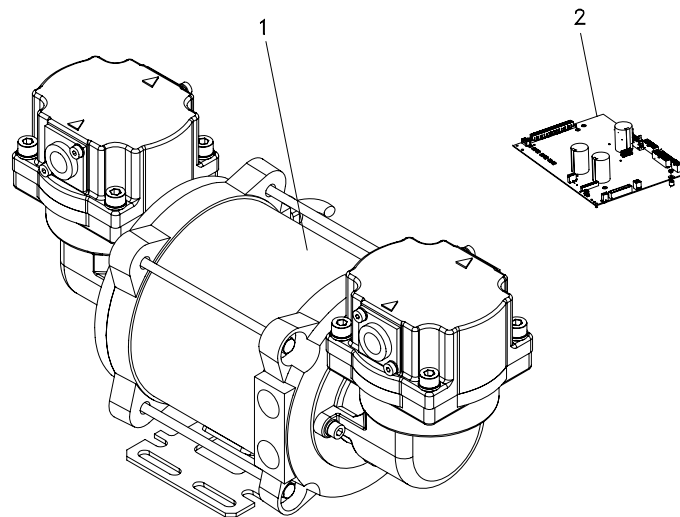
<b>Pos.</b>	<b>Part Number</b>	<b>Description</b>
1	WT000535	Tube, vapour side a inlet pump
2	WT000537	Tube, vapour side a outlet pump
3	WT000536	Tube, vapour side b outlet pump
4	WT000534	Tube, vapour side b inlet pump
		Tube, vapour for 35"
5	WT000538	Tube, vapour for vacuumeter
6	WT000539	Tube, vapour in column
7	WT000540	Tube, vapour l=556 mm
8	WT000542	Tube, vapour l=246 mm
9	WT000541	Tube, vapour l=848 mm
10	WM002041	Coupling, straight male g 3/8, d=10
11	WB000344-0001	Coupling t-coupling, female rr1"xrp1/2"xrp1/2"
12		Combined unit, vapour pump and motor 3-phase 400v
13	WM002037	Coupling straight male g 1/4 d=10
14	WB000345-0001	Coupling t-coupling, equal, female, g 1/4"
15	WB000351-0001	Coupling straight, male adapter r1/4"xr1/4"
16	WB000373	Coupling straight, male r1/4", d=6
17	WB000695	Coupling 90 degree for 10mm diameter pipe
18		Plug for 10mm diameter tubing
19	WB000701	Coupling straight adaptor, bsp parallel
20	WB000698	Coupling t-coupling for 10mm diameter pipe
21	WB000343-0001	Bushing male r1/2" x female rp3/8"
22	WT000551	Support box shape for vapour recover pump
23	WM001267	Solenoid valve proportional single
24	WT000545	Support z-shape for vapour solenoid valve
25	WT000547	Support z-shape for vacuum gauge
26	WM001545	Pressure gauge assy
27		Outlet connection 1" bsp
		Outlet connection 3/4" npt
		Outlet connection 1" npt
		Outlet connection for vapour recoery

## 5.11 Vapour pump - pressure gauge

PRESSURE GAUGE

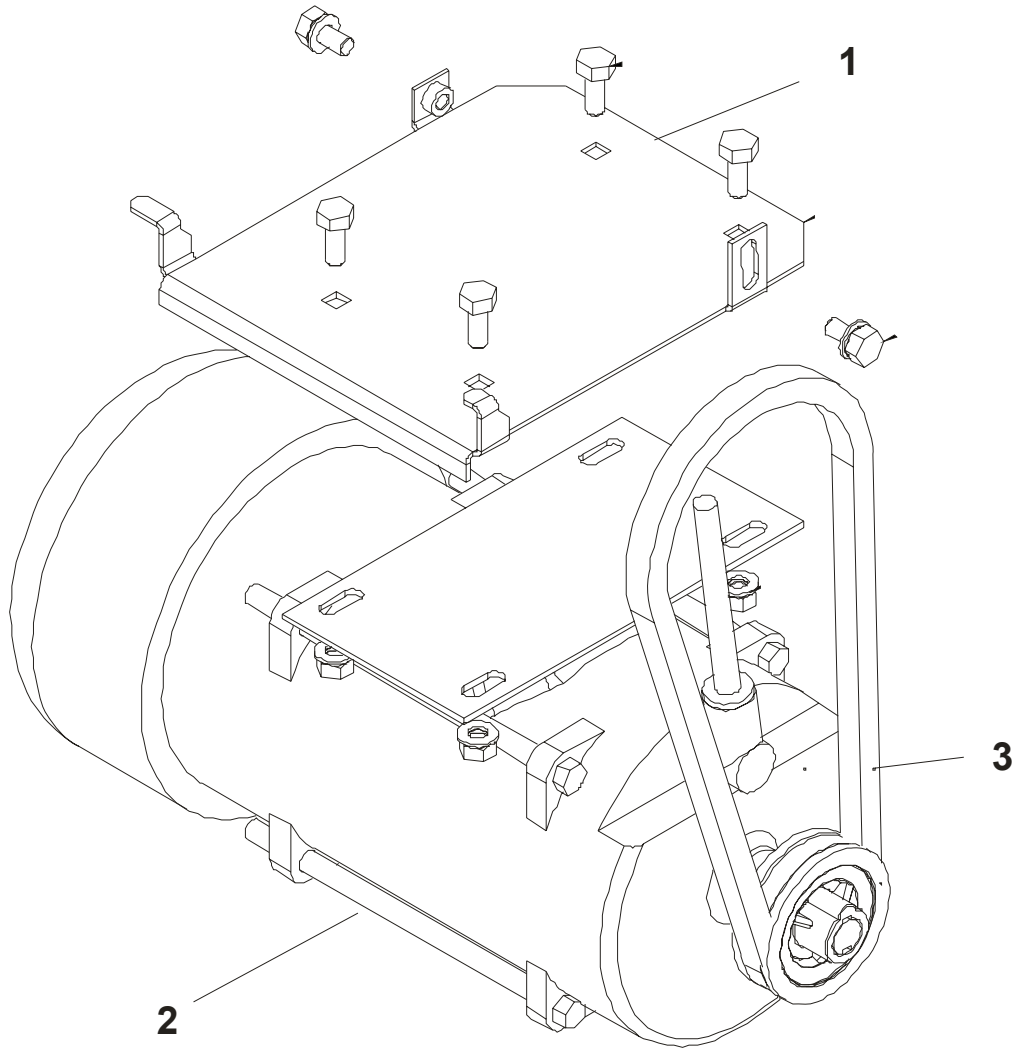


VAPOUR PUMP



<b>Pos.</b>	<b>Part Number</b>	<b>Description</b>
		<b>Pressure gauge</b>
	WM001545	Pressure gauge ass'y
1	WM001544	Pressure gauge
2	WM002449	Coupling straight
3	WM001812	Coupling 90 degree
		<b>Vapour pump</b>
1	WM001086	Combined unit vapour pump and motor 3-phase 400v 2 pumps piston
	WM003824	Combined unit vapour pump and motor -3phase 400v 2 pumps membrane
2	WM001905	Board vr burket

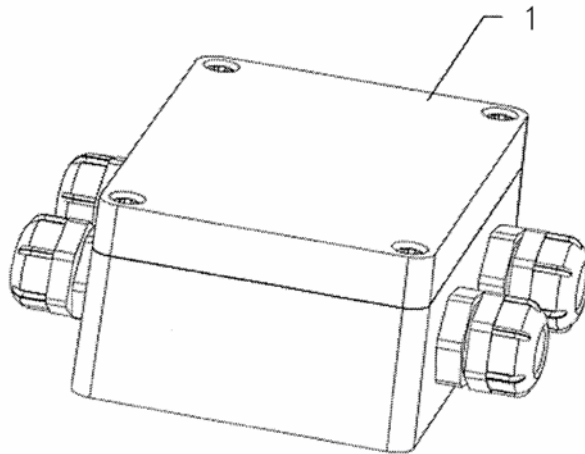
## 5.12 Motor



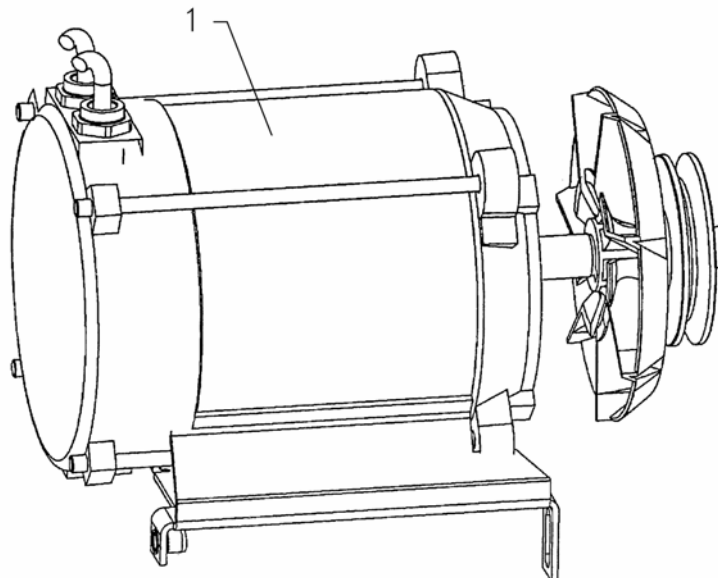
<b>Pos.</b>	<b>Part Number</b>	<b>Descriptio</b>
1	WT1191	Motor base
2		Motor elt
		Pulley
3		Belt

### 5.13 Junction box - motor

JUNCTION BOX

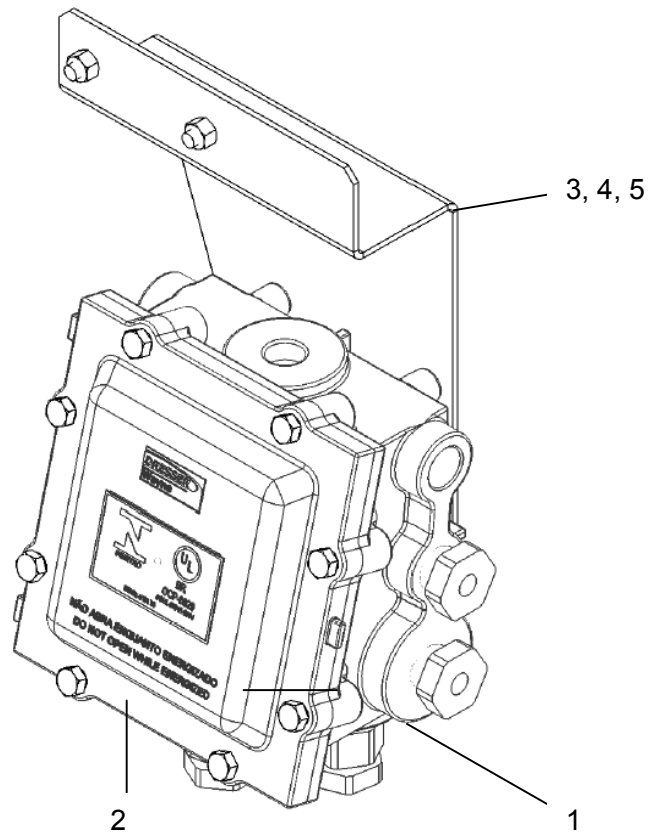


MOTOR



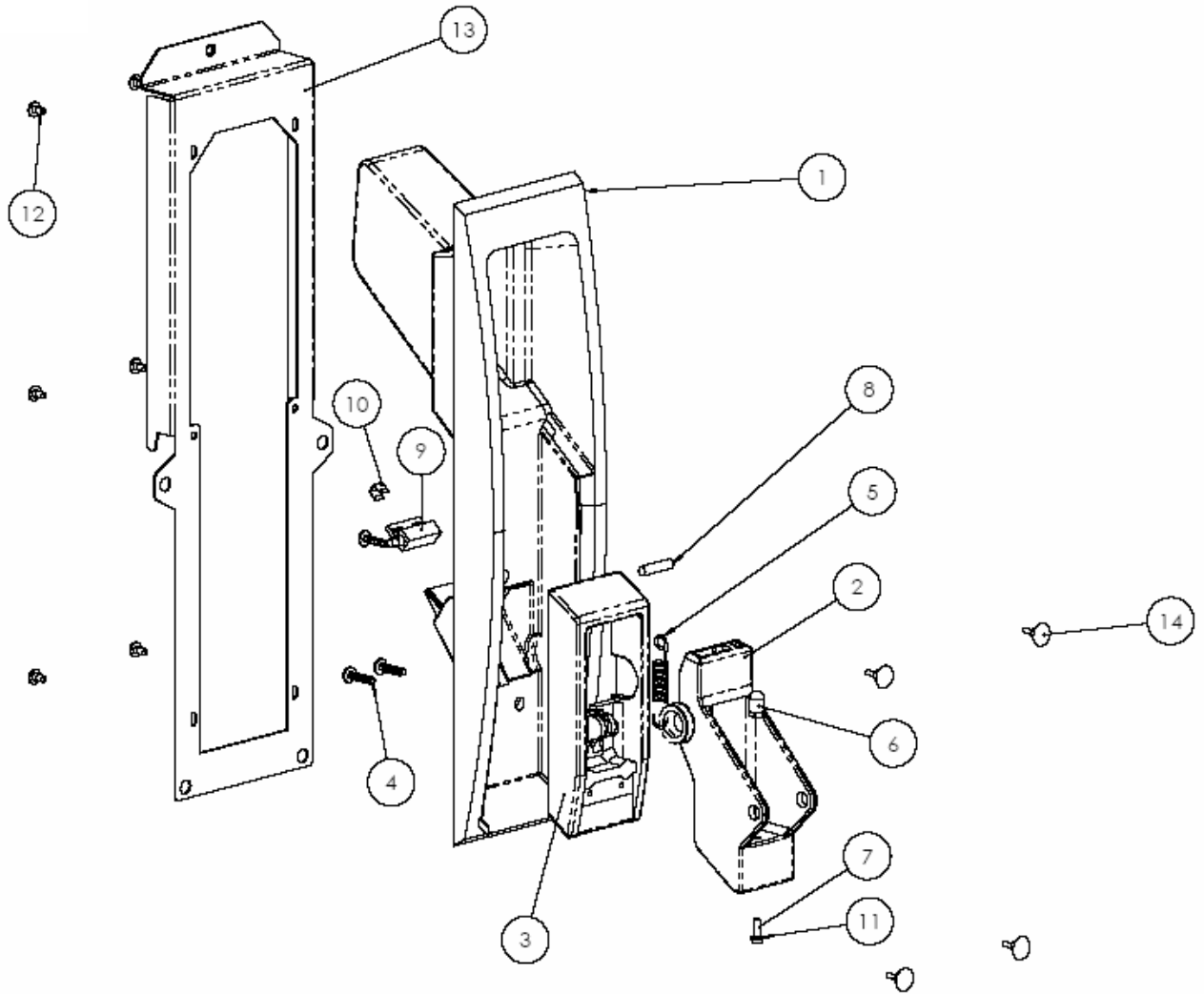
<b>Pos.</b>	<b>Part Number</b>	<b>Description</b>
1		Power junction box – ce mark
	WT000652	Suppor
1		Motor – ce mark

## 5.14 Junction box



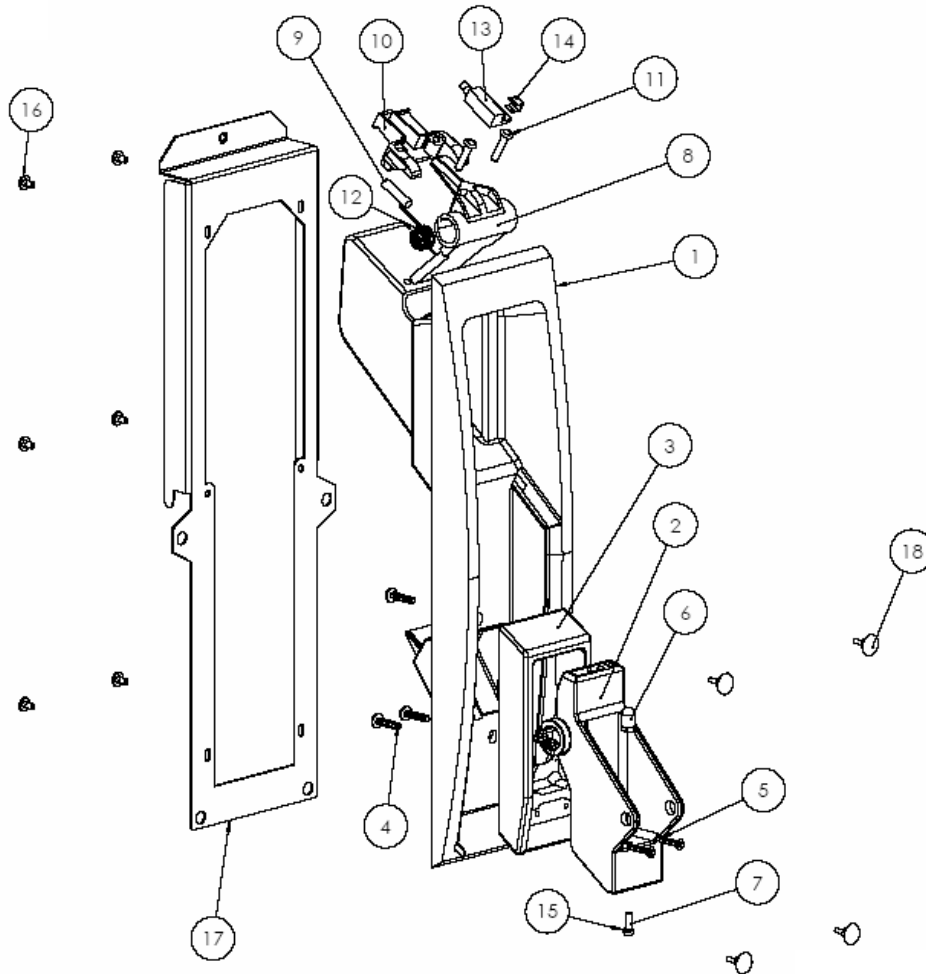
<b>Pos.</b>	<b>Part Number</b>	<b>Description</b>
1		Junction box body
2	1306180	Junction box cover
3	WT644	Support, z-shape for junction box
4	WT652	Support, z-shape for junction box low voltage
5	WT654	Support, z-shape for junction box low voltage

### 5.15 Nozzle boot – lift-to-start



Pos	Part Number	Description
1	1306347	Nozzle boot
2	1306395	Lever
3	1306399	Frame
4	1921565	Screw auto atar. C. F. F. Mpg fh mp 5x16 ac zc
5	1129953	Spring
6	1306434	Hook
7	2921351	Screw Cab. Cil. M 4 x 0,7 x 12
8	918919	Magnet lift to start
9	1921253	Nozzle switch - secatec
10	918913	Retainer ring
11	917043	Teething washer 0 4,3
12	1921313	Screw auto atar. Mpg fh mp 4x8 ac zc
13	WT349	Nozzle boot bezel
14	WT1222	Rubber plug

## 5.16 Nozzle boot – auto-on



<b>Pos)</b>	<b>Part Number</b>	<b>Description</b>
1	2306347	Nozzle boot
2	1306395	Lever
3	1306399	Frame
4	1921565	Screw auto-atar. Cab. Chata fend.ph. # 8 x 3/4"
5	2918481	Screw auto atar. C. F. F. Mpg fh mp 5x16 ac zc
6	1306434	Hook
7	2921351	Screw cab. Cil. M 4 x 0,7 x 12
8	1306431	Flipper
9	1921023	Magnet hamilin
10	2300925	Cramp
11	1921025	Rivet
12	3300927	Spring
13	1921253	Nozzle switch - secatec
14	918913	Retainer ring
15	917043	Teething washer
16	1921313	Screw auto atar. Mpg fh mp4x8 ac zc
17	WT349	Nozzle boot bezel
18	WT1222	Rubber plug

**NOTE:** “This equipment has been tested and found to comply with the limits for a Class A digital device, pursuant to Part 15 of the FCC Rules. These limits are designed to provide reasonable protection against harmful interference when the equipment is operated in a commercial environment. This equipment generates, uses, and can radiate radio frequency energy and, if not installed and used in accordance with the instruction manual, may cause harmful interference to radio communications. Operation of this equipment in a residential area is likely to cause harmful interference in which case the user will be required to correct the interference at his own expense”.



Dresser Indústria e Comércio Ltda. Divisão Wayne - Estrada do Timbó, 126 - Bonsucesso  
CEP 21061-280 - Rio de Janeiro - RJ - Brasil - Tel.: 5521 2598-7722.