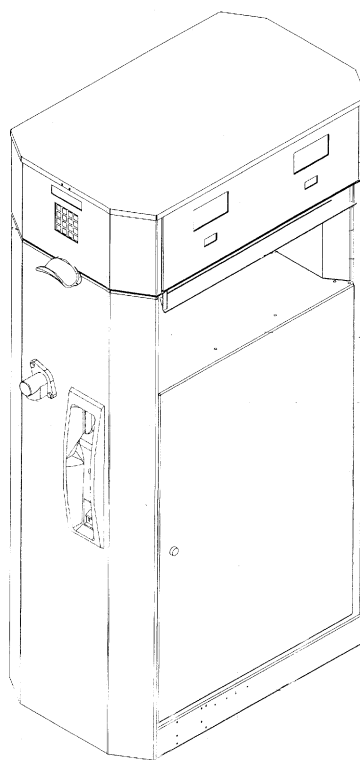


# PARTS

Global Century  
G2000 and G2200  
Series Dispensers



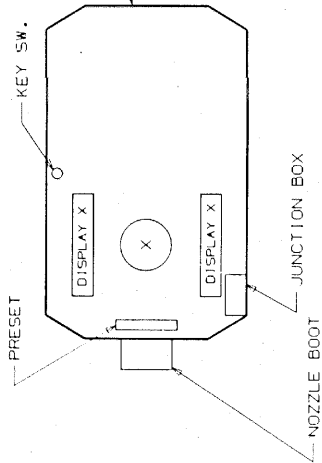
## TERMS AND ACRONYMS

Acronym / Abbreviation	Description
ASSY	ASSEMBLY
AU	AUTO ON
BRKT	BRACKET
CAT	CUSTOMER ACTIVATED TERMINAL
CPM	CUSTOMER PAYMENT MODULE
CD	CHARACTER DISPLAY
DEM	DISPLAY ELECTRONIC MODULE
DES	DATA ENCRYPTION STANDARD
DSPL	DISPLAY
DS	DUAL SIDED
GD	GRAPHICS DISPLAY
GHM	GLOBAL HYDRAULICS MODULE, iMETER - 2/VISTA HYDRAULICS MODULE
HTR	HEATER
iGEM	3/VISTA, GLOBAL ELECTRONICS WITH iMETER - 2/VISTA HYDRAU- LICS MODULE
iMETER	2/VISTA HYDRAULICS MODULE
KDC	KEYPAD DISPLAY CONSOLE
KYPD	KEYPAD
LTS	LIFT TO START
MFG	MANUFACTURING
MGD	MULTI-GRADE DISPENSER
NDES	NON-DES
N-ENCL	NEW ENCLOSURE
OCPT	OUTDOOR CARD PROCESSING TERMINAL
PCB	PRINTER CIRCUIT BOARD
PMPHD	PUMP HEAD
PRMGD	PROGRAMMED
PWR	POWER
PTS	PUSH TO START
RP	RECEIPT PRINTER
SCD	SECURED
SCR	SCREW
SP	SINGLE PRICING
SS	SINGLE SIDED
TBR	TEAR BAR PRINTER
VAC	VAPOR RECOVERY
WSHR	WASHER
W/VAC	WAYNE VAC VAPOR RECOVERY

**Global Century  
G2000 and G2200  
Series Dispensers  
Parts Manual**

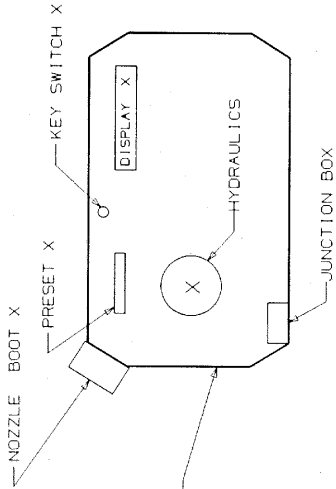
This manual lists parts for G2000 and G2200 series dispensers. For shared assemblies see the 1 & 2/ Vista Shared Assemblies Manual, part no. 920345.

Island

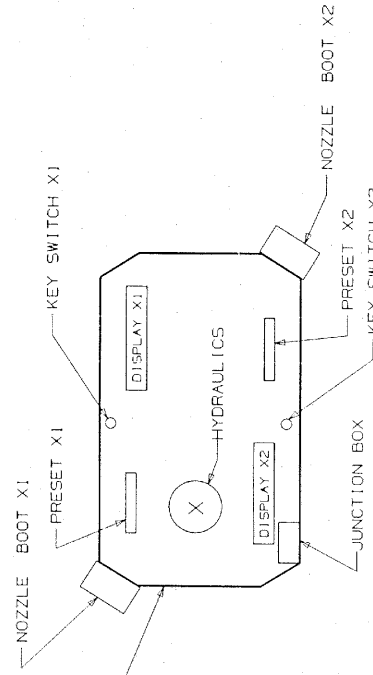
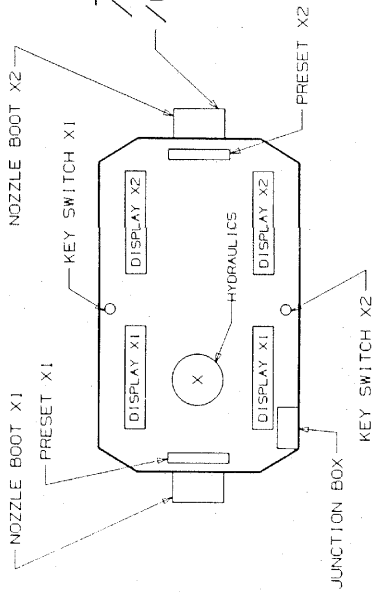


Single  
/G2001P/  
/G2007P/R

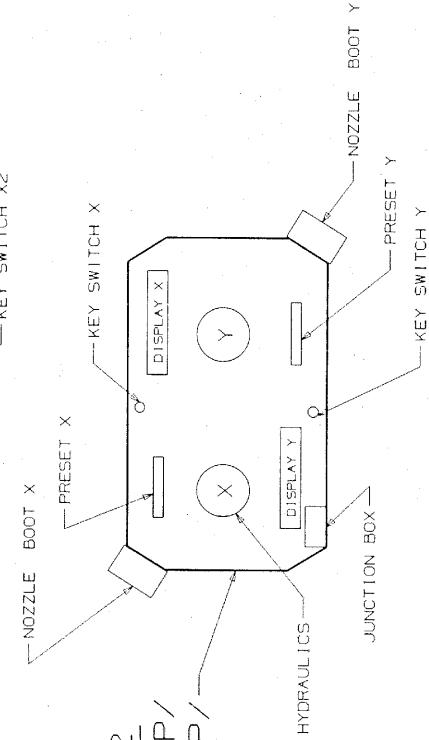
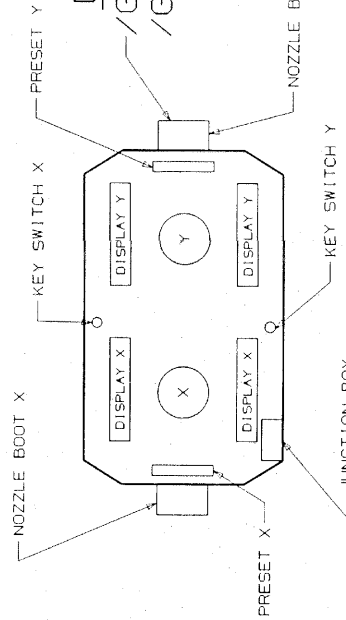
Lane



Duo 1  
/G2007P/  
/G2002P/



Duo 2  
/G2003P/  
/G2008P/



GLOBAL CENTURY CONFIGURATION LAYOUT

**TABLE OF CONTENTS**

<u>Title</u>	<u>Page</u>
List of Terms and Acronyms .....	Inside Front Cover
Global Century Configurations.....	ii
How to Locate Parts .....	iv
How to Contact Wayne.....	iv
How to Order Parts .....	v
How to Use Global Century Dispenser Model Designation Chart.....	vii
List of Tables .....	ix
List of Figures.....	xi
FCC Warning .....	Back Cover

## HOW TO LOCATE PARTS

How to locate part number:

- Use the List of Tables to locate the Module containing part needed, (Hydraulics, Bezel, Electronic Head, etc.).
- Using the Module description find the Table number and page where shown. Turn to indicated page.
- In the Table use the Drawing\* number, (DWG) listed under the Part No. column, to find the corresponding module drawing. Turn to drawing indicated.
- Locate the part or assembly needed on the module drawing and the corresponding Item\*\* number.
- Then using the Item number on the drawing find the specific part number, quantity and description in the parts table for your model.
- Some parts and assemblies may breakdown further. Follow the instructions in the table to '**See Other Tables or Manuals**'.\*\*\*

\*Some tables refer to several Drawings (DWG) for part identification.

\*\*The item numbers shown on the drawings are intended only to locate the part number and description in the accompanying table of parts. **Do not order parts by item number.**

\*\*\*Some common part assemblies, subassemblies and modules are listed in the 1/Vista and 2/Vista Blending and Non-blending Shared Assemblies Manual, part no. 920345, and show a further breakdown of parts.

## HOW TO CONTACT WAYNE

WAYNE TECHNICAL SUPPORT 1-800-926-3737

WAYNE SERVICE PARTS DEPT. PH: 1-512-218-6547  
FAX ORDERS: 1-512-388-8592

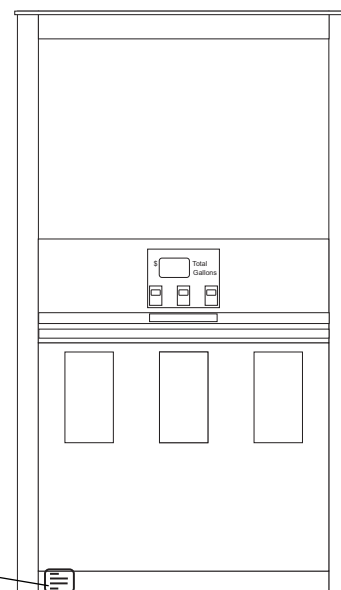
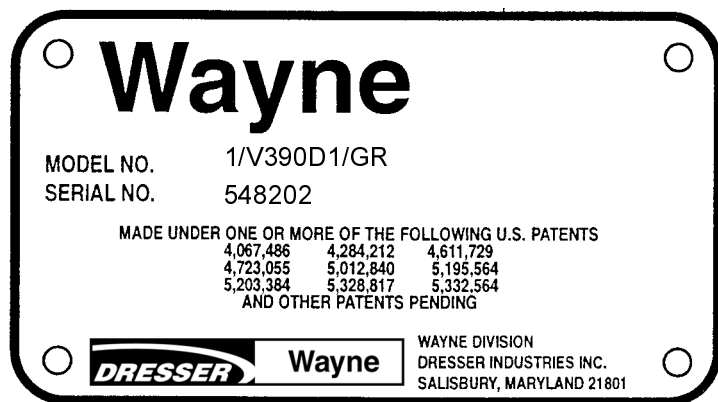
WAYNE ONLINE PARTS ORDERING [www.waynesby.com](http://www.waynesby.com)

HOW TO ORDER PARTS

To insure correct and prompt delivery of parts, furnish the serial number, model number and any existing code number on the dispenser serial plate, located on the left front base of the dispenser, a sample of which is shown below.

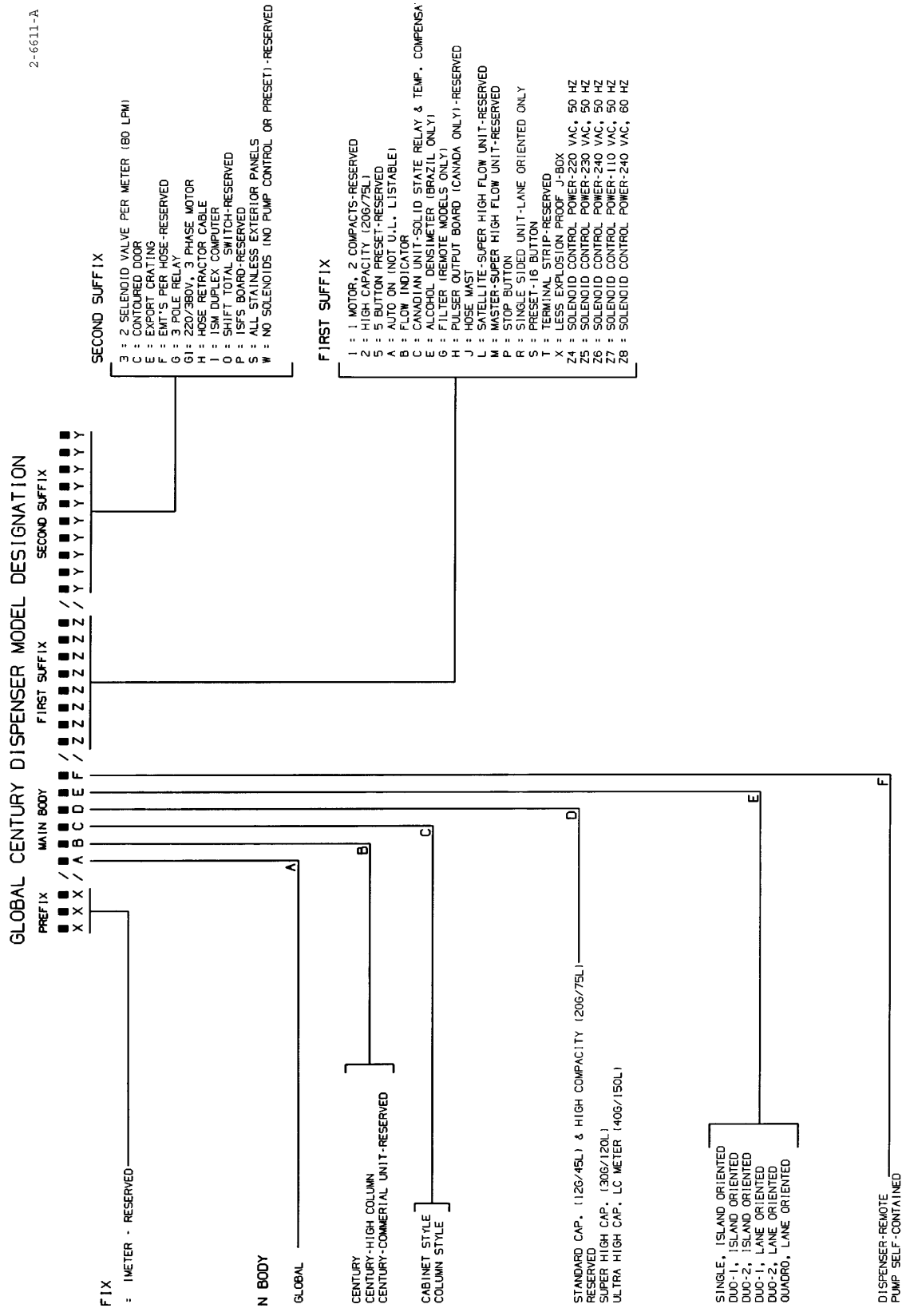
**When ordering parts supply the following information:**

- Serial number of dispenser
- Model number of dispenser
- Part number
- Description of the part
- Quantity desired



The Model and Serial Numbers above are examples only (1/V390 Shown).

**NOTE:** When ordering parts with particular company specifications such as doors, advertising panels and dial faces, please call our Service Parts Department at 1-512-218-6547 with specific dispenser model number and serial number. All warranty parts are to be ordered through local distributors.



**HOW TO USE GLOBAL CENTURY MODEL DESIGNATION CHART**

Example: **/G2001D/GS**

G = Global

2 = Century

0 = Cabinet Style

0 = Standard Capacity

1 = Single Island Oriented

D = Remote Dispenser

G = Filter

S = Preset 16 Button

**NOTE:** The Model Number is on the Serial Plate located on the front of the dispenser. See **“HOW TO ORDER PARTS”** on page v. for Serial Plate Location.



LIST OF TABLES

**Table of Contents** . . . . . **iii**

**Graphics Placement** . . . . . **1**

Table 1. 1-10293 - Graphics Placement, Global Century . . . . . 2

**Housing Module** . . . . . **3**

Table 2. 2-301744 - Hose Retractor Module, Lane . . . . . 4

Table 3. T01-517200-Can - Hose Hanger Module, G2001P . . . . . 4

Table 4. T04-517200-Can - Hose Hanger Module, G2002 . . . . . 4

Table 5. 5-301744 - Hose Retractor Module, G2203 . . . . . 6

Table 6. T01-517203-Can - Housing Module, G2001P & G2001D . . . . . 8

Table 7. T06-517203-Can - Housing Module, G2001P//H . . . . . 9

Table 8. T34-517203-Can - Housing Module, G2001P 220V . . . . . 10

Table 9. T03-517203-Can - Housing Module, G2002P & G2002D . . . . . 11

Table 10. T07-517203-Can - Housing Module, G2002P//H . . . . . 12

Table 11. T35-517203-Can - Housing Module, G2002P & G2003P 220V . . . . . 13

Table 12. T02 -517203-Can - Housing Module, G2003P & G2003D . . . . . 14

Table 13. T07-517203-ISL - Housing Module, G2003P 220V . . . . . 15

Table 14. T08-517203-Can - Housing Module, G2003P//H . . . . . 16

Table 15. T04-517203-Can - Housing Module, G2007P & G2007D . . . . . 17

Table 16. T09-517203-Can - Housing Module, G2203P//H & G2203D//H . . . . . 20

Table 17. T10-517203-Can - Housing Module, G2203P & G2203D . . . . . 21

**Hydraulics Module** . . . . . **23**

Table 18. T01-517205 - Hydraulics Module, G2001P . . . . . 24

Table 19. T17-517205-Can - Hydraulics Module, G2001P/2 . . . . . 25

Table 20. T24-517205-Can - Hydraulics Module, G2001P/Z4 220V . . . . . 26

Table 21. T02-517205-Can - Hydraulics Module, G2001D/G . . . . . 28

Table 22. T14-517205-Can - Hydraulics Module, G2001D/2G . . . . . 29

Table 23. T06-517205-Can - Hydraulics Module, G2002P . . . . . 32

Table 24. T20-517205-Can - Hydraulics Module, G2002P/2 . . . . . 33

Table 25. T32-517205-Can - Hydraulics Module, G2002P/Z4 220V . . . . . 34

Table 26. T18-517205-Can - Hydraulics Module, G2002G/2G . . . . . 36

Table 27. T07-517205-Can - Hydraulics Module, G2007D/G . . . . . 38

Table 28. T15-517205-Can - Hydraulics Module, G2007D/2G . . . . . 39

Table 29. T16-517205-Can - Hydraulics Module, G2007P/2 . . . . . 42

Table 30. T03-517205-Can - Hydraulics Module, G2003P . . . . . 44

Table 31. T03-517205-ISL - Hydraulics Module, G2003P/2 . . . . . 46

Table 32. T21-517205-Can - Hydraulics Module, G2003P/2 . . . . . 47

Table 33. T33-517205-Can - Hydraulics Module, G2003P/Z4 . . . . . 49

Table 34. T04-517205-Can - Hydraulics Module, G2003D/G . . . . . 52

Table 35. T19-517205-Can - Hydraulics Module, G2003D/2G . . . . . 53

Table 36. T22-517205-Can - Hydraulics Module, G2203P . . . . . 56

Table 37. T29-517205-Can - Hydraulics Module, G2203P/Z4 220V . . . . . 58

Table 38. T23-517205-Can - Hydraulics Module, G2203D/G . . . . . 62

Table 39. T30-517205-Can - Hydraulics Module, G2203/2G . . . . . 63

<b>Electrical Module</b> .....	<b>65</b>
Table 40. T01-517204-Can - Electrical Module, G2001P .....	66
Table 41. T02-517204 - Electrical Module, G2001D/G .....	67
Table 42. T22-517204-Can - Electrical Module, G2001P/Z4 220V .....	68
Table 43. T05-517204-Can - Electrical Module, G2002D/G .....	69
Table 44. T06-517204-Can - Electrical Module, G2002P .....	70
Table 45. T23-517204-Can - Electrical Module, G2002P/Z4 220V .....	71
Table 46. T07-517204-Can - Electrical Module, G2007D/G .....	72
Table 47. T08-517204-Can - Electrical Module, G2007P .....	73
Table 48. T03-517204-Can - Electrical Module, G2003P .....	74
Table 49. T04-517204-Can - Electrical Module, G2003D/G .....	75
Table 50. T24-517204-Can - Electrical Module, G2003P/Z4 220V .....	76
Table 51. T24-517204-ISL - Electrical Module, G2003P/Z4 220V .....	77
Table 52. T14-517204-Can - Electrical Module, G2203D/G .....	78
Table 53. T15-517204-Can - Electrical Module G2203P .....	79
Table 54. T21-517204-Can - Electrical Module, G2203P/Z4 220V .....	80
<b>Bezel Module</b> .....	<b>81</b>
Table 55. T01-517202-Can - Bezel Wrap Module, G2001P, G2001D .....	82
Table 56. 1-47961-F30 - Bezel Wrap Module, G2002P, G2002D .....	82
Table 57. T05-517202-Can - Bezel Wrap Module, G2001P/S, G2001D/S .....	82
Table 58. T02-517202-Can - Bezel Wrap Module, G2002P, G2002D, G2003P, G2003D .....	83
Table 59. T06-517202-Can - Bezel Wrap Module, G2007D/S .....	83
Table 60. T08-517202-Can - Bezel Wrap Module, G2003D/S .....	83
Table 61. T09-517202-Can - Bezel Wrap Module, G2001P/S/Z4 220V .....	86
Table 62. T10-517202-Can - Bezel Wrap Module, G2002P/Z4, G2003P/Z4 220V .....	86
Table 63. T07-517202-F30 - Bezel Wrap Module, G2003P, G2203 .....	86
Table 64. T07-517202-Can - Bezel Module Wrap, G2203P, G2203D .....	87
Table 65. T11-517202-Can - Bezel Wrap Module, G2203D .....	87
Table 66. T03-517202-Can - Bezel Wrap Module, G2007D, G2007P .....	90
<b>Electronic Head Module</b> .....	<b>91</b>
Table 67. 7-301252 - Relay & Suppressor Module, G2001P/Z4 220V .....	91
Table 68. 8-301252 - Relay & Suppressor Module, G2002P/Z4, G2003P/Z4 220V .....	91
Table 69. 10-301252 - Relay & Suppressor Module, G2003P/2HZ4/EG1 .....	91
Table 70. 13-301252 - Relay & Suppressor Module, G2203P .....	91
Table 71. 14-301252 - Relay & Suppressor Module, G2203P/Z4 220V .....	92
Table 72. T01-517215-Can - Relay & Suppressor Module, G2001P, G2002P, G2007P .....	92
Table 73. T02-517215-Can - Relay & Suppressor Module, G2003P .....	92
Table 74. 1-301705 - Preset Module, Duo 1, Duo2 .....	94
Table 75. 2-301705 - Preset Module, Single .....	94

LIST OF FIGURES

Figure 1. 1-10293 - Graphics Placement Drawing, Global Century ..... 1  
Figure 2. 1-301744-DWG - Hose Retractor / Hanger Module, Lane..... 3  
Figure 3. 4-301744-DWG - Hose retractor / Hanger Module, Island ..... 5  
Figure 4. 1-301707-DWG - Housing Module ..... 7  
Figure 5. 2-301707-DWG - Housing Module, Column..... 19  
Figure 6. 2-301706-DWG - Hydraulics Module, Single Suction Island ..... 23  
Figure 7. 5-301706-DWG - Hydraulics Module, Single Remote Island ..... 27  
Figure 8. 8-301706-DWG - Hydraulics Module, Duo 1 Suction Island ..... 31  
Figure 9. 7-301706-DWG - Hydraulics Module, Duo 1 Remote Island ..... 35  
Figure 10. 6-301706-DWG - Hydraulics Module, Duo 1 Remote Lane ..... 37  
Figure 11. 3-301706-DWG - Hydraulics Module, Duo 1 Suction Lane ..... 41  
Figure 12. 1-301706-DWG - Hydraulics Module, Duo 2 Suction Island ..... 43  
Figure 13. 4-301706-DWG - Hydraulics Module, Duo 2 Remote Island ..... 51  
Figure 14. 13-301706-DWG - Hydraulics Module, Duo 2 Suction Island Column ..... 55  
Figure 15. 16-301706-DWG - Hydraulics Module, Duo 2 Remote Island Column ..... 61  
Figure 16. 1-301704-DWG - Electrical Module ..... 65  
Figure 17. 1-47961-DWG - Bezel Wrap Module, Side Preset..... 81  
Figure 18. 15-47961-DWG - Bezel Wrap, Flip-up ..... 85  
Figure 19. 16-47961-DWG - Bezel Wrap, Flip-up ..... 85  
Figure 20. 2-47961-DWG - Bezel Wrap, Front Preset ..... 89  
Figure 21. 1-301705-DWG - Preset Module ..... 93

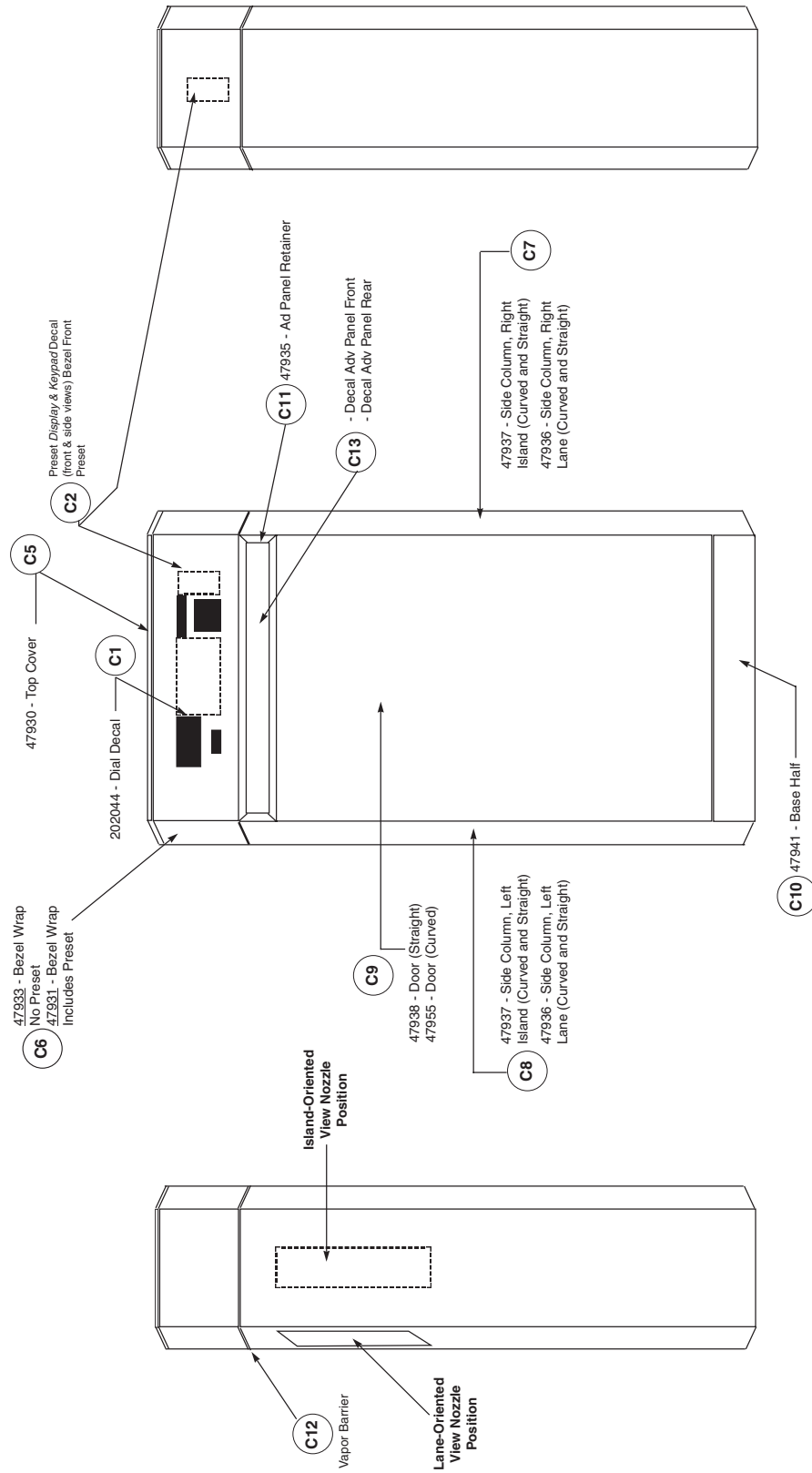


FIGURE 1. 1-10293 - GRAPHICS PLACEMENT DRAWING, GLOBAL CENTURY

**TABLE 1. 1-10293 - GRAPHICS PLACEMENT, GLOBAL CENTURY**

<b>Item No.</b>	<b>Part No.</b>	<b>Qty.</b>	<b>Description</b>
C1	-202044-	0.001	DIAL DECAL
C5	-047930-	0.001	COVER TOP
C6	-047931-	0.001	BEZEL WRAP INCLD. PRESET
	-047933-	0.001	WRAP BEZEL NO PRESET
C7	-047936-	0.001	COLUMN SIDE LANE
	-047937-		COLUMN SIDE
C8	-047936-	0.001	COLUMN SIDE LANE
	-047937-		COLUMN SIDE
C9	-047938-	0.001	DOOR STRAIGHT
	-047955-	0.001	DOOR CURVED
C10	-047941-	0.001	BASE HALF
C11	-047935-	0.001	RETAINER ADV PANEL

**NOTE: Many Module Drawings refer to the 1-10293 - Graphics Placement Drawing. The part numbers shown are a generic base part number. Call Wayne Service Parts (512) 218-6547 for specific part number.**

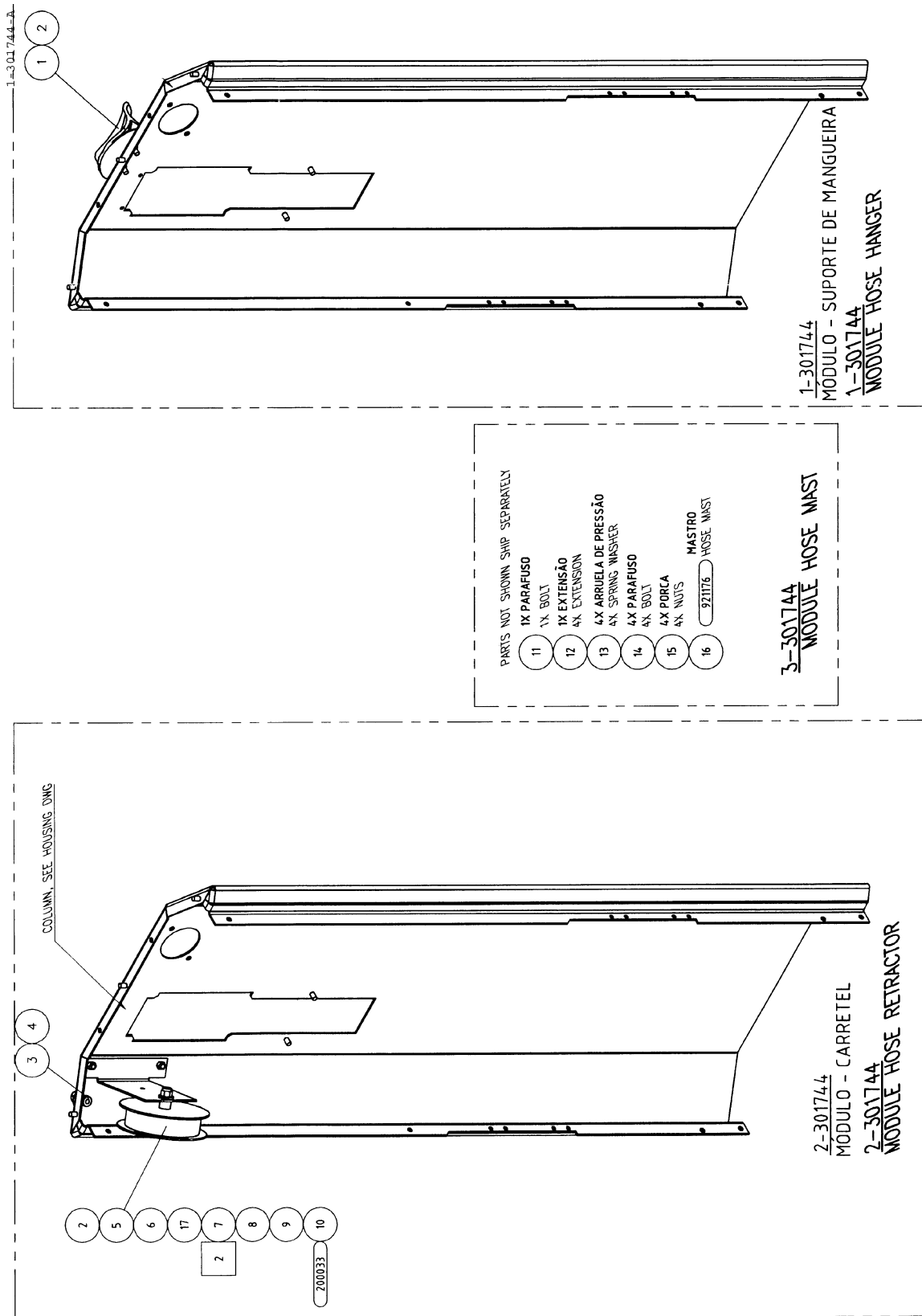


FIGURE 2. 1-301744-DWG - HOSE RETRACTOR / HANGER MODULE, LANE

**TABLE 2. 2-301744 - HOSE RETRACTOR MODULE, LANE**

Item No.	Part No.	Qty.	Description
	002-301744-		MOD,HOSE RETRACTOR
DWG	001-301744-DWG		MOD,HOSE RETRACTOR
	001-921192-	9	FLATWASHER ID 16MMXOD30MM
2	-918210-	2	HEX N1/4-20 STOP
3	001-301335-	1	GUIDE,CABLE
4	001-921175-	1	RING,RETAINING
5	001-301344-	1	SUPPORT,WIRE REEL
6	-039657-	1	WIRE REEL
7	003-126624-	1	CABLE HOSE RETRACTION

**TABLE 3. T01-517200-CAN - HOSE HANGER MODULE, G2001P**

Item No.	Part No.	Qty.	Description
	T01-517200-CAN		MOD,GC HOSE HANGER G2001P
DWG	001-301744-DWG		MOD,HOSE RETRACTOR
1	001-301337-	1	BRACKET HOSE SUPPORT
2	-918210-	2	HEX N1/4-20 STOP

**TABLE 4. T04-517200-CAN - HOSE HANGER MODULE, G2002**

Item No.	Part No.	Qty.	Description
	T04-517200-CAN		MOD,GC HOSE HANGER G2002
DWG	001-301744-DWG		MOD,HOSE RETRACTOR
1	001-301337-	2	BRACKET HOSE SUPPORT
2	-918210-	4	HEX N1/4-20 STOP

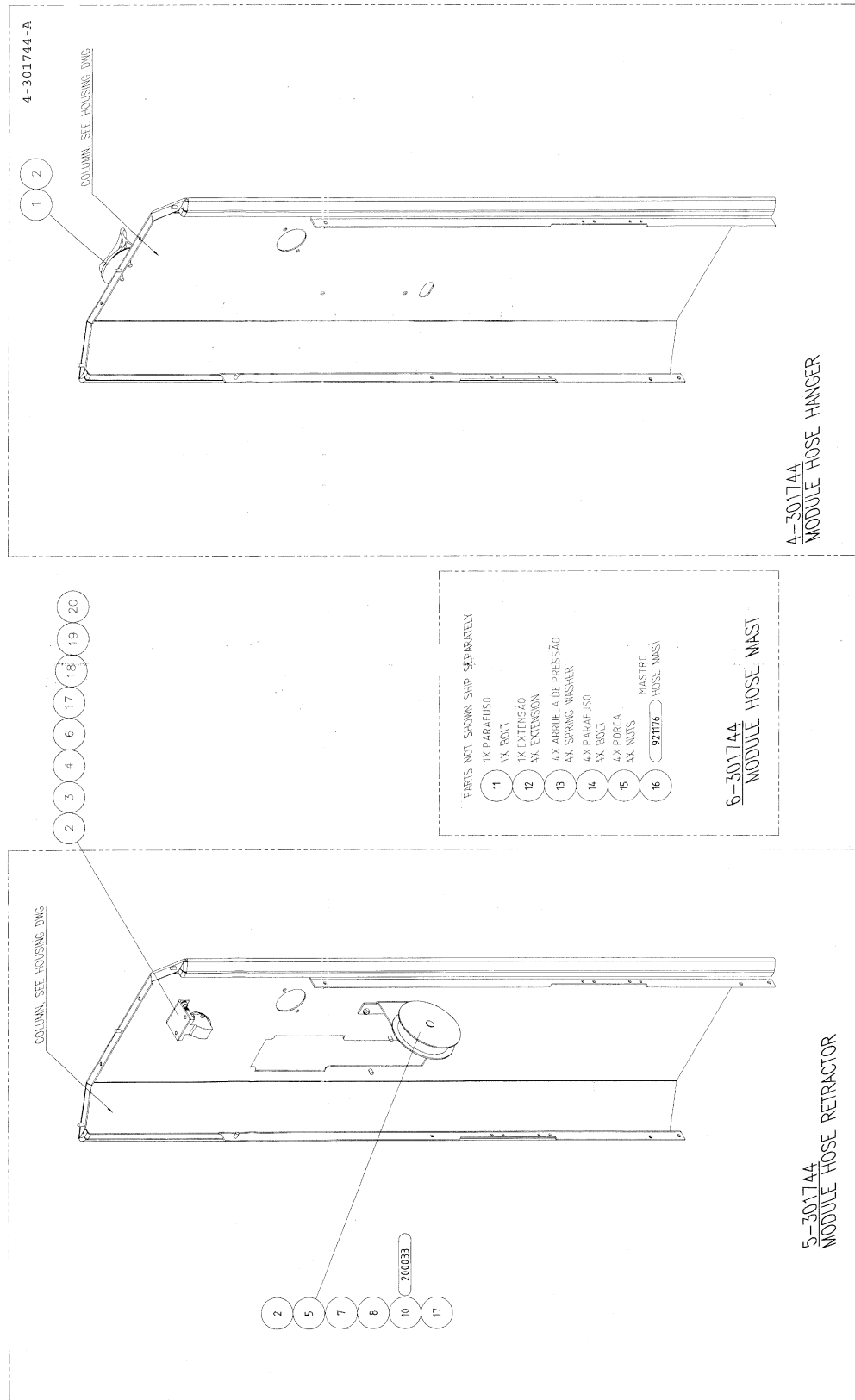


FIGURE 3. 4-301744-DWG - HOSE RETRACTOR / HANGER MODULE, ISLAND

**TABLE 5. 5-301744 - HOSE RETRACTOR MODULE, G2203**

<b>Item No.</b>	<b>Part No.</b>	<b>Qty.</b>	<b>Description</b>
	005-301744-		MOD,HOSE RETRACTOR G2203
DWG	004-301744-DWG		MOD,HOUSING
	-028000-	2	SUPT CAB ROLLER
	-039657-	2	WIRE REEL
	-117259-	2	PULLEY CABLE
	-117905-	2	SHAFT
	001-126624-	2	CABLE
	001-200033-	2	HOSE CLAMP ASSY
	001-301335-	2	GUIDE,CABLE
	001-301342-	2	BRACKET,WIRE REEL
	001-301343-	2	BRACKET,PULLEY SUPPORT
	-918210-	12	HEX N1/4-20 STOP
	001-921175-	2	RING,RETAINING
	001-921192-	2	FLATWASHER ID 16MMXOD30MM

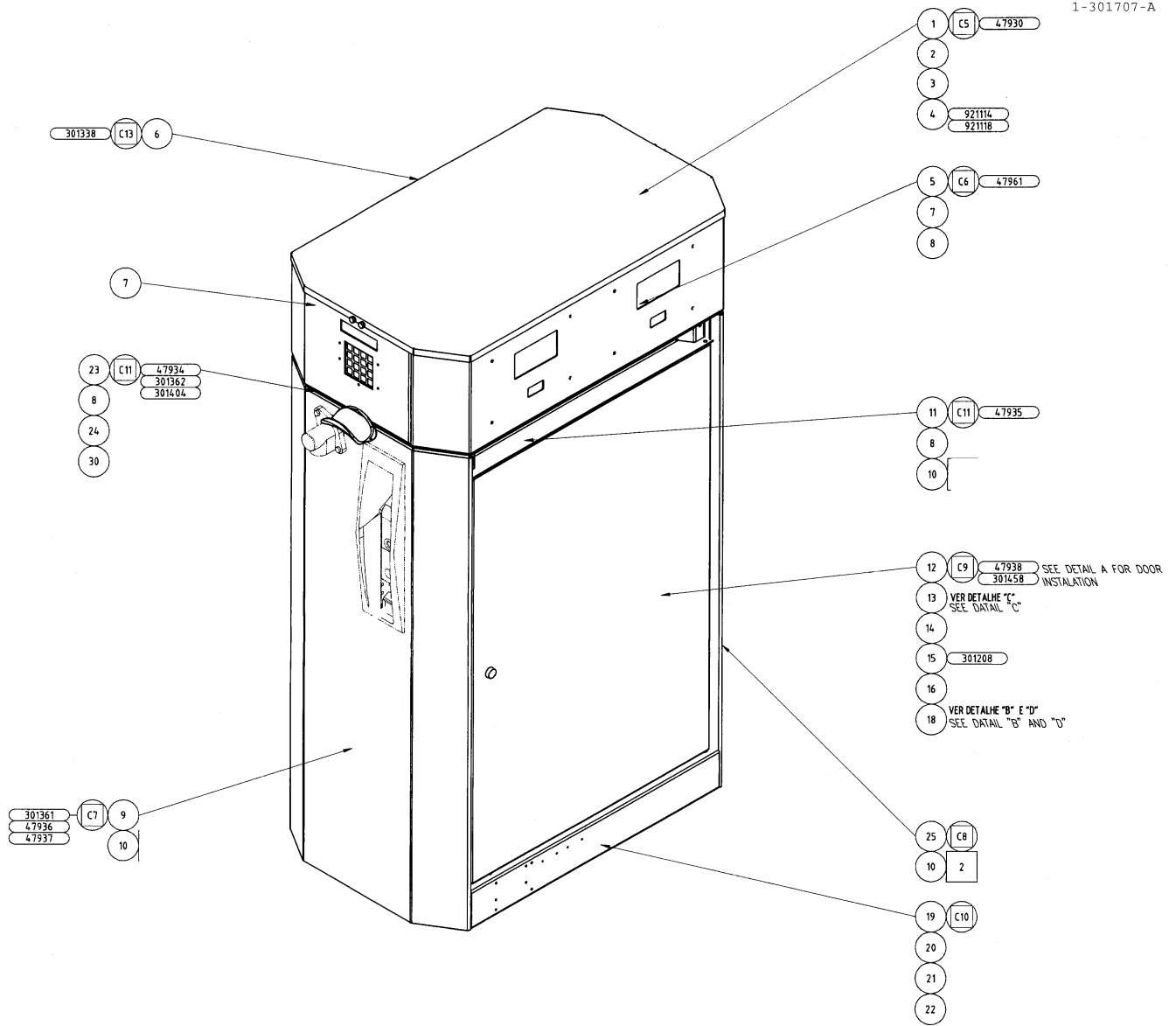


FIGURE 4. 1-301707-DWG - HOUSING MODULE

TABLE 6. T01-517203-CAN - HOUSING MODULE, G2001P & G2001D

Item No.	Part No.	Qty.	Description
	T01-517203-CAN		MOD,GC HOUSING G2001P,
	001-010293-00B		PLACEMENT,GRAPHICS
DWG	001-301707-DWG		MOD,HOUSING
1	001-047930-F30	1	COVER, TOP
2	-918177-	4	PHPH S#8-32X3/8
3	-905186-	1	KEY BAG 2-3/4X4 OR 3/5
4	001-921114-	4	SCREW,SDPHM #8-32X 3/8
7	001-301209-	2	GASKET,SEAL BEZEL WRAP
8	-918210-	28	HEX N1/4-20 STOP
9	001-047937-J21	1	COLUMN,SIDE,ISLAND
10	-916202-		SILASTIC SEALANT
11	001-047935-J21	2	RETAINER, ADV PANEL VAP B
12	001-047938-0W7	2	DOOR
13	005-129818-	4	GASKET
14	-127417-	2	LOCK
15	001-301208-	2	LATCH,DOOR LOCK
16	001-921117-	2	SCREW,PHPH M5 X .8 X 20MM
18	-128993-	4	BUTTON HEAD DART
19	001-047941-J21	2	HALF,BASE
20	001-921115-	2	WELL-NUT,NP1032 M5 X 0.8
21	-511781-	2	FLAT W7/16X1X.070/.090CD
22	-916695-	8	TTWA S1/4-20X7/8 UNSLOT
23	002-047934-F30	1	BARRIER,VAPOR
24	001-130016-	1	GASKET,VAPOR BARRIER
25	007-047937-J21	1	COLUMN,SIDE,BLANK
26	003-513516-	2	BOLT,CAR 3/8-16 X 1-1/2"
27	-511275-	2	HEX N3/8-16 FINISHED
28	001-301457-	1	CRATE,SHIPPING EXPORT
29	-920336-	1	INSTALL/OPER,CENTURY SUCT

**TABLE 7. T06-517203-CAN - HOUSING MODULE, G2001P//H**

Item No.	Part No.	Qty.	Description
	T06-517203-CAN		MOD,HOUSING,G2001P//H
	001-010293-00B		PLACEMENT,GRAPHICS
DWG	001-301707-DWG		MOD,HOUSING
1	001-047930-F80	1	COVER, TOP
2	-918177-	4	PHPH S#8-32X3/8
3	-905186-	1	KEY BAG 2-3/4X4 OR 3/5
4	001-921114-	4	SCREW,SDPHM #8-32X 3/8
7	001-301209-	2	GASKET,SEAL BEZEL WRAP
8	-918210-	28	HEX N1/4-20 STOP
9	003-047937-J21	1	COLUMN,SIDE,ISLAND RETRA.
10	-916202-		SILASTIC SEALANT
11	001-047935-J21	2	RETAINER, ADV PANEL VAP B
12	001-047938-0W7	2	DOOR
13	005-129818-	4	GASKET
14	-127417-	2	LOCK
15	001-301208-	2	LATCH,DOOR LOCK
16	001-921117-	2	SCREW,PHPH M5 X .8 X 20MM
18	-128993-	4	BUTTON HEAD DART
19	001-047941-J21	2	HALF,BASE
20	001-921115-	2	WELL-NUT,NP1032 M5 X 0.8
21	-511781-	2	FLAT W7/16X1X.070/.090CD
22	-916695-	8	TTWA S1/4-20X7/8 UNSLOT
23	002-047934-F80	1	BARRIER,VAPOR
24	001-130016-	1	GASKET,VAPOR BARRIER
25	007-047937-J21	1	COLUMN,SIDE,BLANK
26	003-513516-	2	BOLT,CAR 3/8-16 X 1-1/2"
27	-511275-	2	HEX N3/8-16 FINISHED
28	001-301457-	1	CRATE, SHIPPING EXPORT
29	-920336-	1	INSTALL/OPER,CENTURY SUCT

TABLE 8. T34-517203-CAN - HOUSING MODULE, G2001P 220V

Item No.	Part No.	Qty.	Description
	T34-517203-CAN		MOD,HOUSING,C/W W7 VAPOR
	001-010293-00B		PLACEMENT,GRAPHICS
DWG	001-301707-DWG		MOD,HOUSING
	001-047935-J21	2	RETAINER, ADV PANEL VAP B
	001-047937-J21	1	COLUMN,SIDE,ISLAND
	007-047937-J21	1	COLUMN,SIDE,BLANK
	001-047938-0W7	2	DOOR
	001-047941-J21	2	HALF,BASE
	-127417-	2	LOCK
	-128993-	4	BUTTON HEAD DART
	-129811-	2	CAP - HINGE RETAINER
	001-130016-	8	GASKET,VAPOR BARRIER
	001-301208-	2	LATCH,DOOR LOCK
	001-301209-	2	GASKET,SEAL BEZEL WRAP
	001-301373-0W7	1	TOP COVER, WHITE
	002-301434-0W7	1	BARRIER,VAPOR FLIP-UP BEZ
	001-301707-DWG		MOD,HOUSING
	-511275-	2	HEX N3/8-16 FINISHED
	-511781-	2	FLAT W7/16X1X.070/.090CD
	003-513516-	2	BOLT,CAR 3/8-16 X 1-1/2"
	002-513757-	1	BAG-PLASTIC-42X28X60
	-513804-		CALKSTRIP - 12" X 7/32"
	002-517045-CAN	1	SHIPPING BASE
	005-517049-CAN	1	CRATE,WODDEN PUMP G2000
	-905186-	1	KEY BAG 2-3/4X4 OR 3/5
	-918177-	4	PHPH S#8-32X3/8
	-918210-	28	HEX N1/4-20 STOP
	-918513-	8	SCREW,SHAKEPROOF TAP/R TH
	-920336-001	1	INSTALLATION MANUAL,SPNSH
	001-921114-	4	SCREW,SDPHM #8-32X 3/8
	001-921115-	2	WELL-NUT,NP1032 M5 X 0.8
	001-921117-	2	SCREW,PHPH M5 X .8 X 20MM

**TABLE 9. T03-517203-CAN - HOUSING MODULE, G2002P & G2002D**

Item No.	Part No.	Qty.	Description
	T03-517203-CAN		MOD,HOUSING,G2002P AND
	001-010293-00B		PLACEMENT,GRAPHICS
DWG	001-301707-DWG		MOD,HOUSING
1	001-047930-F30	1	COVER, TOP
2	-918177-	4	PHPH S#8-32X3/8
3	-905186-	1	KEY BAG 2-3/4X4 OR 3/5
4	001-921114-	4	SCREW,SDPHM #8-32X 3/8
7	001-301209-	2	GASKET,SEAL BEZEL WRAP
8	-918210-	28	HEX N1/4-20 STOP
9	001-047937-J21	2	COLUMN,SIDE,ISLAND
10	-916202-		SILASTIC SEALANT
11	001-047935-J21	2	RETAINER, ADV PANEL VAP B
12	001-047938-0W7	2	DOOR
13	005-129818-	4	GASKET
14	-127417-	2	LOCK
15	001-301208-	2	LATCH,DOOR LOCK
16	001-921117-	2	SCREW,PHPH M5 X .8 X 20MM
18	-128993-	4	BUTTON HEAD DART
19	001-047941-J21	2	HALF,BASE
20	001-921115-	2	WELL-NUT,NP1032 M5 X 0.8
21	-511781-	2	FLAT W7/16X1X.070/.090CD
22	-916695-	8	TTWA S1/4-20X7/8 UNSLOT
23	001-047934-F30	1	BARRIER,VAPOR
24	001-130016-	1	GASKET,VAPOR BARRIER
26	003-513516-	2	BOLT,CAR 3/8-16 X 1-1/2"
27	-511275-	2	HEX N3/8-16 FINISHED
28	001-301457-	1	CRATE, SHIPPING EXPORT
29	-920336-	1	INSTALL/OPER,CENTURY SUCT

**TABLE 10. T07-517203-CAN - HOUSING MODULE, G2002P//H**

Item No.	Part No.	Qty.	Description
	T07-517203-CAN		MOD,HOUSING,G2002P//H
	001-010293-00B		PLACEMENT,GRAPHICS
DWG	001-301707-DWG		MOD,HOUSING
1	001-047930-F80	1	COVER, TOP
2	-918177-	4	PHPH S#8-32X3/8
3	-905186-	1	KEY BAG 2-3/4X4 OR 3/5
4	001-921114-	4	SCREW,SDPHM #8-32X 3/8
7	001-301209-	2	GASKET,SEAL BEZEL WRAP
8	-918210-	28	HEX N1/4-20 STOP
9	003-047937-J21	2	COLUMN,SIDE,ISLAND RETRA.
10	-916202-		SILASTIC SEALANT
11	001-047935-J21	2	RETAINER, ADV PANEL VAP B
12	001-047938-0W7	2	DOOR
13	005-129818-	4	GASKET
14	-127417-	2	LOCK
15	001-301208-	2	LATCH,DOOR LOCK
16	001-921117-	2	SCREW,PHPH M5 X .8 X 20MM
18	-128993-	4	BUTTON HEAD DART
19	001-047941-J21	2	HALF,BASE
20	001-921115-	2	WELL-NUT,NP1032 M5 X 0.8
21	-511781-	2	FLAT W7/16X1X.070/.090CD
22	-916695-	8	TTWA S1/4-20X7/8 UNSLOT
23	001-047934-F80	1	BARRIER,VAPOR
24	001-130016-	1	GASKET,VAPOR BARRIER
26	003-513516-	2	BOLT,CAR 3/8-16 X 1-1/2"
27	-511275-	2	HEX N3/8-16 FINISHED
28	001-301457-	1	CRATE,SHIPPING EXPORT
29	-920336-	1	INSTALL/OPER,CENTURY SUCT

**TABLE 11. T35-517203-CAN - HOUSING MODULE, G2002P & G2003P 220V**

Item No.	Part No.	Qty.	Description
	T35-517203-CAN		MOD,HOUSING,C/W W7 VAPOR
	001-010293-00B		PLACEMENT,GRAPHICS
DWG	001-301707-DWG		MOD,HOUSING
	001-047935-J21	2	RETAINER, ADV PANEL VAP B
	001-047937-J21	2	COLUMN,SIDE,ISLAND
	001-047938-0W7	2	DOOR
	001-047941-J21	2	HALF,BASE
	-127417-	2	LOCK
	-128993-	4	BUTTON HEAD DART
	-129811-	2	CAP - HINGE RETAINER
	001-130016-	8	GASKET,VAPOR BARRIER
	001-301208-	2	LATCH,DOOR LOCK
	001-301209-	2	GASKET,SEAL BEZEL WRAP
	001-301373-0W7	1	TOP COVER,WHITE
	001-301434-0W7	1	BARRIER,VAPOR FLIP-UP BEZ
	-511275-	2	HEX N3/8-16 FINISHED
	-511781-	2	FLAT W7/16X1X.070/.090CD
	003-513516-	2	BOLT,CAR 3/8-16 X 1-1/2"
	002-513757-	1	BAG-PLASTIC-42X28X60
	-513804-	1	CALKSTRIP - 12" X 7/32"
	002-517045-CAN	1	SHIPPING BASE
	005-517049-CAN	1	CRATE,WODDEN PUMP G2000
	-905186-	1	KEY BAG 2-3/4X4 OR 3/5
	-918177-	4	PHPH S#8-32X3/8
	-918210-	28	HEX N1/4-20 STOP
	-918513-	8	SCREW,SHAKEPROOF TAP/R TH
	-920336-001	1	INSTALLATION MANUAL,SPNSH
	001-921114-	4	SCREW,SDPHM #8-32X 3/8
	001-921115-	2	WELL-NUT,NP1032 M5 X 0.8
	001-921117-	2	SCREW,PHPH M5 X .8 X 20MM

**TABLE 12. T02 -517203-CAN - HOUSING MODULE, G2003P & G2003D**

Item No.	Part No.	Qty.	Description
	T02-517203-CAN		MOD,GC HOUSING G2003P,
	001-010293-00B		PLACEMENT,GRAPHICS
DWG	001-301707-DWG		MOD,HOUSING
1	001-047930-F30	1	COVER, TOP
2	-918177-	4	PHPH S#8-32X3/8
3	-905186-	1	KEY BAG 2-3/4X4 OR 3/5
4	001-921114-	4	SCREW,SDPHM #8-32X 3/8
7	001-301209-	2	GASKET,SEAL BEZEL WRAP
8	-918210-	28	HEX N1/4-20 STOP
9	001-047937-J21	2	COLUMN,SIDE,ISLAND
10	-916202-		SILASTIC SEALANT
11	001-047935-J21	2	RETAINER, ADV PANEL VAP B
12	001-047938-0W7	2	DOOR
13	005-129818-	4	GASKET
14	-127417-	2	LOCK
15	001-301208-	2	LATCH,DOOR LOCK
16	001-921117-	2	SCREW,PHPH M5 X .8 X 20MM
18	-128993-	4	BUTTON HEAD DART
19	001-047941-J21	2	HALF,BASE
20	001-921115-	2	WELL-NUT,NP1032 M5 X 0.8
21	-511781-	2	FLAT W7/16X1X.070/.090CD
22	-916695-	8	TTWA S1/4-20X7/8 UNSLOT
23	001-047934-F30	1	BARRIER,VAPOR
24	001-130016-	1	GASKET,VAPOR BARRIER
26	003-513516-	2	BOLT,CAR 3/8-16 X 1-1/2"
27	-511275-	2	HEX N3/8-16 FINISHED
28	001-301457-	1	CRATE,SHIPPING EXPORT
29	-920336-	1	INSTALL/OPER,CENTURY SUCT

TABLE 13. T07-517203-ISL - HOUSING MODULE, G2003P 220V

Item No.	Part No.	Qty.	Description
	T07-517203-ISL		MOD,HOUS.,G2003,RETRACTOR
	001-010293-00B		PLACEMENT,GRAPHICS
DWG	001-301707-DWG		MOD,HOUSING
	001-047935-J21	2	RETAINER, ADV PANEL VAP B
	003-047937-J21	2	COLUMN,SIDE,ISLAND RETRA.
	001-047941-J21	2	HALF,BASE
	-127417-	22	LOCK
	-128993-	4	BUTTON HEAD DART
	-129811-	2	CAP - HINGE RETAINER
	001-130016-	8	GASKET,VAPOR BARRIER
	001-301208-	2	LATCH,DOOR LOCK
	001-301209-	2	GASKET,SEAL BEZEL WRAP
	001-301373-F30	1	COVER TOP,FLIP-UP BEZEL,G
	001-301434-J21	1	BARRIER,VAPOR BLACK,DUO
	-511275-	2	HEX N3/8-16 FINISHED
	-511781-	2	FLAT W7/16X1X.070/.090CD
	003-513516-	2	BOLT,CAR 3/8-16 X 1-1/2"
	002-513757-	1	BAG-PLASTIC-42X28X60
	-513804-		CALKSTRIP - 12" X 7/32"
	005-517049-CAN	1	CRATE,WODDEN PUMP G2000
	-905186-	1	KEY BAG 2-3/4X4 OR 3/5
	-918177-	4	PHPH S#8-32X3/8
	-918210-	28	HEX N1/4-20 STOP
	-918513-	8	SCREW,SHAKEPROOF TAP/R TH
	-920336-	1	INSTALL/OPER,CENTURY SUCT
	001-921114-	4	SCREW,SDPHM #8-32X 3/8
	001-921115-	2	WELL-NUT,NP1032 M5 X 0.8
	001-921117-	2	SCREW,PHPH M5 X .8 X 20MM

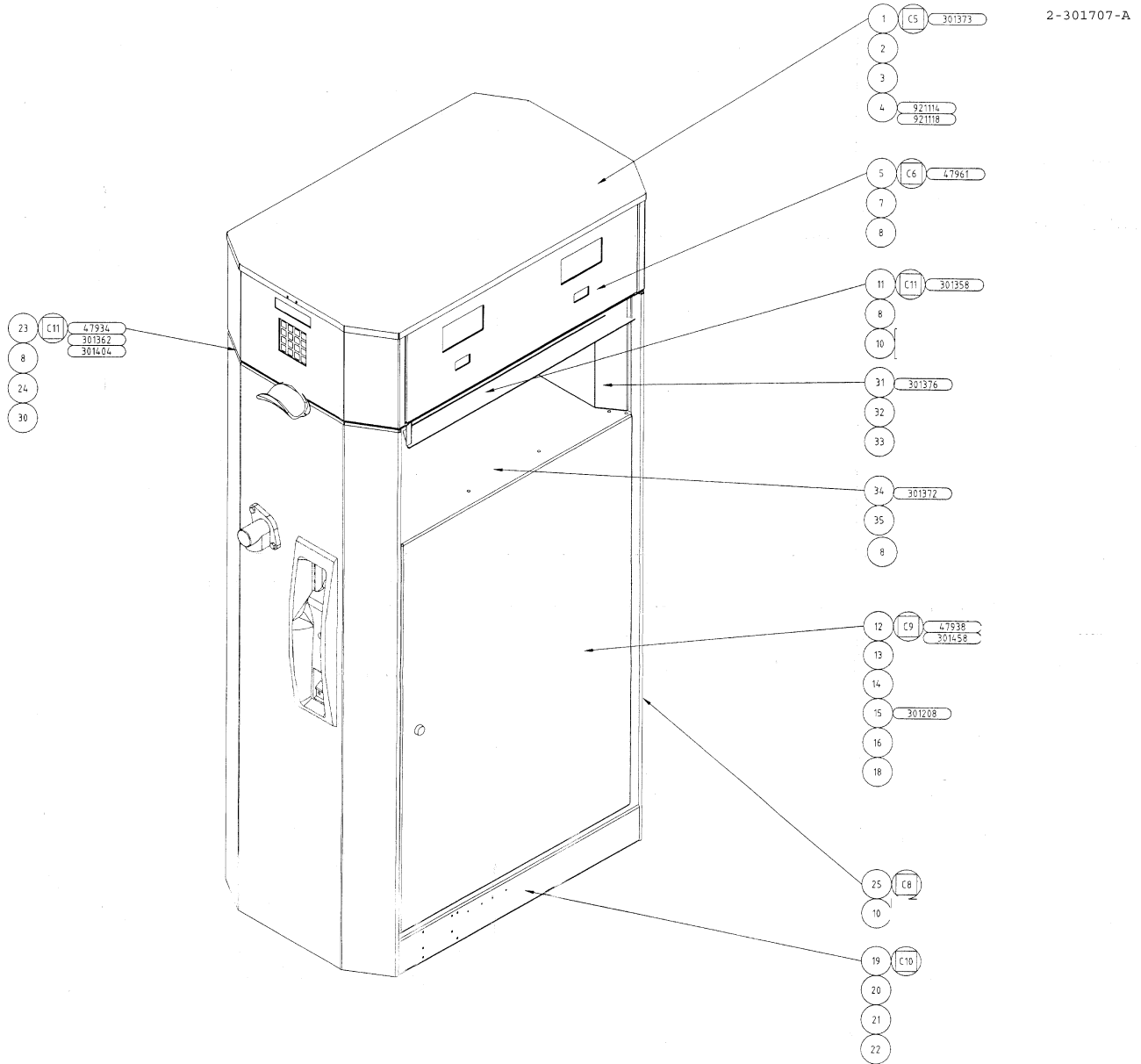
**TABLE 14. T08-517203-CAN - HOUSING MODULE, G2003P//H**

Item No.	Part No.	Qty.	Description
	T08-517203-CAN		MOD,HOUSING,G2003P//H
	001-010293-00B		PLACEMENT,GRAPHICS
DWG	001-301707-DWG		MOD,HOUSING
1	001-047930-F80	1	COVER, TOP
2	-918177-	4	PHPH S#8-32X3/8
3	-905186-	1	KEY BAG 2-3/4X4 OR 3/5
4	001-921114-	4	SCREW,SDPHM #8-32X 3/8
7	001-301209-	2	GASKET,SEAL BEZEL WRAP
8	-918210-	28	HEX N1/4-20 STOP
9	003-047937-J21	2	COLUMN,SIDE,ISLAND RETRA.
10	-916202-		SILASTIC SEALANT
11	001-047935-J21	2	RETAINER, ADV PANEL VAP B
12	001-047938-0W7	2	DOOR
13	005-129818-	4	GASKET
14	-127417-	2	LOCK
15	001-301208-	2	LATCH,DOOR LOCK
16	001-921117-	2	SCREW,PHPH M5 X .8 X 20MM
18	-128993-	4	BUTTON HEAD DART
19	001-047941-J21	2	HALF,BASE
20	001-921115-	2	WELL-NUT,NP1032 M5 X 0.8
21	-511781-	2	FLAT W7/16X1X.070/.090CD
22	-916695-	8	TTWA S1/4-20X7/8 UNSLOT
23	001-047934-F80	1	BARRIER,VAPOR
24	001-130016-	1	GASKET,VAPOR BARRIER
26	003-513516-	2	BOLT,CAR 3/8-16 X 1-1/2"
27	-511275-	2	HEX N3/8-16 FINISHED
28	001-301457-	1	CRATE,SHIPPING EXPORT
29	-920336-	1	INSTALL/OPER,CENTURY SUCT

**TABLE 15. T04-517203-CAN - HOUSING MODULE, G2007P & G2007D**

Item No.	Part No.	Qty.	Description
	T04-517203-CAN		MOD,HOUSING G2007P&G2007D
	001-010293-00B		PLACEMENT,GRAPHICS
DWG	001-301707-DWG		MOD,HOUSING
1	001-047930-F30	1	COVER, TOP
2	-918177-	4	PHPH S#8-32X3/8
3	-905186-	1	KEY BAG 2-3/4X4 OR 3/5
4	001-921114-	4	SCREW,SDPHM #8-32X 3/8
7	001-301209-	2	GASKET,SEAL BEZEL WRAP
8	-918210-	28	HEX N1/4-20 STOP
9	001-047936-J21	2	COLUMN,SIDE LANE
10	-916202-		SILASTIC SEALANT
11	001-047935-J21	2	RETAINER, ADV PANEL VAP B
12	001-047938-0W7	2	DOOR
13	005-129818-	4	GASKET
14	-127417-	2	LOCK
15	001-301208-	2	LATCH,DOOR LOCK
16	001-921117-	2	SCREW,PHPH M5 X .8 X 20MM
18	-128993-	4	BUTTON HEAD DART
19	001-047941-J21	2	HALF,BASE
20	001-921115-	2	WELL-NUT,NP1032 M5 X 0.8
21	-511781-	2	FLAT W7/16X1X.070/.090CD
22	-916695-	8	TTWA S1/4-20X7/8 UNSLOT
23	001-047934-F30	1	BARRIER,VAPOR
24	001-130016-	1	GASKET,VAPOR BARRIER
26	003-513516-	2	BOLT,CAR 3/8-16 X 1-1/2"
27	-511275-	2	HEX N3/8-16 FINISHED
28	001-301457-	1	CRATE, SHIPPING EXPORT
29	-920336-	1	INSTALL/OPER,CENTURY SUCT





**FIGURE 5. 2-301707-DWG - HOUSING MODULE, COLUMN**

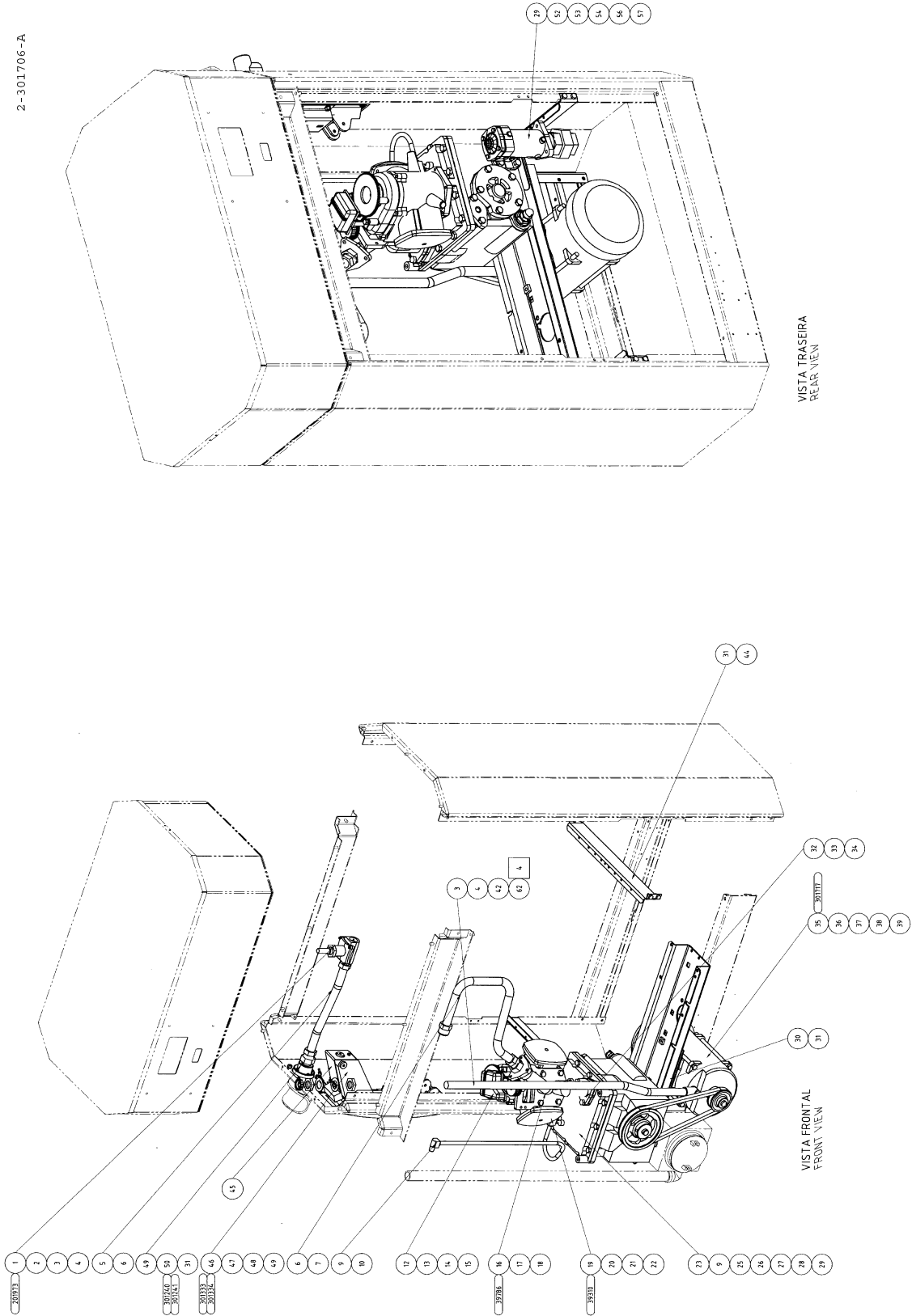
**TABLE 16. T09-517203-CAN - HOUSING MODULE, G2203P//H & G2203D//H**

Item No.	Part No.	Qty.	Description
	T09-517203-CAN		MOD,HOUSING RETRACTOR
	001-010293-00B		PLACEMENT,GRAPHICS
DWG	002-301707-DWG		MODULE DRAWING
	001-047938-0W7	2	DOOR
	001-047941-J21	2	HALF,BASE
	-127417-	2	LOCK
	-128993-	4	BUTTON HEAD DART
	-129818-001		GASKET
	001-130016-RAW		GASKET,VAPOR BARRIER 25"L
	001-301208-	2	LATCH,DOOR LOCK
	006-301356-J21	2	COLUMN ISLAND,HOSE HANGER
	001-301358-J21	2	AD PANEL BLACK
	003-301359-0W7	1	VAPOR BARRIER, WHITE
	001-301372-J21	1	COVER HYDRAULIC
	001-301373-0W7	1	TOP COVER, WHITE
	001-301376-J21	2	SIDE PANEL,NO PRESET
	001-301378-	2	SUPPORT
	-511275-	2	HEX N3/8-16 FINISHED
	-511781-	2	FLAT W7/16X1X.070/.090CD
	003-513516-	2	BOLT,CAR 3/8-16 X 1-1/2"
	002-517045-CAN	1	SHIPPING BASE
	006-517049-CAN	1	SHIPPING CARTON
	003-517050-CAN	1	SCORED SHEET
	-905186-	1	KEY BAG 2-3/4X4 OR 3/5
	-916202-		SILASTIC SEALANT
	-916695-	8	TTWA S1/4-20X7/8 UNSLOT
	-916760-	8	WAHH S#8X1/2 T/A WAX CD
	-918177-	4	PHPH S#8-32X3/8
	-918210-	40	HEX N1/4-20 STOP
	-918590-	8	PLASTIC THREAD INSERT
	-920336-001	1	INSTALLATION MANUAL,SPNSH
	001-921114-	4	SCREW,SDPHM #8-32X 3/8
	001-921115-	2	WELL-NUT,NP1032 M5 X 0.8
	001-921117-	2	SCREW,PHPM M5 X .8 X 20MM

TABLE 17. T10-517203-CAN - HOUSING MODULE, G2203P & G2203D

Item No.	Part No.	Qty.	Description
	T10-517203-CAN		MOD,HOUSING,HOSE HANGER
	001-010293-00B		PLACEMENT,GRAPHICS
DWG	002-301707-DWG		MODULE DRAWING
	001-047938-0W7	2	DOOR
	002-047941-J21	2	HALF,BASE
	-127417-	2	LOCK
	-128993-	4	BUTTON HEAD DART
	-129818-001		GASKET
	001-130016-RAW		GASKET,VAPOR BARRIER 25"L
	001-301208-	2	LATCH,DOOR LOCK
	002-301356-J21	2	COLUMN ISLAND,HOSE HANGER
	001-301358-J21	2	AD PANEL BLACK
	003-301359-0W7	1	VAPOR BARRIER, WHITE
	001-301372-J21	1	COVER HYDRAULIC
	001-301373-0W7	1	TOP COVER, WHITE
	001-301376-J21	2	SIDE PANEL,NO PRESET
	001-301378-	2	SUPPORT
	-511275-	2	HEX N3/8-16 FINISHED
	-511781-	2	FLAT W7/16X1X.070/.090CD
	003-513516-	2	BOLT,CAR 3/8-16 X 1-1/2"
	002-517045-CAN	1	SHIPPING BASE
	006-517049-CAN	1	SHIPPING CARTON
	003-517050-CAN	1	SCORED SHEET
	-905186-	1	KEY BAG 2-3/4X4 OR 3/5
	-916202-		SILASTIC SEALANT
	-916695-	8	TTWA S1/4-20X7/8 UNSLOT
	-918177-	4	PHPH S#8-32X3/8
	-918210-	40	HEX N1/4-20 STOP
	-918590-	8	PLASTIC THREAD INSERT
	-918760-	8	SCREW,SET #8-32 X 3/16
	-920336-001	1	INSTALLATION MANUAL,SPNSH
	001-921114-	4	SCREW,SDPHM #8-32X 3/8
	001-921115-	2	WELL-NUT,NP1032 M5 X 0.8
	001-921117-	2	SCREW,PHPH M5 X .8 X 20MM





**FIGURE 6. 2-301706-DWG - HYDRAULICS MODULE, SINGLE SUCTION ISLAND**

TABLE 18. T01-517205 - HYDRAULICS MODULE, G2001P

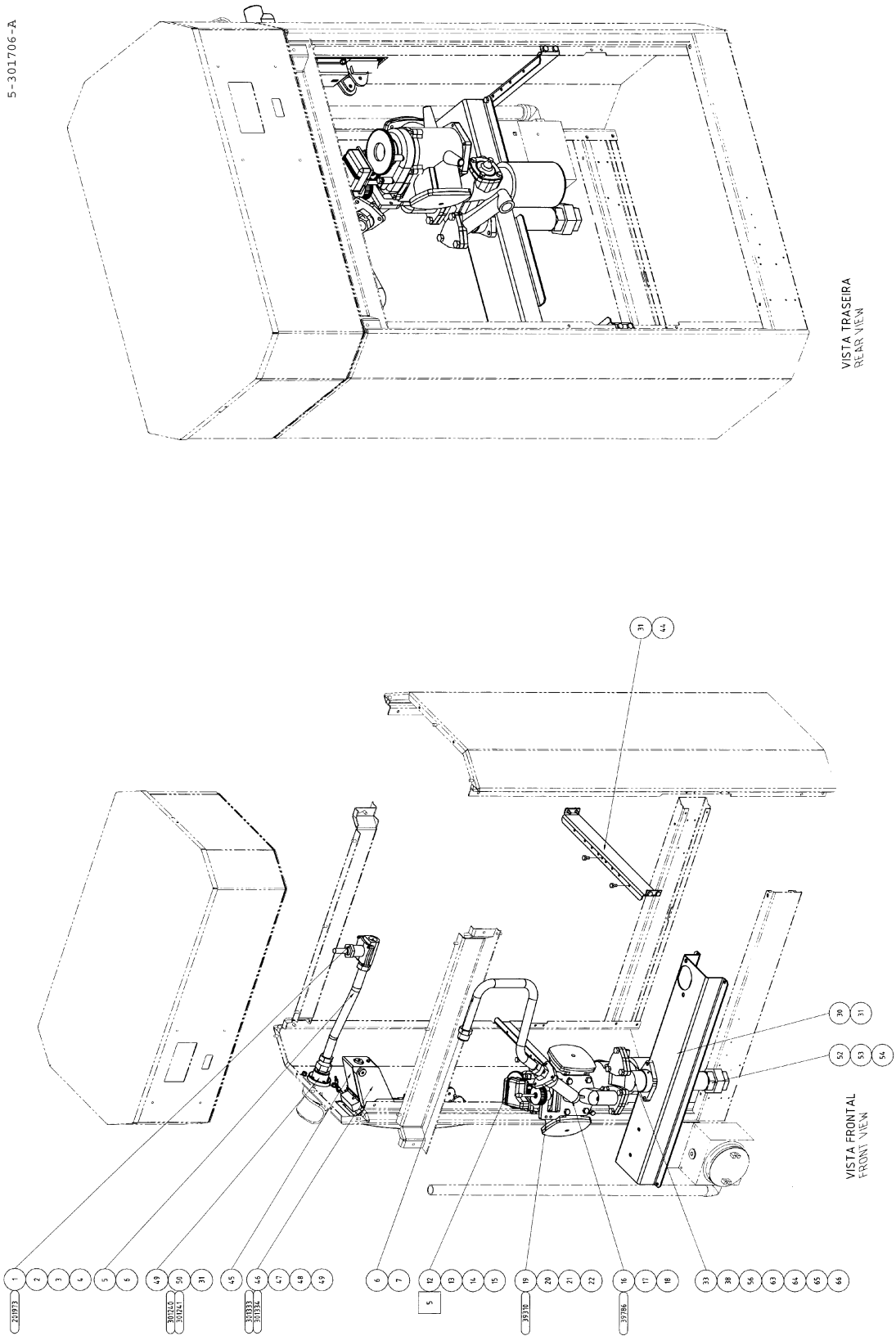
Item No.	Part No.	Qty.	Description
	T01-517205-CAN		MOD,HYDRAULIC G2001P
DWG	002-301706-DWG		MOD,HYD SUCT GLOBAL CEN.
1	001-201973-	1	ASSY-COIL
2	003-301031-	1	VALVE,2 STAGE EXT. SLEEVE
3	005-129498-	3	LOCKNUT,CONDUIT
4	-126817-	4	WASHER-FLAT CAN
5	001-301024-	1	CONDUIT,VALVE ASSY
6	-129762-	4	WASHER-FLARE
7	001-301203-	1	TUBE,METER TO VALVE L.H.
9	-907070-	2	ELBO M3/8X1/4X90INV FLARE
10	001-301205-	1	TUBE,ASSY VENT CPU/BOOT
12	001-300817-	1	PULSER,ASSY <a href="#">SEE SHARED ASSY MAN P/N 920345</a>
13	003-127798-	2	SCREW,SEAL
14	-916702-		SEAL WIRE
15	-916703-	1	SEAL LEAD
16	072-039786-	1	SUPPORT,METER ASSY & TOTE <a href="#">SEE SHARED ASSY MAN P/N 920345</a>
17	-918224-	1	CONN M7/8STR INVERT
18	-511096-	4	HHC S5/16-18X7/8
19	023-039310-	1	ASSY-METER 2PM-6K <a href="#">SEE SHARED ASSY MAN P/N 920345</a>
20	-300314-	1	ASSY. CHK. & PR. REL. VAL
21	-120722-	1	O RING
22	-120723-	1	O RING
23	004-047579-	1	ASSY. COMPACT PUMP(US) <a href="#">SEE SHARED ASSY MAN P/N 920345</a>
25	-201905-	1	PULLEY,STEEL STAMPING
26	-115550-	1	KEY,WOODRUFF #606 ANSI
27	-511670-	1	JAM N5/8-18 HEX ZN
28	-918856-	1	BELT,PLUS V, POWER TWIST
29	003-918621-	7	SCREW, HHC M8 X 18MM
30	001-047940-	1	PLATFORM,HYDRAULICS
31	-916695-	14	TTWA S1/4-20X7/8 UNSLOT
32	006-128958-	1	ADAPTER
33	-108380-	2	CHECK VALVE GASKET
34	004-918621-	3	SCREW,MACHINE M8X1.25X30M
35	001-301717-	1	MOTOR,IHP
36	002-918161-	4	NUT,CAGED 5/16-18 TINNER.
37	-507053-	4	HHC S5/16-18X5/8 ZN G2
38	-902017-	7	LOCK W5/16X1/8X1/16 ZN
39	-027944-	1	PULLEY
42	001-301412-	1	CONDUIT MOTOR,LEFT
44	001-047939-	2	SUPPORT,PLATFORM
45	-916545-	1	PLWA S#8-3/8LOCK RIBS T30
46	001-301333-	1	BOOT,NOZZLE ASSY - LTS
47	001-301375-	1	BRACKET,NOZZLE BOOT <a href="#">SEE SHARED ASSY MAN P/N 920345</a>
48	-913733-	1	SOHC S5/16-18X1 ALLEN
49	-918210-	4	HEX N1/4-20 STOP
50	002-301240-	1	OUTLET,ASSY <a href="#">SEE SHARED ASSY MAN P/N 920345</a>
51	-904314-	7	FLAT W5/16 SAE ZN
52	-512101-	1	UNION 1-1/2 F.F.
53	-200403-	1	DISC
54	001-127756-750	1	NIPPLE 1-1/2X1-3/4 GALV.
56	-201829-	1	ASSY. STRAINER <a href="#">SEE SHARED ASSY MAN P/N 920345</a>
57	-129882-	1	GASKET, INLET
62	-907121-	1	BUSHING-END CE-12

TABLE 19. T17-517205-CAN - HYDRAULICS MODULE, G2001P/2

Item No.	Part No.	Qty.	Description
	T17-517205-CAN		MOD,GC HYD G2001P/2
DWG	002-301706-DWG		MOD,HYD SUCT GLOBAL CEN.
1	001-201973-	1	ASSY-COIL
2	003-301031-	1	VALVE,2 STAGE EXT. SLEEVE
3	005-129498-	3	LOCKNUT,CONDUIT
4	-126817-	4	WASHER-FLAT CAN
5	001-301024-	1	CONDUIT,VALVE ASSY
6	-129762-	4	WASHER-FLARE
7	001-301203-	1	TUBE,METER TO VALVE L.H.
9	-907070-	2	ELBO M3/8X1/4X90INV FLARE
10	001-301205-	1	TUBE,ASSY VENT CPU/BOOT
12	001-300817-	1	PULSER,ASSY <a href="#">SEE SHARED ASSY MAN P/N 920345</a>
13	003-127798-	2	SCREW,SEAL
14	-916702-		SEAL WIRE
15	-916703-	1	SEAL LEAD
16	072-039786-	1	SUPPORT,METER ASSY & TOTE <a href="#">SEE SHARED ASSY MAN P/N 920345</a>
17	-918224-	1	CONN M7/8STR INVERT
18	-511096-	4	HHC S5/16-18X7/8
19	023-039310-	1	ASSY-METER 2PM-6K <a href="#">SEE SHARED ASSY MAN P/N 920345</a>
20	-300314-	1	ASSY. CHK. & PR. REL. VAL
21	-120722-	1	O RING
22	-120723-	1	O RING
23	004-047579-	1	ASSY. COMPACT PUMP(US) <a href="#">SEE SHARED ASSY MAN P/N 920345</a>
25	-201905-	1	PULLEY,STEEL STAMPING
26	-115550-	1	KEY,WOODRUFF #606 ANSI
27	-511670-	1	JAM N5/8-18 HEX ZN
28	-918856-	1	BELT,PLUS V, POWER TWIST
29	003-918621-	7	SCREW, HHC M8 X 18MM
30	001-047940-	1	PLATFORM,HYDRAULICS
31	-916695-	14	TTWA S1/4-20X7/8 UNSLOT
32	006-128958-	1	ADAPTER
33	-108380-	2	CHECK VALVE GASKET
34	004-918621-	3	SCREW,MACHINE M8X1.25X30M
35	001-301717-	1	MOTOR, IHP
36	002-918161-	4	NUT,CAGED 5/16-18 TINNER.
37	-507053-	4	HHC S5/16-18X5/8 ZN G2
38	-902017-	7	LOCK W5/16X1/8X1/16 ZN
39	-027944-	1	PULLEY
42	001-301412-	1	CONDUIT MOTOR,LEFT
44	001-047939-	2	SUPPORT,PLATFORM
45	-916545-	1	PLWA S#8-3/8LOCK RIBS T30
46	001-301333-	1	BOOT,NOZZLE ASSY - LTS <a href="#">SEE SHARED ASSY MAN P/N 920345</a>
47	001-301375-	1	BRACKET,NOZZLE BOOT
48	-913733-	1	SOHC S5/16-18X1 ALLEN
49	-918210-	4	HEX N1/4-20 STOP
50	002-301241-	1	OUTLET,ASSY HI-CAPACITY <a href="#">SEE SHARED ASSY MAN P/N 920345</a>
51	-904314-	7	FLAT W5/16 SAE ZN
52	-512101-	1	UNION 1-1/2 F.F.
53	-200403-	1	DISC
54	001-127756-750	1	NIPPLE 1-1/2X1-3/4 GALV.
56	-201829-	1	ASSY. STRAINER <a href="#">SEE SHARED ASSY MAN P/N 920345</a>
57	-129882-	1	GASKET, INLET
62	-907121-	1	BUSHING-END CE-12

TABLE 20. T24-517205-CAN - HYDRAULICS MODULE, G2001P/Z4 220V

Item No.	Part No.	Qty.	Description
	T24-517205-CAN		MOD,HYD,G2001P/Z4
	001-006617-00D		INSTRUCTION,SEAL ASSY
	-027944-	1	PULLEY
	023-039310-	1	ASSY-METER 2PM-6K <a href="#">SEE SHARED ASSY MAN P/N 920345</a>
	072-039786-	1	SUPPORT,METER ASSY & TOTE <a href="#">SEE SHARED ASSY MAN P/N 920345</a>
	004-047579-	1	ASSY. COMPACT PUMP(US) <a href="#">SEE SHARED ASSY MAN P/N 920345</a>
	001-047939-	2	SUPPORT,PLATFORM
	001-047940-	1	PLATFORM,HYDRAULICS
	-108380-	2	CHECK VALVE GASKET
	-115550-	1	KEY,WOODRUFF #606 ANSI
	-120722-	1	O RING
	-120723-	1	O RING
	-126817-	4	WASHER-FLAT CAN
	001-127756-750	1	NIPPLE 1-1/2X1-3/4 GALV.
	003-127798-	2	SCREW,SEAL
	006-128958-	1	ADAPTER
	-129498-	3	LOCK N1/2 CONDUIT
	-129762-	4	WASHER-FLARE
	-129882-	1	GASKET, INLET
	-200403-	1	DISC
	-201829-	1	ASSY. STRAINER <a href="#">SEE SHARED ASSY MAN P/N 920345</a>
	-201905-	1	PULLEY,STEEL STAMPING
	002-201973-	1	ASSY-COIL
	-300314-	1	ASSY. CHK. & PR. REL. VAL
	001-300817-	1	PULSER,ASSY <a href="#">SEE SHARED ASSY MAN P/N 920345</a>
	003-301031-	1	VALVE,2 STAGE EXT. SLEEVE
	001-301203-	1	TUBE,METER TO VALVE L.H.
	001-301204-	1	TUBE,VALVE TO OUTLET
	001-301205-	1	TUBE,ASSY VENT CPU/BOOT
	002-301240-	1	OUTLET,ASSY <a href="#">SEE SHARED ASSY MAN P/N 920345</a>
	001-301333-	1	BOOT,NOZZLE ASSY - LTS <a href="#">SEE SHARED ASSY MAN P/N 920345</a>
	001-301375-	1	BRACKET,NOZZLE BOOT
	001-301412-	1	CONDUIT MOTOR,LEFT
	001-301717-	1	MOTOR,IHP
	-507053-	4	HHC S5/16-18X5/8 ZN G2
	-511096-	4	HHC S5/16-18X7/8
	007-511297-	2	SOBU S1/4-20X1 SS
	-511670-	1	JAM N5/8-18 HEX ZN
	-512101-	1	UNION 1-1/2 F.F.
	-512725-	1	BUSH M3/4 COND-FIBER-END
	-902017-	4	LOCK W5/16X1/8X1/16 ZN
	-907070-	2	ELBO M3/8X1/4X90INV FLARE
	-913733-	1	SOHC S5/16-18X1 ALLEN
	-916545-	1	PLWA S#8-3/8LOCK RIBS T30
	-916702-		SEAL WIRE
	-916703-	1	SEAL LEAD
	002-918161-	4	NUT,CAGED 5/16-18 TINNER.
	-918210-	4	HEX N1/4-20 STOP
	-918224-	1	CONN M7/8STR INVERT
	-918513-	12	SCREW,SHAKEPROOF TAP/R TH
	003-918621-	7	SCREW, HHC M8 X 18MM
	004-918621-	3	SCREW,MACHINE M8X1.25X30M
	-918856-	1	BELT,PLUS V, POWER TWIST



**FIGURE 7. 5-301706-DWG - HYDRAULICS MODULE, SINGLE REMOTE ISLAND**

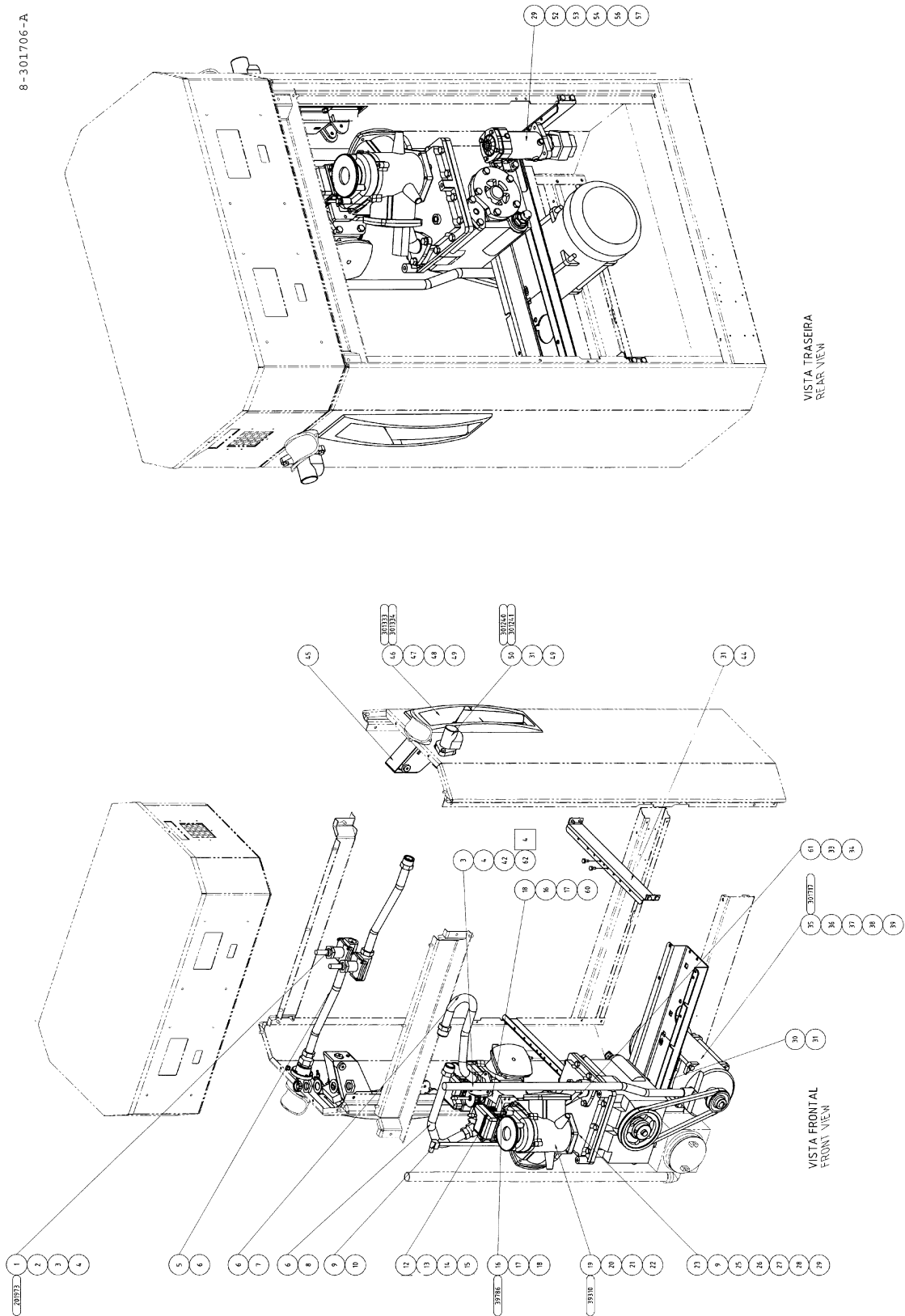
**TABLE 21. T02-517205-CAN - HYDRAULICS MODULE, G2001D/G**

Item No.	Part No.	Qty.	Description
	T02-517205-CAN		MOD,GC HYDRAULIC G2001D/G
DWG	005-301706-DWG		MOD,HYD REM GLOBAL CENT.
1	001-201973-	1	ASSY-COIL
2	003-301031-	1	VALVE,2 STAGE EXT. SLEEVE
3	005-129498-	1	LOCKNUT,CONDUIT
4	-126817-	2	WASHER-FLAT CAN
5	001-301204-	1	TUBE,VALVE TO OUTLET
6	-129762-	4	WASHER-FLARE
7	001-301203-	1	TUBE,METER TO VALVE L.H.
12	001-300817-	1	PULSER,ASSY <a href="#">SEE SHARED ASSY MAN P/N 920345</a>
13	003-127798-	2	SCREW,SEAL
14	-916702-		SEAL WIRE
15	-916703-	1	SEAL LEAD
16	072-039786-	1	SUPPORT,METER ASSY & TOTE <a href="#">SEE SHARED ASSY MAN P/N 920345</a>
17	-918224-	1	CONN M7/8STR INVERT
18	-511096-	4	HHC S5/16-18X7/8
19	023-039310-	1	ASSY-METER 2PM-6K <a href="#">SEE SHARED ASSY MAN P/N 920345</a>
20	-300314-	1	ASSY. CHK. & PR. REL. VAL
21	-120722-	1	O RING
22	-120723-	1	O RING
30	002-047940-	1	PLATFORM,HYDRAULICS
31	-916695-	12	TTWA S1/4-20X7/8 UNSLOT
33	-108380-	2	CHECK VALVE GASKET
44	001-047939-	2	SUPPORT,PLATFORM
45	-916545-	1	PLWA S#8-3/8LOCK RIBS T30
46	001-301333-	1	BOOT,NOZZLE ASSY - LTS <a href="#">SEE SHARED ASSY MAN P/N 920345</a>
47	001-301375-	1	BRACKET,NOZZLE BOOT
48	-913733-	1	SOHC S5/16-18X1 ALLEN
49	-918210-	4	HEX N1/4-20 STOP
50	002-301240-	1	OUTLET,ASSY <a href="#">SEE SHARED ASSY MAN P/N 920345</a>
52	-512101-	1	UNION 1-1/2 F.F.
53	-200403-	1	DISC
54	011-127756-500	1	NIPPLE 1-1/2X11-1/2
56	004-039656-	1	ASSY. STRAINER FILTER FIT <a href="#">SEE SHARED ASSY MAN P/N 920345</a>
63	-507053-	3	HHC S5/16-18X5/8 ZN G2
64	-507284-	6	HHC S5/16-18X3/4SS ZN G2
65	-028791-	1	COVER
66	-907407-	1	FILTER
68	001-916931-	2	WASHER - SPECIAL
69	004-916931-	1	WASHER - SPECIAL
70	-511883-	1	NUT, STOP 5/16-18 ZINC PL

TABLE 22. T14-517205-CAN - HYDRAULICS MODULE, G2001D/2G

Item No.	Part No.	Qty.	Description
	T14-517205-CAN		MOD,GC HYD G2001D/2G
DWG	005-301706-DWG		MOD,HYD REM GLOBAL CENT.
1	001-201973-	1	ASSY-COIL
2	003-301031-	1	VALVE,2 STAGE EXT. SLEEVE
3	005-129498-	1	LOCKNUT,CONDUIT
4	-126817-	2	WASHER-FLAT CAN
5	001-301204-	1	TUBE,VALVE TO OUTLET
6	-129762-	4	WASHER-FLARE
7	001-301203-	1	TUBE,METER TO VALVE L.H.
12	001-300817-	1	PULSER,ASSY <a href="#">SEE SHARED ASSY MAN P/N 920345</a>
13	003-127798-	2	SCREW,SEAL
14	-916702-		SEAL WIRE
15	-916703-	1	SEAL LEAD
16	072-039786-	1	SUPPORT,METER ASSY & TOTE <a href="#">SEE SHARED ASSY MAN P/N 920345</a>
17	-918224-	1	CONN M7/8STR INVERT
18	-511096-	4	HHC S5/16-18X7/8
19	023-039310-	1	ASSY-METER 2PM-6K <a href="#">SEE SHARED ASSY MAN P/N 920345</a>
20	-300314-	1	ASSY. CHK. & PR. REL. VAL
21	-120722-	1	O RING
22	-120723-	1	O RING
30	002-047940-	1	PLATFORM,HYDRAULICS
31	-916695-	12	TTWA S1/4-20X7/8 UNSLOT
33	-108380-	2	CHECK VALVE GASKET
44	001-047939-	2	SUPPORT,PLATFORM
45	-916545-	1	PLWA S#8-3/8LOCK RIBS T30
46	001-301333-	1	BOOT,NOZZLE ASSY - LTS <a href="#">SEE SHARED ASSY MAN P/N 920345</a>
47	001-301375-	1	BRACKET,NOZZLE BOOT
48	-913733-	1	SOHC S5/16-18X1 ALLEN
49	-918210-	4	HEX N1/4-20 STOP
50	002-301241-	1	OUTLET,ASSY HI-CAPACITY <a href="#">SEE SHARED ASSY MAN P/N 920345</a>
52	-512101-	1	UNION 1-1/2 F.F.
53	-200403-	1	DISC
54	011-127756-500	1	NIPPLE 1-1/2X11-1/2
56	004-039656-	1	ASSY. STRAINER FILTER FIT <a href="#">SEE SHARED ASSY MAN P/N 920345</a>
63	-507053-	3	HHC S5/16-18X5/8 ZN G2
64	-507284-	6	HHC S5/16-18X3/4SS ZN G2
65	-028791-	1	COVER
66	-907407-	1	FILTER
68	001-916931-	2	WASHER - SPECIAL
69	004-916931-	1	WASHER - SPECIAL
70	-511883-	1	NUT, STOP 5/16-18 ZINC PL





**FIGURE 8. 8-301706-DWG - HYDRAULICS MODULE, DUO 1 SUCTION ISLAND**

TABLE 23. T06-517205-CAN - HYDRAULICS MODULE, G2002P

Item No.	Part No.	Qty.	Description
	T06-517205-CAN		MOD,HYD,G2002P DUO 1 SUC.
DWG	008-301706-DWG		MOD,HYD SUCT GLOBAL CENT.
1	001-201973-	2	ASSY-COIL
2	003-301031-	2	VALVE,2 STAGE EXT. SLEEVE
3	005-129498-	4	LOCKNUT,CONDUIT
4	-126817-	6	WASHER-FLAT CAN
5	001-301204-	2	TUBE,VALVE TO OUTLET
6	-129762-	8	WASHER-FLARE
7	001-301332-	1	TUBE METER,VALVE 1
8	002-301332-	1	TUBE METER/VALVE 2
9	-907070-	2	ELBO M3/8X1/4X90INV FLARE
10	001-301205-	1	TUBE,ASSY VENT CPU/BOOT
12	001-300817-	2	PULSER,ASSY <a href="#">SEE SHARED ASSY MAN P/N 920345</a>
13	003-127798-	4	SCREW,SEAL
14	-916702-		SEAL WIRE
15	-916703-	2	SEAL LEAD
16	080-039786-	1	SUPPORT,METER ASSY & TOTE <a href="#">SEE SHARED ASSY MAN P/N 920345</a>
17	-918224-	2	CONN M7/8STR INVERT
18	-511096-	7	HHC S5/16-18X7/8
19	023-039310-	2	ASSY-METER 2PM-6K <a href="#">SEE SHARED ASSY MAN P/N 920345</a>
20	-300314-	2	ASSY. CHK. & PR. REL. VAL
21	-120722-	2	O RING
22	-120723-	2	O RING
23	004-047579-	1	ASSY. COMPACT PUMP(US) <a href="#">SEE SHARED ASSY MAN P/N 920345</a>
25	-201905-	1	PULLEY,STEEL STAMPING
26	-115550-	1	KEY,WOODRUFF #606 ANSI
27	-511670-	1	JAM N5/8-18 HEX ZN
28	-918856-	1	BELT,PLUS V, POWER TWIST
29	003-918621-	7	SCREW, HHC M8 X 18MM
30	001-047940-	1	PLATFORM,HYDRAULICS
31	-916695-	14	TTWA S1/4-20X7/8 UNSLOT
33	-108380-	3	CHECK VALVE GASKET
34	004-918621-	9	SCREW,MACHINE M8X1.25X30M
35	001-301717-	1	MOTOR,IHP
36	002-918161-	4	NUT,CAGED 5/16-18 TINNER.
37	-507053-	4	HHC S5/16-18X5/8 ZN G2
38	-902017-	7	LOCK W5/16X1/8X1/16 ZN
39	-027944-	1	PULLEY
42	001-301412-	1	CONDUIT MOTOR,LEFT
44	001-047939-	2	SUPPORT,PLATFORM
45	-916545-	2	PLWA S#8-3/8LOCK RIBS T30
46	001-301333-	2	BOOT,NOZZLE ASSY - LTS <a href="#">SEE SHARED ASSY MAN P/N 920345</a>
47	001-301375-	2	BRACKET,NOZZLE BOOT
48	-913733-	2	SOHC S5/16-18X1 ALLEN
49	-918210-	8	HEX N1/4-20 STOP
50	002-301240-	2	OUTLET,ASSY <a href="#">SEE SHARED ASSY MAN P/N 920345</a>
51	-904314-	7	FLAT W5/16 SAE ZN
52	-512101-	1	UNION 1-1/2 F.F.
53	-200403-	1	DISC
54	001-127756-750	1	NIPPLE 1-1/2X1-3/4 GALV.
56	-201829-	1	ASSY. STRAINER <a href="#">SEE SHARED ASSY MAN P/N 920345</a>
57	-129882-	1	GASKET, INLET
60	-511748-	1	HHC S5/16-18X2 1/2 CD
62	-907121-	1	BUSHING-END CE-12

TABLE 24. T20-517205-CAN - HYDRAULICS MODULE, G2002P/2

Item No.	Part No.	Qty.	Description
	T20-517205-CAN		MOD,GC HYD G2002P/2
DWG	008-301706-DWG		MOD,HYD SUCT GLOBAL CENT.
1	001-201973-	2	ASSY-COIL
2	003-301031-	2	VALVE,2 STAGE EXT. SLEEVE
3	005-129498-	4	LOCKNUT,CONDUIT
4	-126817-	6	WASHER-FLAT CAN
5	001-301204-	2	TUBE,VALVE TO OUTLET
6	-129762-	8	WASHER-FLARE
7	001-301332-	1	TUBE METER,VALVE 1
8	002-301332-	1	TUBE METER/VALVE 2
9	-907070-	2	ELBO M3/8X1/4X90INV FLARE
10	001-301205-	1	TUBE,ASSY VENT CPU/BOOT
12	001-300817-	2	PULSER,ASSY <a href="#">SEE SHARED ASSY MAN P/N 920345</a>
13	003-127798-	4	SCREW,SEAL
14	-916702-		SEAL WIRE
15	-916703-	2	SEAL LEAD
16	080-039786-	1	SUPPORT,METER ASSY & TOTE <a href="#">SEE SHARED ASSY MAN P/N 920345</a>
17	-918224-	2	CONN M7/8STR INVERT
18	-511096-	7	HHC S5/16-18X7/8
19	023-039310-	2	ASSY-METER 2PM-6K <a href="#">SEE SHARED ASSY MAN P/N 920345</a>
20	-300314-	2	ASSY. CHK. & PR. REL. VAL
21	-120722-	2	O RING
22	-120723-	2	O RING
23	004-047579-	1	ASSY. COMPACT PUMP(US) <a href="#">SEE SHARED ASSY MAN P/N 920345</a>
25	-201905-	1	PULLEY,STEEL STAMPING
26	-115550-	1	KEY,WOODRUFF #606 ANSI
27	-511670-	1	JAM N5/8-18 HEX ZN
28	-918856-	1	BELT,PLUS V, POWER TWIST
29	003-918621-	7	SCREW, HHC M8 X 18MM
30	001-047940-	1	PLATFORM,HYDRAULICS
31	-916695-	14	TTWA S1/4-20X7/8 UNSLOT
33	-108380-	3	CHECK VALVE GASKET
34	004-918621-	9	SCREW,MACHINE M8X1.25X30M
35	001-301717-	1	MOTOR, IHP
36	002-918161-	4	NUT,CAGED 5/16-18 TINNER.
37	-507053-	4	HHC S5/16-18X5/8 ZN G2
38	-902017-	7	LOCK W5/16X1/8X1/16 ZN
39	-027944-	1	PULLEY
42	001-301412-	1	CONDUIT MOTOR,LEFT
44	001-047939-	2	SUPPORT,PLATFORM
45	-916545-	2	PLWA S#8-3/8LOCK RIBS T30
46	001-301333-	2	BOOT,NOZZLE ASSY - LTS
47	001-301375-	2	BRACKET,NOZZLE BOOT
48	-913733-	2	SOHC S5/16-18X1 ALLEN
49	-918210-	8	HEX N1/4-20 STOP
50	002-301241-	2	OUTLET,ASSY HI-CAPACITY <a href="#">SEE SHARED ASSY MAN P/N 920345</a>
51	-904314-	7	FLAT W5/16 SAE ZN
52	-512101-	1	UNION 1-1/2 F.F.
53	-200403-	1	DISC
54	001-127756-750	1	NIPPLE 1-1/2X1-3/4 GALV.
56	-201829-	1	ASSY. STRAINER <a href="#">SEE SHARED ASSY MAN P/N 920345</a>
57	-129882-	1	GASKET, INLET
60	-511748-	1	HHC S5/16-18X2 1/2 CD
62	-907121-	1	BUSHING-END CE-12

**TABLE 25. T32-517205-CAN - HYDRAULICS MODULE, G2002P/Z4 220V**

Item No.	Part No.	Qty.	Description
	T32-517205-CAN		MOD,HYD,G2002P/Z4
	-027944-	1	PULLEY
	023-039310-	2	ASSY-METER 2PM-6K <a href="#">SEE SHARED ASSY MAN P/N 920345</a>
	071-039786-	1	SUPPORT,METER ASSY & TOTE <a href="#">SEE SHARED ASSY MAN P/N 920345</a>
	072-039786-	1	SUPPORT,METER ASSY & TOTE <a href="#">SEE SHARED ASSY MAN P/N 920345</a>
	004-047579-	1	ASSY. COMPACT PUMP(US) <a href="#">SEE SHARED ASSY MAN P/N 920345</a>
	001-047939-	2	SUPPORT,PLATFORM
	001-047940-	1	PLATFORM,HYDRAULICS
	-108380-	3	CHECK VALVE GASKET
	-115550-	1	KEY,WOODRUFF #606 ANSI
	-120722-	2	O RING
	-120723-	2	O RING
	-126817-	6	WASHER-FLAT CAN
	001-127756-750	1	NIPPLE 1-1/2X1-3/4 GALV.
	003-127798-	4	SCREW,SEAL
	-129498-	4	LOCK N1/2 CONDUIT
	-129762-	8	WASHER-FLARE
	-129882-	1	GASKET, INLET
	-200403-	1	DISC
	-201829-	1	ASSY. STRAINER
	-201905-	1	PULLEY,STEEL STAMPING
	002-201973-	2	ASSY-COIL
	-300314-	2	ASSY. CHK. & PR. REL. VAL
	001-300817-	2	PULSER,ASSY <a href="#">SEE SHARED ASSY MAN P/N 920345</a>
	003-301031-	2	VALVE,2 STAGE EXT. SLEEVE
	001-301204-	2	TUBE,VALVE TO OUTLET
	001-301205-	1	TUBE,ASSY VENT CPU/BOOT
	002-301240-	2	OUTLET,ASSY <a href="#">SEE SHARED ASSY MAN P/N 920345</a>
	001-301331-	1	FLANGE,MANIFOLD CASTING
	001-301332-	1	TUBE METER,VALVE 1
	002-301332-	1	TUBE METER/VALVE 2
	001-301333-	2	BOOT,NOZZLE ASSY - LTS <a href="#">SEE SHARED ASSY MAN P/N 920345</a>
	001-301375-	2	BRACKET,NOZZLE BOOT
	001-301412-	1	CONDUIT MOTOR,LEFT
	001-301717-	1	MOTOR,IHP
	-507053-	4	HHC S5/16-18X5/8 ZN G2
	-511096-	8	HHC S5/16-18X7/8
	007-511297-	4	SOBU S1/4-20X1 SS
	-511670-	1	JAM N5/8-18 HEX ZN
	-512101-	1	UNION 1-1/2 F.F.
	-512725-	1	BUSH M3/4 COND-FIBER-END
	-902017-	4	LOCK W5/16X1/8X1/16 ZN
	-907070-	2	ELBO M3/8X1/4X90INV FLARE
	-913733-	2	SOHC S5/16-18X1 ALLEN
	-916545-	2	PLWA S#8-3/8LOCK RIBS T30
	-916703-	2	SEAL LEAD
	002-918161-	4	NUT,CAGED 5/16-18 TINNER.
	-918210-	8	HEX N1/4-20 STOP
	-918224-	2	CONN M7/8STR INVERT
	-918513-	12	SCREW,SHAKEPROOF TAP/R TH
	-918583-	1	TEE, MALE BRANCH 3/8" ODT
	003-918621-	7	SCREW, HHC M8 X 18MM
	004-918621-	9	SCREW,MACHINE M8X1.25X30M
	-918856-	1	BELT,PLUS V, POWER TWIST

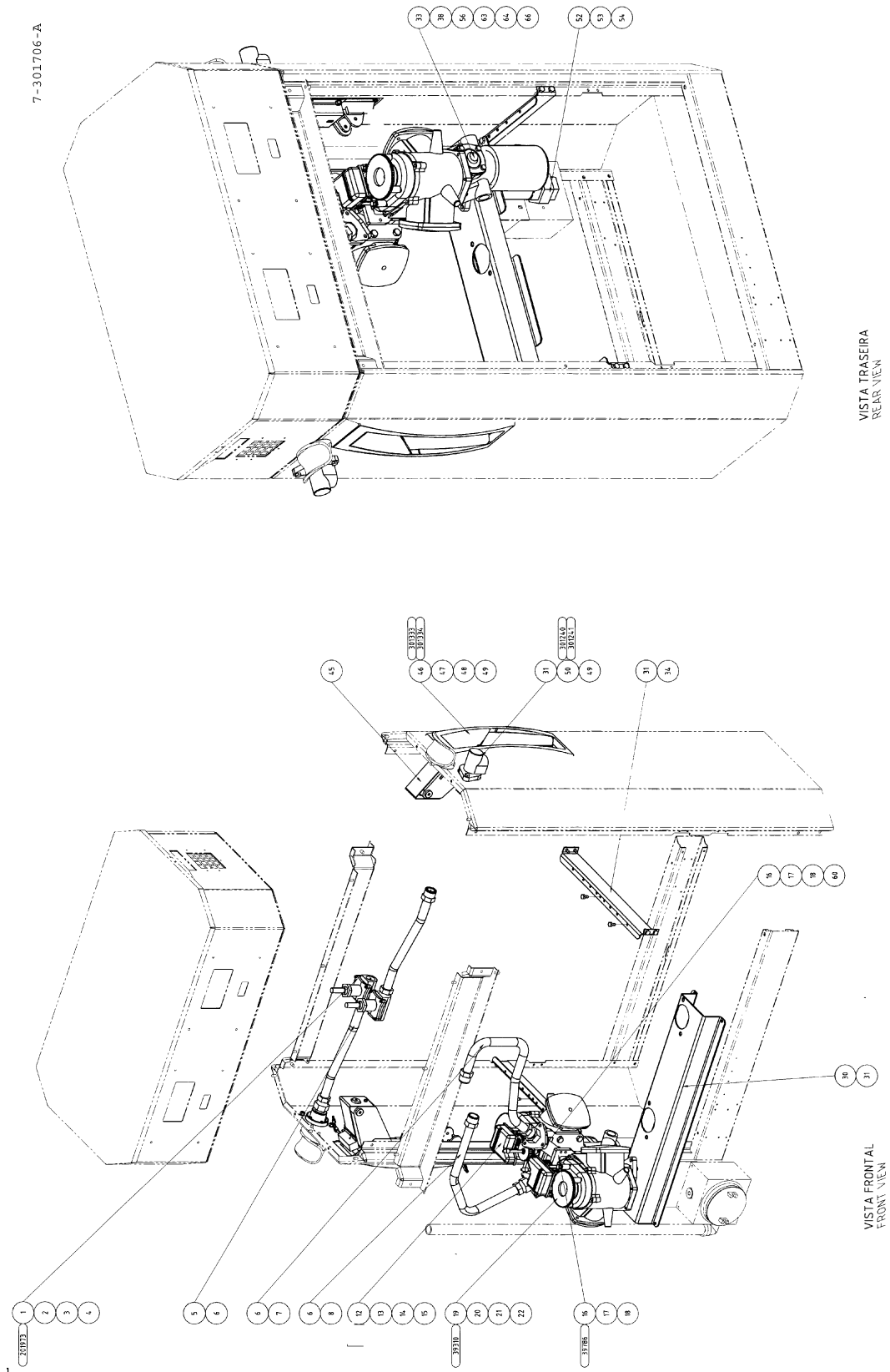


FIGURE 9. 7-301706-DWG - HYDRAULICS MODULE, DUO 1 REMOTE ISLAND

**TABLE 26. T18-517205-CAN - HYDRAULICS MODULE, G2002G/2G**

Item No.	Part No.	Qty.	Description
	T18-517205-CAN		MOD,HYD,G2002D/2G
DWG	007-301706-DWG		MOD,HYD REM GLOBAL CENT.
1	001-201973-	2	ASSY-COIL
2	003-301031-	2	VALVE,2 STAGE EXT. SLEEVE
3	005-129498-	2	LOCKNUT,CONDUIT
4	-126817-	4	WASHER-FLAT CAN
5	001-301204-	2	TUBE,VALVE TO OUTLET
6	-129762-	8	WASHER-FLARE
7	001-301340-	1	TUBE METER/VALVE
8	002-301340-	1	TUBE METER/VALVE
12	001-300817-	2	PULSER,ASSY <a href="#">SEE SHARED ASSY MAN P/N 920345</a>
13	003-127798-	4	SCREW,SEAL
14	-916702-		SEAL WIRE
15	-916703-	2	SEAL LEAD
16	080-039786-	1	SUPPORT,METER ASSY & TOTE <a href="#">SEE SHARED ASSY MAN P/N 920345</a>
17	-918224-	2	CONN M7/8STR INVERT
19	023-039310-	2	ASSY-METER 2PM-6K <a href="#">SEE SHARED ASSY MAN P/N 920345</a>
20	-300314-	2	ASSY. CHK. & PR. REL. VAL
21	-120722-	2	O RING
22	-120723-	2	O RING
30	003-047940-	1	PLATFORM,HYDRAULICS
31	-916695-	14	TTWA S1/4-20X7/8 UNSLOT
33	-108380-	2	CHECK VALVE GASKET
44	002-047939-	2	SUPPORT,PLATFORM
45	-916545-	2	PLWA S#8-3/8LOCK RIBS T30
46	001-301333-	2	BOOT,NOZZLE ASSY - LTS <a href="#">SEE SHARED ASSY MAN P/N 920345</a>
47	001-301375-	2	BRACKET,NOZZLE BOOT
48	-913733-	2	SOHC S5/16-18X1 ALLEN
49	-918210-	8	HEX N1/4-20 STOP
50	002-301241-	2	OUTLET,ASSY HI-CAPACITY <a href="#">SEE SHARED ASSY MAN P/N 920345</a>
52	-512101-	1	UNION 1-1/2 F.F.
53	-200403-	1	DISC
54	011-127756-500	1	NIPPLE 1-1/2X11-1/2
56	004-039656-	1	ASSY. STRAINER FILTER FIT <a href="#">SEE SHARED ASSY MAN P/N 920345</a>
60	-511748-	1	HHC S5/16-18X2 1/2 CD
63	-507053-	3	HHC S5/16-18X5/8 ZN G2
64	-507284-	6	HHC S5/16-18X3/4SS ZN G2
65	-028791-	1	COVER
66	-907407-	1	FILTER
68	001-916931-	2	WASHER - SPECIAL
69	004-916931-	1	WASHER - SPECIAL
70	-511883-	1	NUT, STOP 5/16-18 ZINC PL

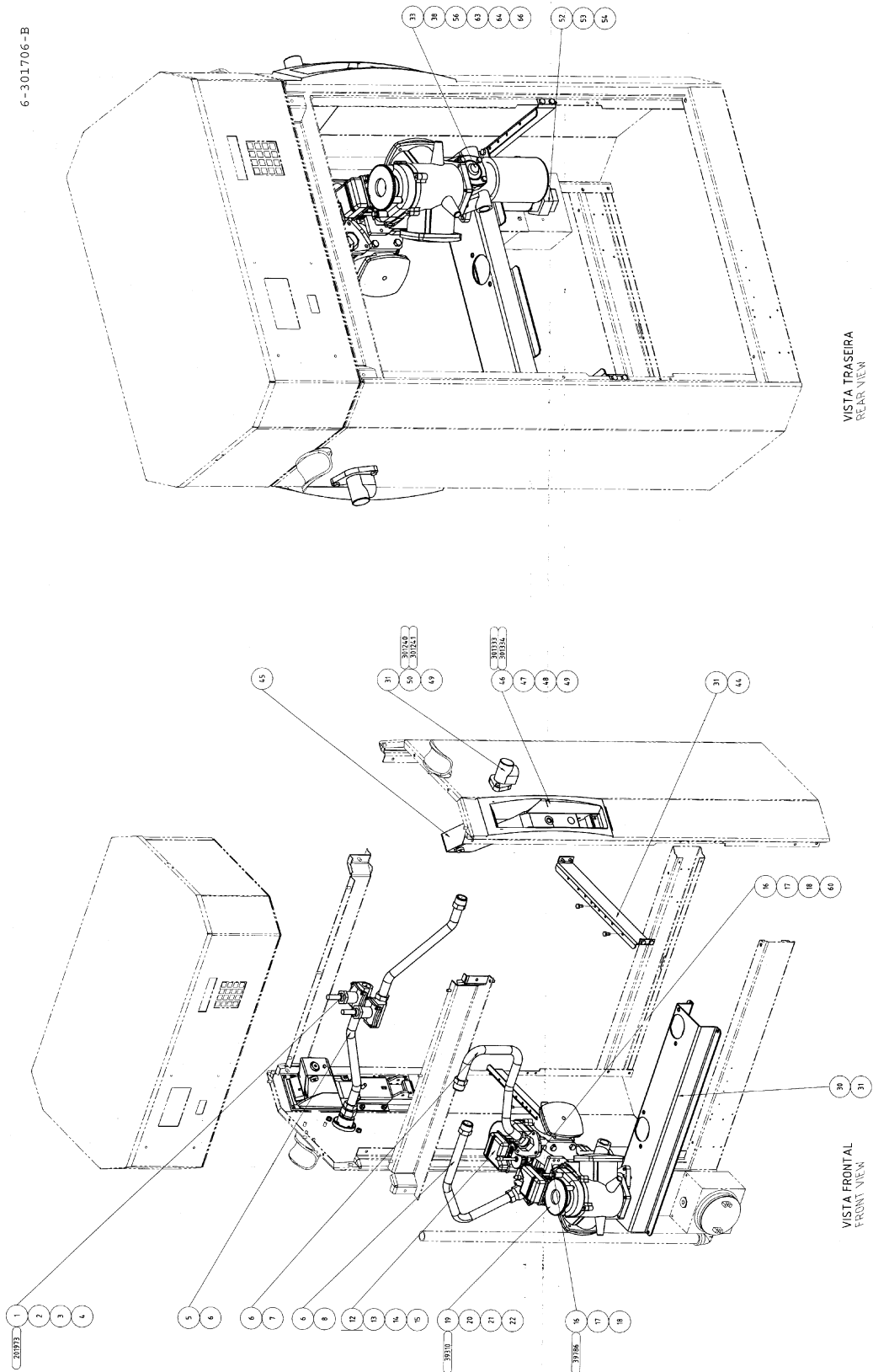


FIGURE 10. 6-301706-DWG - HYDRAULICS MODULE, DUO 1 REMOTE LANE

TABLE 27. T07-517205-CAN - HYDRAULICS MODULE, G2007D/G

Item No.	Part No.	Qty.	Description
	T07-517205-CAN		MOD,HYD,G2007D/G DUO 1
DWG	006-301706-DWG		MOD,HYD REM GLOBAL CENT.
1	001-201973-	2	ASSY-COIL
2	003-301031-	2	VALVE,2 STAGE EXT. SLEEVE
3	005-129498-	2	LOCKNUT,CONDUIT
4	-126817-	4	WASHER-FLAT CAN
5	001-301204-	2	TUBE,VALVE TO OUTLET
6	-129762-	8	WASHER-FLARE
7	001-301340-	1	TUBE METER/VALVE
8	002-301340-	1	TUBE METER/VALVE
12	001-300817-	2	PULSER,ASSY <a href="#">SEE SHARED ASSY MAN P/N 920345</a>
13	003-127798-	4	SCREW,SEAL
14	-916702-		SEAL WIRE
15	-916703-	2	SEAL LEAD
16	073-039786-	1	SUPPORT,METER ASSY & TOTE <a href="#">SEE SHARED ASSY MAN P/N 920345</a>
17	-918224-	2	CONN M7/8STR INVERT
18	-511096-	7	HHC S5/16-18X7/8
19	023-039310-	2	ASSY-METER 2PM-6K <a href="#">SEE SHARED ASSY MAN P/N 920345</a>
20	-300314-	2	ASSY. CHK. & PR. REL. VAL
21	-120722-	2	O RING
22	-120723-	2	O RING
30	003-047940-	1	PLATFORM,HYDRAULICS
31	-916695-	14	TTWA S1/4-20X7/8 UNSLOT
33	-108380-	2	CHECK VALVE GASKET
44	002-047939-	2	SUPPORT,PLATFORM
45	-916545-	2	PLWA S#8-3/8LOCK RIBS T30
46	001-301333-	2	BOOT,NOZZLE ASSY - LTS <a href="#">SEE SHARED ASSY MAN P/N 920345</a>
47	001-301375-	2	BRACKET,NOZZLE BOOT
48	-913733-	2	SOHC S5/16-18X1 ALLEN
49	-918210-	8	HEX N1/4-20 STOP
50	002-301240-	2	OUTLET,ASSY <a href="#">SEE SHARED ASSY MAN P/N 920345</a>
52	-512101-	1	UNION 1-1/2 F.F.
53	-200403-	1	DISC
54	011-127756-500	2	NIPPLE 1-1/2X11-1/2
56	004-039656-	1	ASSY. STRAINER FILTER FIT <a href="#">SEE SHARED ASSY MAN P/N 920345</a>
60	-511748-	1	HHC S5/16-18X2 1/2 CD
63	-507053-	3	HHC S5/16-18X5/8 ZN G2
64	-507284-	6	HHC S5/16-18X3/4SS ZN G2
66	-907407-	2	FILTER
68	001-916931-	2	WASHER - SPECIAL
69	004-916931-	1	WASHER - SPECIAL
70	-511883-	1	NUT, STOP 5/16-18 ZINC PL

**TABLE 28. T15-517205-CAN - HYDRAULICS MODULE, G2007D/2G**

Item No.	Part No.	Qty.	Description
	T15-517205-CAN		MOD,GC HYD G2007D/2G
DWG	006-301706-DWG		MOD,HYD REM GLOBAL CENT.
1	001-201973-	2	ASSY-COIL
2	003-301031-	2	VALVE,2 STAGE EXT. SLEEVE
3	005-129498-	2	LOCKNUT,CONDUIT
4	-126817-	4	WASHER-FLAT CAN
5	001-301204-	2	TUBE,VALVE TO OUTLET
6	-129762-	8	WASHER-FLARE
7	001-301340-	1	TUBE METER/VALVE
8	002-301340-	1	TUBE METER/VALVE
12	001-300817-	2	PULSER,ASSY <a href="#">SEE SHARED ASSY MAN P/N 920345</a>
13	003-127798-	4	SCREW,SEAL
14	-916702-		SEAL WIRE
15	-916703-	2	SEAL LEAD
16	073-039786-	1	SUPPORT,METER ASSY & TOTE <a href="#">SEE SHARED ASSY MAN P/N 920345</a>
17	-918224-	2	CONN M7/8STR INVERT
18	-511096-	7	HHC S5/16-18X7/8
19	023-039310-	2	ASSY-METER 2PM-6K <a href="#">SEE SHARED ASSY MAN P/N 920345</a>
20	-300314-	2	ASSY. CHK. & PR. REL. VAL
21	-120722-	2	O RING
22	-120723-	2	O RING
30	003-047940-	1	PLATFORM,HYDRAULICS
31	-916695-	14	TTWA S1/4-20X7/8 UNSLOT
33	-108380-	2	CHECK VALVE GASKET
44	002-047939-	2	SUPPORT,PLATFORM
45	-916545-	2	PLWA S#8-3/8LOCK RIBS T30
46	001-301333-	2	BOOT,NOZZLE ASSY - LTS <a href="#">SEE SHARED ASSY MAN P/N 920345</a>
47	001-301375-	2	BRACKET,NOZZLE BOOT
48	-913733-	2	SOHC S5/16-18X1 ALLEN
49	-918210-	8	HEX N1/4-20 STOP
50	002-301241-	2	OUTLET,ASSY HI-CAPACITY <a href="#">SEE SHARED ASSY MAN P/N 920345</a>
52	-512101-	1	UNION 1-1/2 F.F.
53	-200403-	1	DISC
54	011-127756-500	2	NIPPLE 1-1/2X11-1/2
56	004-039656-	1	ASSY. STRAINER FILTER FIT <a href="#">SEE SHARED ASSY MAN P/N 920345</a>
60	-511748-	1	HHC S5/16-18X2 1/2 CD
63	-507053-	3	HHC S5/16-18X5/8 ZN G2
64	-507284-	6	HHC S5/16-18X3/4SS ZN G2
66	-907407-	2	FILTER
68	001-916931-	2	WASHER - SPECIAL
69	004-916931-	1	WASHER - SPECIAL
70	-511883-	1	NUT, STOP 5/16-18 ZINC PL



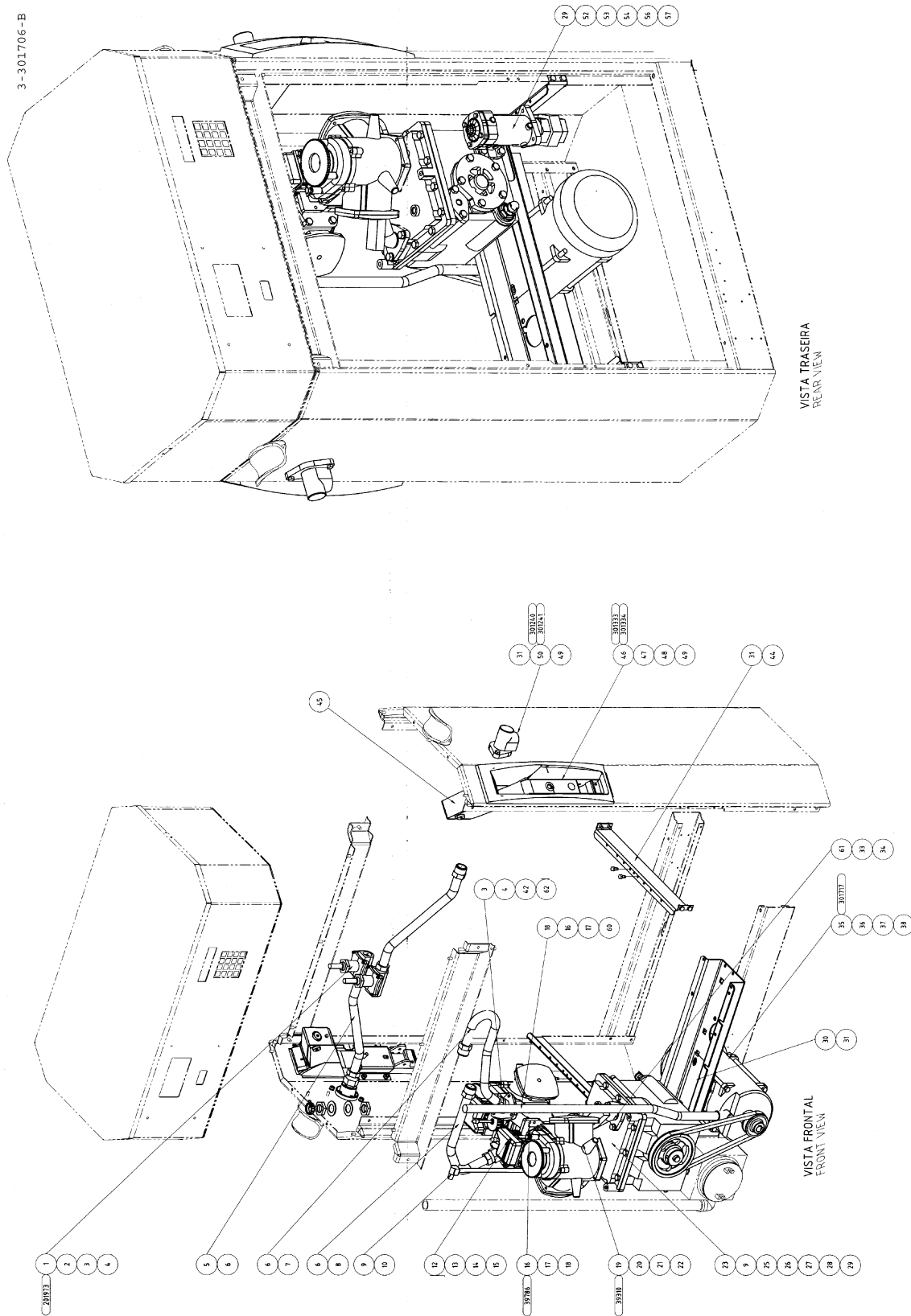
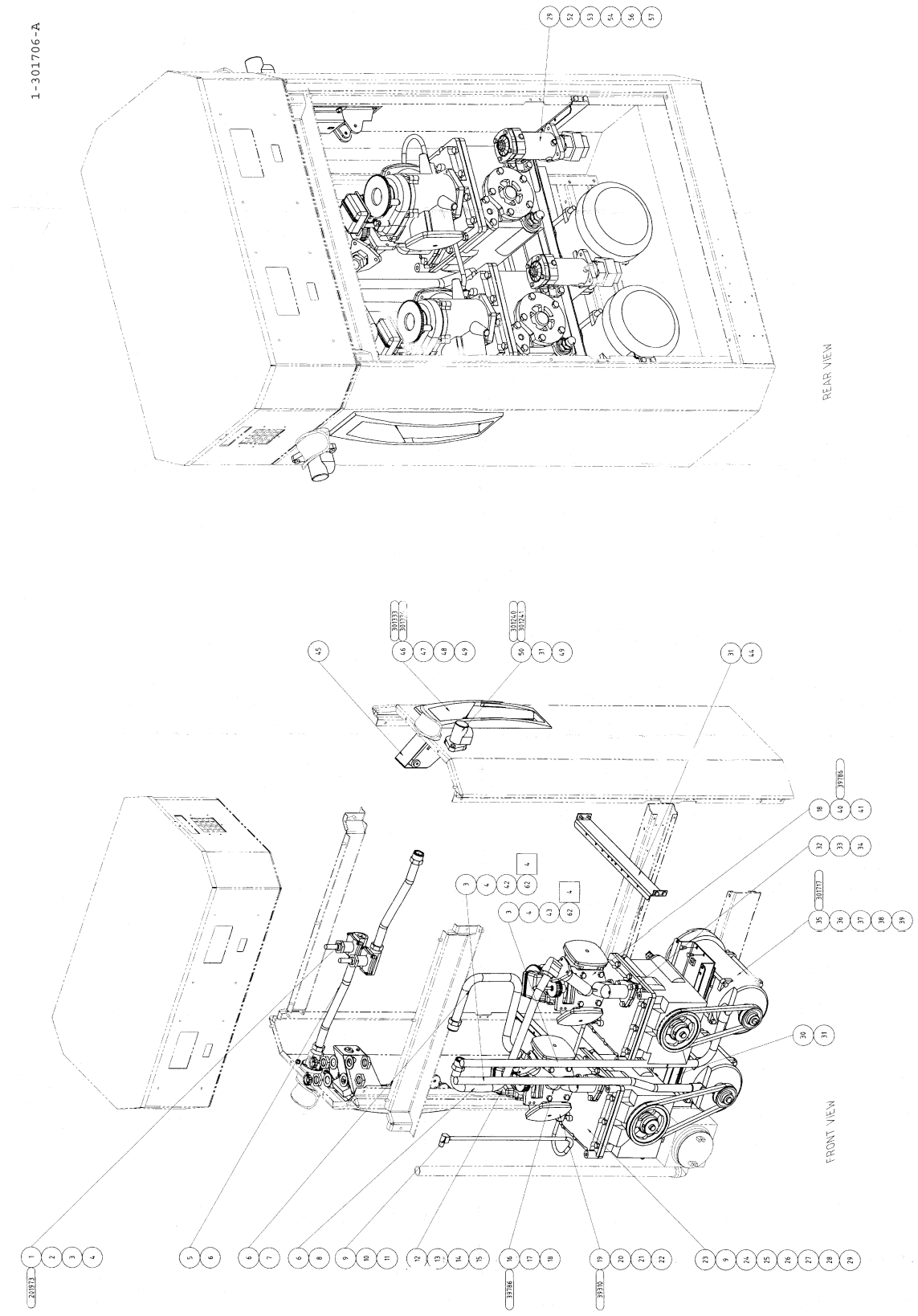


FIGURE 11. 3-301706-DWG - HYDRAULICS MODULE, DUO 1 SUCTION LANE

TABLE 29. T16-517205-CAN - HYDRAULICS MODULE, G2007P/2

Item No.	Part No.	Qty.	Description
	T16-517205-CAN		MOD,GC HYD G2007P/2
DWG	003-301706-DWG		MOD,HYD SUCT GLOBAL CENT.
1	001-201973-	2	ASSY-COIL
2	003-301031-	2	VALVE,2 STAGE EXT. SLEEVE
3	005-129498-	4	LOCKNUT,CONDUIT
4	-126817-	6	WASHER-FLAT CAN
5	001-301204-	2	TUBE,VALVE TO OUTLET
6	-129762-	8	WASHER-FLARE
7	001-301332-	1	TUBE METER,VALVE 1
8	002-301332-	1	TUBE METER/VALVE 2
9	-907070-	2	ELBO M3/8X1/4X90INV FLARE
10	001-301205-	1	TUBE,ASSY VENT CPU/BOOT
12	001-300817-	2	PULSER,ASSY <a href="#">SEE SHARED ASSY MAN P/N 920345</a>
13	003-127798-	4	SCREW,SEAL
14	-916702-		SEAL WIRE
15	-916703-	2	SEAL LEAD
16	073-039786-	1	SUPPORT,METER ASSY & TOTE <a href="#">SEE SHARED ASSY MAN P/N 920345</a>
17	-918224-	2	CONN M7/8STR INVERT
18	-511096-	7	HHC S5/16-18X7/8
19	023-039310-	2	ASSY-METER 2PM-6K <a href="#">SEE SHARED ASSY MAN P/N 920345</a>
20	-300314-	2	ASSY. CHK. & PR. REL. VAL
21	-120722-	2	O RING
22	-120723-	2	O RING
23	004-047579-	1	ASSY. COMPACT PUMP(US)
25	-201905-	1	PULLEY,STEEL STAMPING
26	-115550-	1	KEY,WOODRUFF #606 ANSI
27	-511670-	1	JAM N5/8-18 HEX ZN
28	-918856-	1	BELT,PLUS V, POWER TWIST
29	003-918621-	7	SCREW, HHC M8 X 18MM
30	001-047940-	1	PLATFORM,HYDRAULICS
31	-916695-	14	TTWA S1/4-20X7/8 UNSLOT
33	-108380-	3	CHECK VALVE GASKET
34	004-918621-	9	SCREW,MACHINE M8X1.25X30M
35	001-301717-	1	MOTOR,IHP
36	002-918161-	4	NUT,CAGED 5/16-18 TINNER.
37	-507053-	4	HHC S5/16-18X5/8 ZN G2
38	-902017-	7	LOCK W5/16X1/8X1/16 ZN
39	-027944-	1	PULLEY
42	001-301412-	1	CONDUIT MOTOR,LEFT
44	001-047939-	2	SUPPORT,PLATFORM
45	-916545-	2	PLWA S#8-3/8LOCK RIBS T30
46	001-301333-	2	BOOT,NOZZLE ASSY - LTS <a href="#">SEE SHARED ASSY MAN P/N 920345</a>
47	001-301375-	2	BRACKET,NOZZLE BOOT
48	-913733-	2	SOHC S5/16-18X1 ALLEN
49	-918210-	8	HEX N1/4-20 STOP
50	002-301241-	2	OUTLET,ASSY HI-CAPACITY <a href="#">SEE SHARED ASSY MAN P/N 920345</a>
51	-904314-	7	FLAT W5/16 SAE ZN
52	-512101-	1	UNION 1-1/2 F.F.
53	-200403-	1	DISC
54	001-127756-750	1	NIPPLE 1-1/2X1-3/4 GALV.
56	-201829-	1	ASSY. STRAINER <a href="#">SEE SHARED ASSY MAN P/N 920345</a>
57	-129882-	1	GASKET, INLET
60	-511748-	1	HHC S5/16-18X2 1/2 CD
61	001-301331-	1	FLANGE,MANIFOLD CASTING
62	-907121-	1	BUSHING-END CE-12



**FIGURE 12. 1-301706-DWG - HYDRAULICS MODULE, DUO 2 SUCTION ISLAND**

TABLE 30. T03-517205-CAN - HYDRAULICS MODULE, G2003P

Item No.	Part No.	Qty.	Description
	T03-517205-CAN		MOD,GC HYDRAULIC G2003P
DWG	001-301706-DWG		MOD,HYDRAULIC SUCTION
1	001-201973-	2	ASSY-COIL
2	003-301031-	2	VALVE,2 STAGE EXT. SLEEVE
3	005-129498-	6	LOCKNUT,CONDUIT
4	-126817-	8	WASHER-FLAT CAN
5	001-301204-	2	TUBE,VALVE TO OUTLET
6	-129762-	8	WASHER-FLARE
7	001-301203-	1	TUBE,METER TO VALVE L.H.
8	001-301202-	1	TUBE, METER TO VALVE R.H.
9	-907070-	2	ELBO M3/8X1/4X90INV FLARE
10	001-301205-	1	TUBE,ASSY VENT CPU/BOOT
11	001-301207-	1	TUBE,ASSY VENT CPU TO CPU
12	001-300817-	2	PULSER,ASSY <a href="#">SEE SHARED ASSY MAN P/N 920345</a>
13	003-127798-	4	SCREW,SEAL
14	-916702-		SEAL WIRE
15	-916703-	2	SEAL LEAD
16	072-039786-	1	SUPPORT,METER ASSY & TOTE <a href="#">SEE SHARED ASSY MAN P/N 920345</a>
17	-918224-	1	CONN M7/8STR INVERT
18	-511096-	8	HHC S5/16-18X7/8
19	023-039310-	2	ASSY-METER 2PM-6K <a href="#">SEE SHARED ASSY MAN P/N 920345</a>
20	-300314-	2	ASSY. CHK. & PR. REL. VAL
21	-120722-	2	O RING
22	-120723-	2	O RING
23	004-047579-	2	ASSY. COMPACT PUMP(US) <a href="#">SEE SHARED ASSY MAN P/N 920345</a>
24	-918583-	1	TEE, MALE BRANCH 3/8" ODT
25	-201905-	2	PULLEY,STEEL STAMPING
26	-115550-	2	KEY,WOODRUFF #606 ANSI
27	-511670-	2	JAM N5/8-18 HEX ZN
28	-918856-	2	BELT,PLUS V, POWER TWIST
29	003-918621-	14	SCREW, HHC M8 X 18MM
30	001-047940-	1	PLATFORM,HYDRAULICS
31	-916695-	14	TTWA S1/4-20X7/8 UNSLOT
32	006-128958-	2	ADAPTER
33	-108380-	4	CHECK VALVE GASKET
34	004-918621-	6	SCREW,MACHINE M8X1.25X30M
35	001-301717-	2	MOTOR, IHP
36	002-918161-	8	NUT,CAGED 5/16-18 TINNER.
37	-507053-	8	HHC S5/16-18X5/8 ZN G2
38	-902017-	8	LOCK W5/16X1/8X1/16 ZN
39	-027944-	2	PULLEY
40	071-039786-	1	SUPPORT,METER ASSY & TOTE <a href="#">SEE SHARED ASSY MAN P/N 920345</a>
41	-918223-	1	ELBO M 7/8 90DEG INVERTED
42	001-301412-	1	CONDUIT MOTOR,LEFT
43	001-301413-	1	CONDUIT MOTOR,RIGHT
44	001-047939-	2	SUPPORT,PLATFORM
45	002-916545-	2	PLWA S#8-3/8 PHILL HEX HD

TABLE 30. T03-517205-CAN - HYDRAULICS MODULE, G2003P

Item No.	Part No.	Qty.	Description
46	001-301333-	2	BOOT,NOZZLE ASSY - LTS <a href="#">SEE SHARED ASSY MAN P/N 920345</a>
47	001-301375-	2	BRACKET,NOZZLE BOOT
48	-913733-	2	SOHC S5/16-18X1 ALLEN
49	-918210-	8	HEX N1/4-20 STOP
50	002-301240-	2	OUTLET,ASSY <a href="#">SEE SHARED ASSY MAN P/N 920345</a>
51	-904314-	14	FLAT W5/16 SAE ZN
52	-512101-	2	UNION 1-1/2 F.F.
53	-200403-	2	DISC
54	001-127756-750	2	NIPPLE 1-1/2X1-3/4 GALV.
56	-201829-	2	ASSY. STRAINER <a href="#">SEE SHARED ASSY MAN P/N 920345</a>
57	-129882-	2	GASKET, INLET
62	-907121-	2	BUSHING-END CE-12

TABLE 31. T03-517205-ISL - HYDRAULICS MODULE, G2003P/2

Item No.	Part No.	Qty.	Description
	T03-517205-ISL		MOD,HYDRAULICS,G2003P/2
	001-006617-00D		INSTRUCTION,SEAL ASSY
DWG	001-301706-DWG		MOD,HYDRAULIC SUCTION
	-027944-	1	PULLEY
	077-039310-	2	METER,ASSY 2PM-6-77 <a href="#">SEE SHARED ASSY MAN P/N 920345</a>
	-047090-	1	SUPPORT,METER MACHINED
	-047092-	1	SUPPORT,METER MACHINED
	004-047579-	1	ASSY. COMPACT PUMP(US) <a href="#">SEE SHARED ASSY MAN P/N 920345</a>
	001-047939-	2	SUPPORT,PLATFORM
	001-047940-	1	PLATFORM,HYDRAULICS
	-108380-	2	CHECK VALVE GASKET
	-115550-	1	KEY,WOODRUFF #606 ANSI
	-120722-	1	O RING
	-120723-	1	O RING
	-126817-	4	WASHER-FLAT CAN
	001-127756-750	1	NIPPLE 1-1/2X1-3/4 GALV.
	003-127798-	2	SCREW,SEAL
	006-128958-	1	ADAPTER
	005-129498-	3	LOCKNUT,CONDUIT
	-129762-	4	WASHER-FLARE
	-129882-	1	GASKET, INLET
	-200403-	1	DISC
	-201829-	1	ASSY. STRAINER <a href="#">SEE SHARED ASSY MAN P/N 920345</a>
	-201905-	1	PULLEY,STEEL STAMPING
	002-201973-	2	ASSY-COIL
	-300314-	1	ASSY. CHK. & PR. REL. VAL
	001-300817-	1	PULSER,ASSY <a href="#">SEE SHARED ASSY MAN P/N 920345</a>
	003-301031-	1	VALVE,2 STAGE EXT. SLEEVE
	001-301203-	1	TUBE,METER TO VALVE L.H.
	001-301204-	1	TUBE,VALVE TO OUTLET
	001-301205-	1	TUBE,ASSY VENT CPU/BOOT
	002-301241-	1	OUTLET,ASSY HI-CAPACITY <a href="#">SEE SHARED ASSY MAN P/N 920345</a>
	001-301334-	1	BOOT,NOZZLE ASSY-AUTO-ON <a href="#">SEE SHARED ASSY MAN P/N 920345</a>
	001-301375-	1	BRACKET,NOZZLE BOOT
	001-301412-	1	CONDUIT MOTOR,LEFT
	002-301717-	1	MOTOR,IHP
	-507053-	4	HHC S5/16-18X5/8 ZN G2
	-511096-	4	HHC S5/16-18X7/8
	007-511297-	2	SOBU S1/4-20X1 SS
	-511670-	1	JAM N5/8-18 HEX ZN
	-512101-	1	UNION 1-1/2 F.F.
	-512725-	1	BUSH M3/4 COND-FIBER-END
	-902017-	4	LOCK W5/16X1/8X1/16 ZN
	-907070-	2	ELBO M3/8X1/4X90INV FLARE
	-913733-	1	SOHC S5/16-18X1 ALLEN
	-916545-	1	PLWA S#8-3/8LOCK RIBS T30
	-916702-		SEAL WIRE
	-916703-	1	SEAL LEAD
	002-918161-	4	NUT,CAGED 5/16-18 TINNER.
	-918210-	4	HEX N1/4-20 STOP
	-918224-	1	CONN M7/8STR INVERT
	-918513-	12	SCREW,SHAKEPROOF TAP/R TH
	003-918621-	7	SCREW, HHC M8 X 18MM
	004-918621-	3	SCREW,MACHINE M8X1.25X30M
	-918856-	1	BELT,PLUS V, POWER TWIST

**TABLE 32. T21-517205-CAN - HYDRAULICS MODULE, G2003P/2**

Item No.	Part No.	Qty.	Description
	T21-517205-CAN		MOD,GC HYD G2003P/2
DWG	001-301706-DWG		MOD,HYDRAULIC SUCTION
1	001-201973-	2	ASSY-COIL
2	003-301031-	2	VALVE,2 STAGE EXT. SLEEVE
3	005-129498-	6	LOCKNUT,CONDUIT
4	-126817-	8	WASHER-FLAT CAN
5	001-301204-	2	TUBE,VALVE TO OUTLET
6	-129762-	8	WASHER-FLARE
7	001-301203-	1	TUBE,METER TO VALVE L.H.
8	001-301202-	1	TUBE, METER TO VALVE R.H.
9	-907070-	2	ELBO M3/8X1/4X90INV FLARE
10	001-301205-	1	TUBE,ASSY VENT CPU/BOOT
11	001-301207-	1	TUBE,ASSY VENT CPU TO CPU
12	001-300817-	2	PULSER,ASSY <a href="#">SEE SHARED ASSY MAN P/N 920345</a>
13	003-127798-	4	SCREW,SEAL
14	-916702-		SEAL WIRE
15	-916703-	2	SEAL LEAD
16	072-039786-	1	SUPPORT,METER ASSY & TOTE <a href="#">SEE SHARED ASSY MAN P/N 920345</a>
17	-918224-	1	CONN M7/8STR INVERT
18	-511096-	8	HHC S5/16-18X7/8
19	023-039310-	2	ASSY-METER 2PM-6K <a href="#">SEE SHARED ASSY MAN P/N 920345</a>
20	-300314-	2	ASSY. CHK. & PR. REL. VAL
21	-120722-	2	O RING
22	-120723-	2	O RING
23	004-047579-	2	ASSY. COMPACT PUMP(US) <a href="#">SEE SHARED ASSY MAN P/N 920345</a>
24	-918583-	1	TEE, MALE BRANCH 3/8" ODT
25	-201905-	2	PULLEY,STEEL STAMPING
26	-115550-	2	KEY,WOODRUFF #606 ANSI
27	-511670-	2	JAM N5/8-18 HEX ZN
28	-918856-	2	BELT,PLUS V, POWER TWIST
29	003-918621-	14	SCREW, HHC M8 X 18MM
30	001-047940-	1	PLATFORM,HYDRAULICS
31	-916695-	14	TTWA S1/4-20X7/8 UNSLOT
32	006-128958-	2	ADAPTER
33	-108380-	4	CHECK VALVE GASKET
34	004-918621-	6	SCREW,MACHINE M8X1.25X30M
35	001-301717-	2	MOTOR, IHP
36	002-918161-	8	NUT,CAGED 5/16-18 TINNER.
37	-507053-	8	HHC S5/16-18X5/8 ZN G2
38	-902017-	8	LOCK W5/16X1/8X1/16 ZN
39	-027944-	2	PULLEY
40	071-039786-	1	SUPPORT,METER ASSY & TOTE <a href="#">SEE SHARED ASSY MAN P/N 920345</a>
41	-918223-	1	ELBO M 7/8 90DEG INVERTED
42	001-301412-	1	CONDUIT MOTOR,LEFT
43	001-301413-	1	CONDUIT MOTOR,RIGHT
44	001-047939-	2	SUPPORT,PLATFORM
45	-916545-	2	PLWA S#8-3/8LOCK RIBS T30

**TABLE 32. T21-517205-CAN - HYDRAULICS MODULE, G2003P/2**

<b>Item No.</b>	<b>Part No.</b>	<b>Qty.</b>	<b>Description</b>
46	001-301333-	2	BOOT,NOZZLE ASSY - LTS <a href="#">SEE SHARED ASSY MAN P/N 920345</a>
47	001-301375-	2	BRACKET,NOZZLE BOOT
48	-913733-	2	SOHC S5/16-18X1 ALLEN
49	-918210-	8	HEX N1/4-20 STOP
50	002-301241-	2	OUTLET,ASSY HI-CAPACITY <a href="#">SEE SHARED ASSY MAN P/N 920345</a>
51	-904314-	14	FLAT W5/16 SAE ZN
52	-512101-	2	UNION 1-1/2 F.F.
53	-200403-	2	DISC
54	001-127756-750	2	NIPPLE 1-1/2X1-3/4 GALV.
56	-201829-	2	ASSY. STRAINER <a href="#">SEE SHARED ASSY MAN P/N 920345</a>
57	-129882-	2	GASKET, INLET
62	-907121-	2	BUSHING-END CE-12

TABLE 33. T33-517205-CAN - HYDRAULICS MODULE, G2003P/Z4

Item No.	Part No.	Qty.	Description
	T33-517205-CAN		MOD,HYD,G2003P/Z4
DWG	001-301706-DWG		MOD,HYDRAULIC SUCTION
	001-006617-00D		INSTRUCTION,SEAL ASSY
	-027944-	2	PULLEY
	023-039310-	2	ASSY-METER 2PM-6K <a href="#">SEE SHARED ASSY MAN P/N 920345</a>
	071-039786-	1	SUPPORT,METER ASSY & TOTE <a href="#">SEE SHARED ASSY MAN P/N 920345</a>
	072-039786-	1	SUPPORT,METER ASSY & TOTE <a href="#">SEE SHARED ASSY MAN P/N 920345</a>
	004-047579-	2	ASSY. COMPACT PUMP(US) <a href="#">SEE SHARED ASSY MAN P/N 920345</a>
	001-047939-	2	SUPPORT,PLATFORM
	001-047940-	1	PLATFORM,HYDRAULICS
	-108380-	4	CHECK VALVE GASKET
	-115550-	2	KEY,WOODRUFF #606 ANSI
	-120722-	2	O RING
	-120723-	2	O RING
	001-127756-750	2	NIPPLE 1-1/2X1-3/4 GALV.
	003-127798-	4	SCREW,SEAL
	-127817-	8	DISC-VALVE
	006-128958-	2	ADAPTER
	-129498-	6	LOCK N1/2 CONDUIT
	-129762-	8	WASHER-FLARE
	-129882-	2	GASKET, INLET
	-200403-	2	DISC
	-201829-	2	ASSY. STRAINER <a href="#">SEE SHARED ASSY MAN P/N 920345</a>
	-201905-	2	PULLEY,STEEL STAMPING
	002-201973-	2	ASSY-COIL
	-300314-	2	ASSY. CHK. & PR. REL. VAL
	001-300817-	2	PULSER,ASSY <a href="#">SEE SHARED ASSY MAN P/N 920345</a>
	003-301031-	2	VALVE,2 STAGE EXT. SLEEVE
	001-301202-	1	TUBE, METER TO VALVE R.H.
	001-301203-	1	TUBE,METER TO VALVE L.H.
	001-301204-	2	TUBE,VALVE TO OUTLET
	001-301205-	1	TUBE,ASSY VENT CPU/BOOT
	001-301207-	1	TUBE,ASSY VENT CPU TO CPU
	002-301240-	2	OUTLET,ASSY
	001-301333-	2	BOOT,NOZZLE ASSY - LTS <a href="#">SEE SHARED ASSY MAN P/N 920345</a>
	001-301375-	2	BRACKET,NOZZLE BOOT
	001-301412-	1	CONDUIT MOTOR,LEFT
	001-301413-	1	CONDUIT MOTOR,RIGHT
	001-301717-	2	MOTOR,IHP
	-507053-	8	HHC S5/16-18X5/8 ZN G2
	-511096-	8	HHC S5/16-18X7/8
	007-511297-	4	SOBU S1/4-20X1 SS
	-511670-	2	JAM N5/8-18 HEX ZN
	-512101-	2	UNION 1-1/2 F.F.
	-512725-	2	BUSH M3/4 COND-FIBER-END
	-902017-	8	LOCK W5/16X1/8X1/16 ZN
	-907070-	2	ELBO M3/8X1/4X90INV FLARE

**TABLE 33. T33-517205-CAN - HYDRAULICS MODULE, G2003P/Z4**

<b>Item No.</b>	<b>Part No.</b>	<b>Qty.</b>	<b>Description</b>
	-913733-	2	SOHC S5/16-18X1 ALLEN
	-916545-	2	PLWA S#8-3/8LOCK RIBS T30
	-916702-		SEAL WIRE
	-916703-	2	SEAL LEAD
	002-918161-	8	NUT,CAGED 5/16-18 TINNER.
	-918210-	8	HEX N1/4-20 STOP
	-918223-	1	ELBO M 7/8 90DEG INVERTED
	-918224-	1	CONN M7/8STR INVERT
	-918513-	12	SCREW,SHAKEPROOF TAP/R TH
	-918583-	1	TEE, MALE BRANCH 3/8" ODT
	003-918621-	14	SCREW, HHC M8 X 18MM
	004-918621-	6	SCREW,MACHINE M8X1.25X30M
	-918856-	2	BELT,PLUS V, POWER TWIST

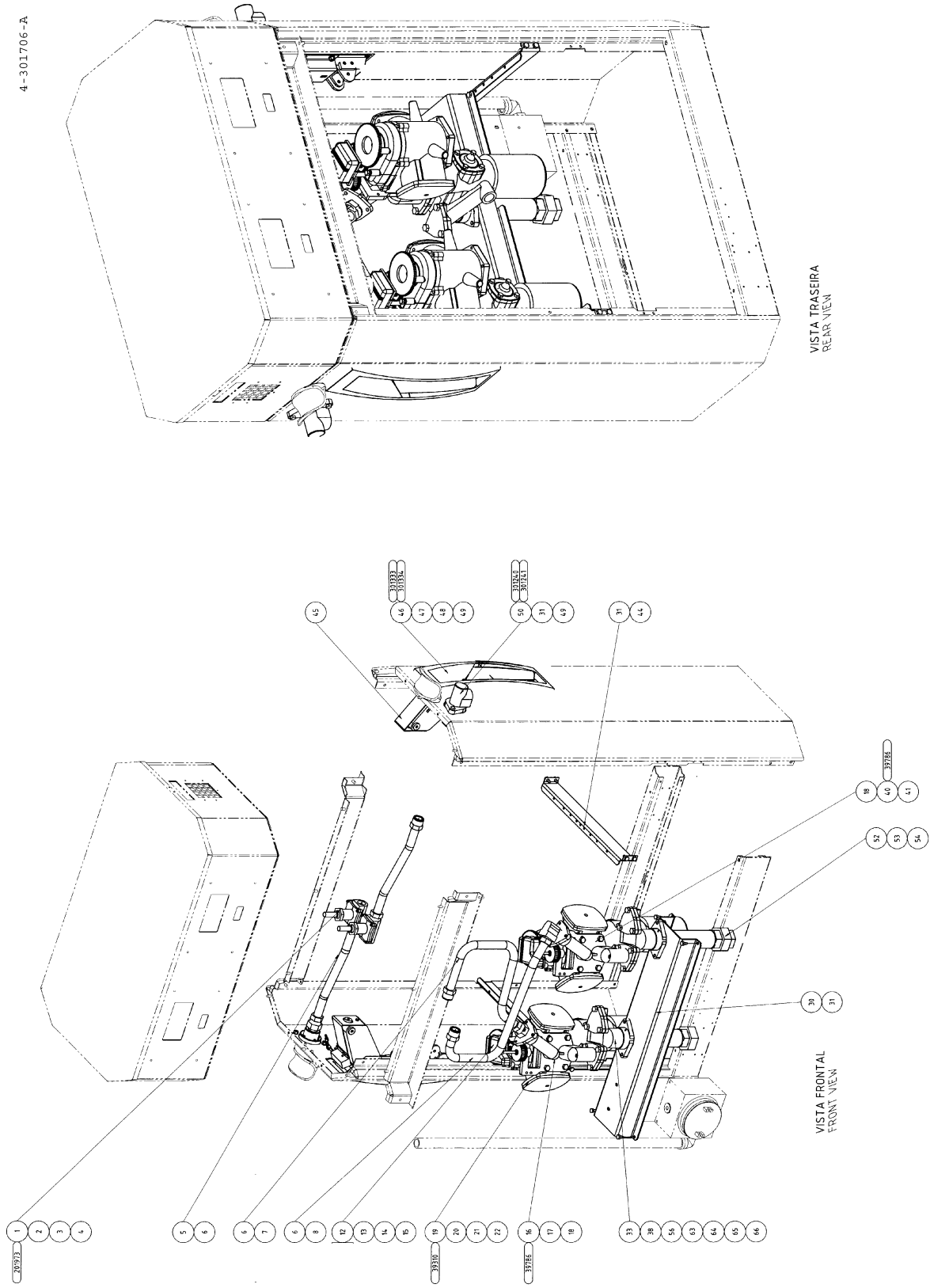


FIGURE 13. 4-301706-DWG - HYDRAULICS MODULE, DUO 2 REMOTE ISLAND

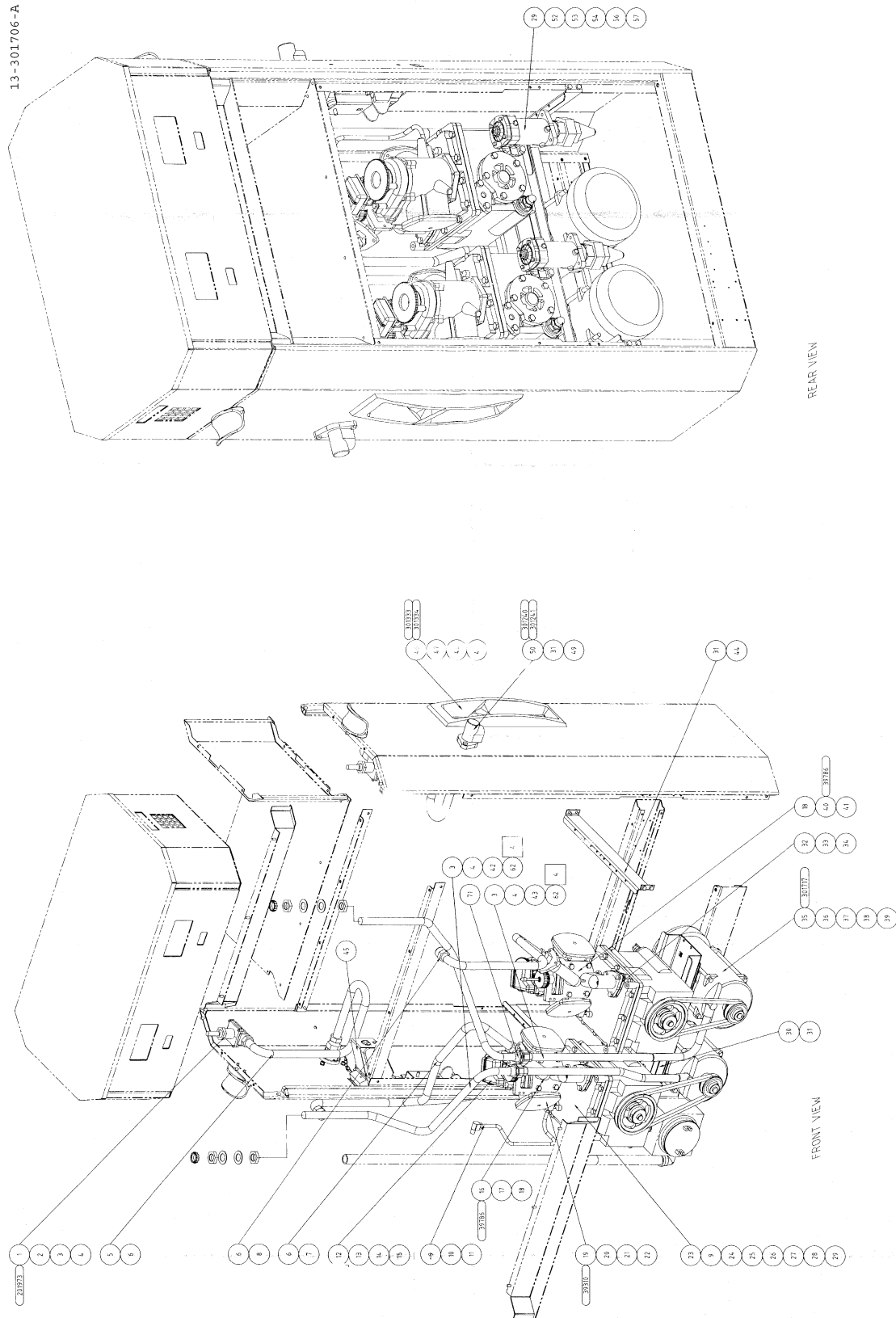
TABLE 34. T04-517205-CAN - HYDRAULICS MODULE, G2003D/G

Item No.	Part No.	Qty.	Description
	T04-517205-CAN		MOD,GC HYDRAULIC G2003D/G
DWG	004-301706-DWG		MOD,HYDRAULIC REMOTE
1	001-201973-	2	ASSY-COIL
2	003-301031-	2	VALVE,2 STAGE EXT. SLEEVE
3	005-129498-	2	LOCKNUT,CONDUIT
4	-126817-	4	WASHER-FLAT CAN
5	001-301204-	2	TUBE,VALVE TO OUTLET
6	-129762-	8	WASHER-FLARE
7	001-301203-	1	TUBE,METER TO VALVE L.H.
8	001-301202-	1	TUBE, METER TO VALVE R.H.
12	001-300817-	2	PULSER,ASSY <a href="#">SEE SHARED ASSY MAN P/N 920345</a>
13	003-127798-	4	SCREW,SEAL
14	-916702-		SEAL WIRE
15	-916703-	2	SEAL LEAD
16	072-039786-	1	SUPPORT,METER ASSY & TOTE <a href="#">SEE SHARED ASSY MAN P/N 920345</a>
17	-918224-	1	CONN M7/8STR INVERT
18	-511096-	8	HHC S5/16-18X7/8
19	023-039310-	2	ASSY-METER 2PM-6K <a href="#">SEE SHARED ASSY MAN P/N 920345</a>
20	-300314-	2	ASSY. CHK. & PR. REL. VAL
21	-120722-	2	O RING
22	-120723-	2	O RING
30	002-047940-	1	PLATFORM,HYDRAULICS
31	-916695-	14	TTWA S1/4-20X7/8 UNSLOT
33	-108380-	4	CHECK VALVE GASKET
40	071-039786-	1	SUPPORT,METER ASSY & TOTE <a href="#">SEE SHARED ASSY MAN P/N 920345</a>
41	-918223-	1	ELBO M 7/8 90DEG INVERTED
44	001-047939-	2	SUPPORT,PLATFORM
45	002-916545-	2	PLWA S#8-3/8 PHILL HEX HD
46	001-301333-	2	BOOT,NOZZLE ASSY - LTS <a href="#">SEE SHARED ASSY MAN P/N 920345</a>
47	001-301375-	2	BRACKET,NOZZLE BOOT
48	-913733-	2	SOHC S5/16-18X1 ALLEN
49	-918210-	8	HEX N1/4-20 STOP
50	002-301240-	2	OUTLET,ASSY <a href="#">SEE SHARED ASSY MAN P/N 920345</a>
52	-512101-	2	UNION 1-1/2 F.F.
53	-200403-	2	DISC
54	011-127756-500	2	NIPPLE 1-1/2X11-1/2
56	004-039656-	2	ASSY. STRAINER FILTER FIT <a href="#">SEE SHARED ASSY MAN P/N 920345</a>
63	-507053-	6	HHC S5/16-18X5/8 ZN G2
64	-507284-	12	HHC S5/16-18X3/4SS ZN G2
65	-028791-	2	COVER
66	-907407-	2	FILTER
68	001-916931-	4	WASHER - SPECIAL
69	004-916931-	2	WASHER - SPECIAL
70	-511883-	2	NUT, STOP 5/16-18 ZINC PL

TABLE 35. T19-517205-CAN - HYDRAULICS MODULE, G2003D/2G

Item No.	Part No.	Qty.	Description
	T19-517205-CAN		MOD,GC HYD G2003D/2G
DWG	004-301706-DWG		MOD,HYDRAULIC REMOTE
1	001-201973-	2	ASSY-COIL
2	003-301031-	2	VALVE,2 STAGE EXT. SLEEVE
3	-129498-	2	LOCK N1/2 CONDUIT
4	-126817-	4	WASHER-FLAT CAN
5	001-301204-	2	TUBE,VALVE TO OUTLET
6	-129762-	8	WASHER-FLARE
7	001-301203-	1	TUBE,METER TO VALVE L.H.
8	001-301202-	1	TUBE, METER TO VALVE R.H.
12	001-300817-	2	PULSER,ASSY <a href="#">SEE SHARED ASSY MAN P/N 920345</a>
13	003-127798-	4	SCREW,SEAL
14	-916702-		SEAL WIRE
15	-916703-	2	SEAL LEAD
16	072-039786-	1	SUPPORT,METER ASSY & TOTE <a href="#">SEE SHARED ASSY MAN P/N 920345</a>
17	-918224-	1	CONN M7/8STR INVERT
18	-511096-	8	HHC S5/16-18X7/8
19	023-039310-	2	ASSY-METER 2PM-6K <a href="#">SEE SHARED ASSY MAN P/N 920345</a>
20	-300314-	2	ASSY. CHK. & PR. REL. VAL
21	-120722-	2	O RING
22	-120723-	2	O RING
30	002-047940-	1	PLATFORM,HYDRAULICS
31	-916695-	14	TTWA S1/4-20X7/8 UNSLOT
33	-108380-	4	CHECK VALVE GASKET
40	071-039786-	1	SUPPORT,METER ASSY & TOTE <a href="#">SEE SHARED ASSY MAN P/N 920345</a>
41	-918223-	1	ELBO M 7/8 90DEG INVERTED
44	001-047939-	2	SUPPORT,PLATFORM
45	-916545-	2	PLWA S#8-3/8LOCK RIBS T30
46	001-301333-	2	BOOT,NOZZLE ASSY - LTS <a href="#">SEE SHARED ASSY MAN P/N 920345</a>
47	001-301375-	2	BRACKET,NOZZLE BOOT
48	-913733-	2	SOHC S5/16-18X1 ALLEN
49	-918210-	8	HEX N1/4-20 STOP
50	002-301241-	2	OUTLET,ASSY HI-CAPACITY <a href="#">SEE SHARED ASSY MAN P/N 920345</a>
52	-512101-	2	UNION 1-1/2 F.F.
53	-200403-	2	DISC
54	011-127756-500	2	NIPPLE 1-1/2X11-1/2
56	004-039656-	2	ASSY. STRAINER FILTER FIT <a href="#">SEE SHARED ASSY MAN P/N 920345</a>
63	-507053-	6	HHC S5/16-18X5/8 ZN G2
64	-507284-	12	HHC S5/16-18X3/4SS ZN G2
65	-028791-	2	COVER
66	-907407-	2	FILTER
68	001-916931-	4	WASHER - SPECIAL
69	004-916931-	2	WASHER - SPECIAL
70	-511883-	2	NUT, STOP 5/16-18 ZINC PL





**FIGURE 14. 13-301706-DWG - HYDRAULICS MODULE, DUO 2 SUCTION ISLAND COLUMN**

TABLE 36. T22-517205-CAN - HYDRAULICS MODULE, G2203P

Item No.	Part No.	Qty.	Description
	T22-517205-CAN		MOD,HYD G2203P
	001-006617-00D		INSTRUCTION,SEAL ASSY
DWG	013-301706-DWG		MOD,HYD SUCTION
	-027944-	2	PULLEY
	023-039310-	2	ASSY-METER 2PM-6K <a href="#">SEE SHARED ASSY MAN P/N 920345</a>
	071-039786-	1	SUPPORT,METER ASSY & TOTE <a href="#">SEE SHARED ASSY MAN P/N 920345</a>
	072-039786-	1	SUPPORT,METER ASSY & TOTE <a href="#">SEE SHARED ASSY MAN P/N 920345</a>
	004-047579-	2	ASSY. COMPACT PUMP(US) <a href="#">SEE SHARED ASSY MAN P/N 920345</a>
	001-047939-	2	SUPPORT,PLATFORM
	001-047940-	1	PLATFORM,HYDRAULICS
	-108380-	4	CHECK VALVE GASKET
	-115550-	2	KEY,WOODRUFF #606 ANSI
	-120722-	2	O RING
	-120723-	2	O RING
	-122265-	2	UNION,1/2 CONDUIT
	-126817-	8	WASHER-FLAT CAN
	001-127756-750	2	NIPPLE 1-1/2X1-3/4 GALV.
	003-127798-	4	SCREW,SEAL
	006-128958-	2	ADAPTER
	-129498-	6	LOCK N1/2 CONDUIT
	-129762-	6	WASHER-FLARE
	-129882-	2	GASKET, INLET
	-200403-	2	DISC
	-201829-	2	ASSY. STRAINER <a href="#">SEE SHARED ASSY MAN P/N 920345</a>
	-201905-	2	PULLEY,STEEL STAMPING
	001-201973-	2	ASSY-COIL
	-300314-	2	ASSY. CHK. & PR. REL. VAL
	001-300817-	2	PULSER,ASSY <a href="#">SEE SHARED ASSY MAN P/N 920345</a>
	003-301031-	2	VALVE,2 STAGE EXT. SLEEVE
	002-301205-	1	TUBE,CPU TO BOOT
	001-301207-	1	TUBE,ASSY VENT CPU TO CPU
	002-301240-	2	OUTLET,ASSY <a href="#">SEE SHARED ASSY MAN P/N 920345</a>
	001-301333-	2	BOOT,NOZZLE ASSY - LTS
	001-301375-	2	BRACKET,NOZZLE BOOT
	002-301412-	1	CONDUIT MOTOR, LH
	001-301413-	1	CONDUIT MOTOR,RIGHT
	001-301491-	1	TUBE,METER TO VALVE 1
	001-301492-	1	TUBE,METER TO VALVE 2
	001-301493-	2	TUBE,VALVE TO OUTLET
	001-301495-	1	CONDUIT MOTOR LH
	001-301496-	1	CONDUIT MOTOR RH
	001-301717-	2	MOTOR,1HP
	-507053-	8	HHC S5/16-18X5/8 ZN G2
	-511096-	8	HHC S5/16-18X7/8
	-511670-	2	JAM N5/8-18 HEX ZN
	-512101-	2	UNION 1-1/2 F.F.
	-902017-	14	LOCK W5/16X1/8X1/16 ZN

**TABLE 36. T22-517205-CAN - HYDRAULICS MODULE, G2203P**

<b>Item No.</b>	<b>Part No.</b>	<b>Qty.</b>	<b>Description</b>
	-904314-	14	FLAT W5/16 SAE ZN
	-907070-	2	ELBO M3/8X1/4X90INV FLARE
	-907121-	2	BUSHING-END CE-12
	-913733-	2	SOHC S5/16-18X1 ALLEN
	-916545-	2	PLWA S#8-3/8LOCK RIBS T30
	-916695-	14	TTWA S1/4-20X7/8 UNSLOT
	-916702-		SEAL WIRE
	-916703-	2	SEAL LEAD
	002-918161-	8	NUT,CAGED 5/16-18 TINNER.
	-918210-	8	HEX N1/4-20 STOP
	-918223-	1	ELBO M 7/8 90DEG INVERTED
	-918224-	1	CONN M7/8STR INVERT
	-918583-	1	TEE, MALE BRANCH 3/8" ODT
	003-918621-	14	SCREW, HHC M8 X 18MM
	004-918621-	6	SCREW,MACHINE M8X1.25X30M
	-918856-	2	BELT,PLUS V, POWER TWIST

TABLE 37. T29-517205-CAN - HYDRAULICS MODULE, G2203P/Z4 220V

Item No.	Part No.	Qty.	Description
	T29-517205-CAN		MOD,HYD,G2203P/Z4
DWG	013-301706-DWG		MOD,HYD SUCTION
	001-006617-00D		INSTRUCTION,SEAL ASSY
	-027944-	2	PULLEY
	023-039310-	2	ASSY-METER 2PM-6K <a href="#">SEE SHARED ASSY MAN P/N 920345</a>
	071-039786-	1	SUPPORT,METER ASSY & TOTE <a href="#">SEE SHARED ASSY MAN P/N 920345</a>
	072-039786-	1	SUPPORT,METER ASSY & TOTE <a href="#">SEE SHARED ASSY MAN P/N 920345</a>
	004-047579-	2	ASSY. COMPACT PUMP(US) <a href="#">SEE SHARED ASSY MAN P/N 920345</a>
	001-047939-	2	SUPPORT,PLATFORM
	001-047940-	1	PLATFORM,HYDRAULICS
	-108380-	4	CHECK VALVE GASKET
	-115550-	2	KEY,WOODRUFF #606 ANSI
	-120722-	2	O RING
	-120723-	2	O RING
	-122265-	2	UNION,1/2 CONDUIT
	-126817-	8	WASHER-FLAT CAN
	001-127756-750	2	NIPPLE 1-1/2X1-3/4 GALV.
	003-127798-	4	SCREW,SEAL
	006-128958-	2	ADAPTER
	-129498-	6	LOCK N1/2 CONDUIT
	-129762-	12	WASHER-FLARE
	-129882-	2	GASKET, INLET
	-200403-	2	DISC
	-201829-	2	ASSY. STRAINER <a href="#">SEE SHARED ASSY MAN P/N 920345</a>
	-201905-	2	PULLEY,STEEL STAMPING
	002-201973-	2	ASSY-COIL
	-300314-	2	ASSY. CHK. & PR. REL. VAL
	001-300817-	2	PULSER,ASSY <a href="#">SEE SHARED ASSY MAN P/N 920345</a>
	003-301031-	2	VALVE,2 STAGE EXT. SLEEVE
	002-301205-	1	TUBE,CPU TO BOOT
	001-301207-	1	TUBE,ASSY VENT CPU TO CPU
	002-301240-	2	OUTLET,ASSY <a href="#">SEE SHARED ASSY MAN P/N 920345</a>
	001-301333-	2	BOOT,NOZZLE ASSY - LTS <a href="#">SEE SHARED ASSY MAN P/N 920345</a>
	001-301375-	2	BRACKET,NOZZLE BOOT
	002-301412-	1	CONDUIT MOTOR, LH
	002-301413-	1	CONDUIT MOTOR,RIGHT
	001-301491-	1	TUBE,METER TO VALVE 1
	001-301492-	1	TUBE,METER TO VALVE 2
	001-301493-	2	TUBE,VALVE TO OUTLET
	001-301495-	1	CONDUIT MOTOR LH
	001-301496-	1	CONDUIT MOTOR RH
	001-301717-	2	MOTOR,IHP
	-507053-	8	HHC S5/16-18X5/8 ZN G2
	-511096-	8	HHC S5/16-18X7/8
	-511670-	2	JAM N5/8-18 HEX ZN
	-512101-	2	UNION 1-1/2 F.F.
	-902017-	14	LOCK W5/16X1/8X1/16 ZN

**TABLE 37. T29-517205-CAN - HYDRAULICS MODULE, G2203P/Z4 220V**

<b>Item No.</b>	<b>Part No.</b>	<b>Qty.</b>	<b>Description</b>
	-904314-	14	FLAT W5/16 SAE ZN
	-907070-	2	ELBO M3/8X1/4X90INV FLARE
	-907121-	2	BUSHING-END CE-12
	-913733-	2	SOHC S5/16-18X1 ALLEN
	-916545-	2	PLWA S#8-3/8LOCK RIBS T30
	-916695-	14	TTWA S1/4-20X7/8 UNSLOT
	-916702-		SEAL WIRE
	-916703-	2	SEAL LEAD
	002-918161-	8	NUT,CAGED 5/16-18 TINNER.
	-918210-	8	HEX N1/4-20 STOP
	-918223-	1	ELBO M 7/8 90DEG INVERTED
	-918224-	1	CONN M7/8STR INVERT
	-918583-	1	TEE, MALE BRANCH 3/8" ODT
	003-918621-	14	SCREW, HHC M8 X 18MM
	004-918621-	6	SCREW,MACHINE M8X1.25X30M
	-918856-	2	BELT,PLUS V, POWER TWIST



16-301706-A

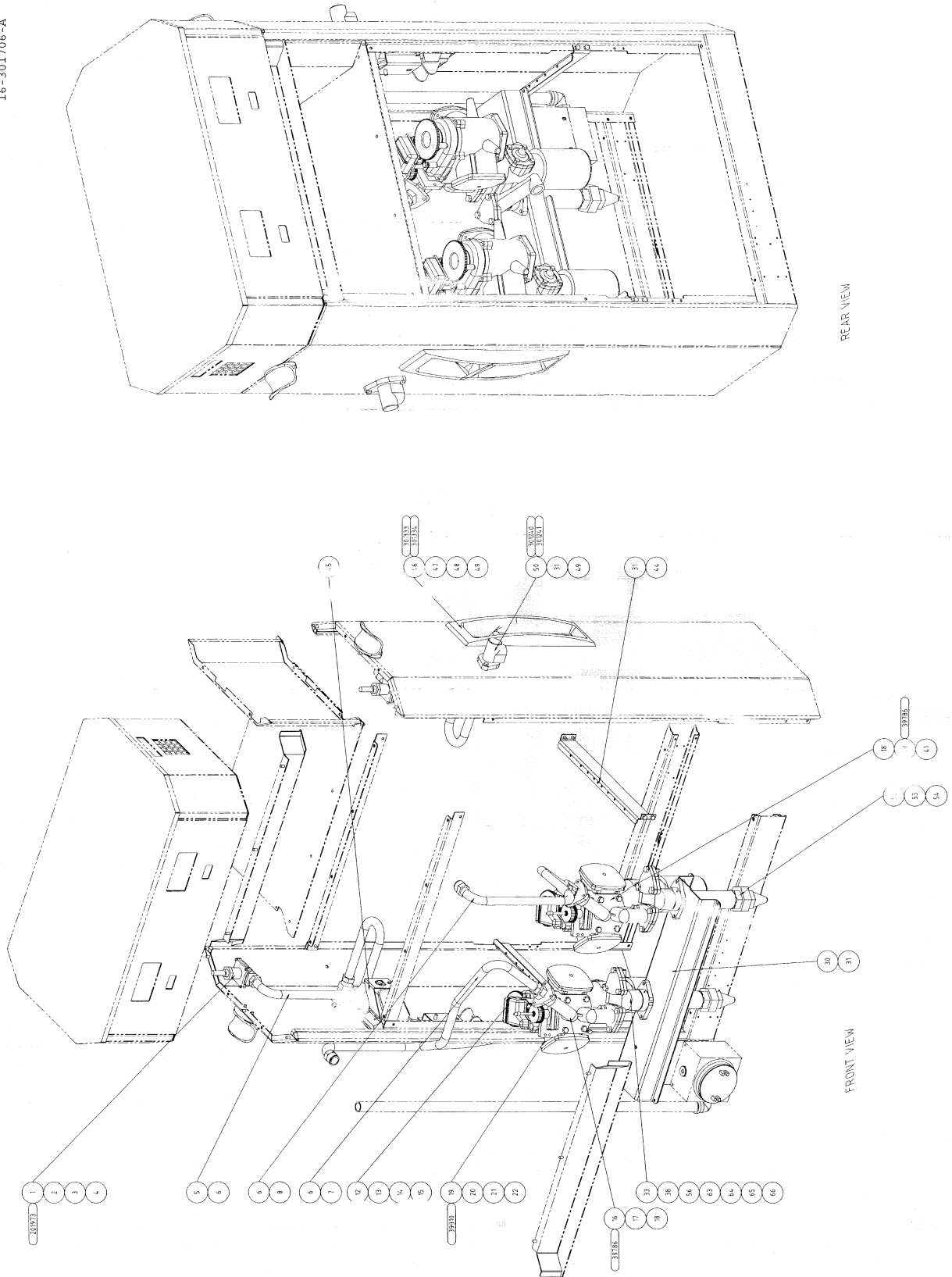


FIGURE 15. 16-301706-DWG - HYDRAULICS MODULE, DUO 2 REMOTE ISLAND COLUMN

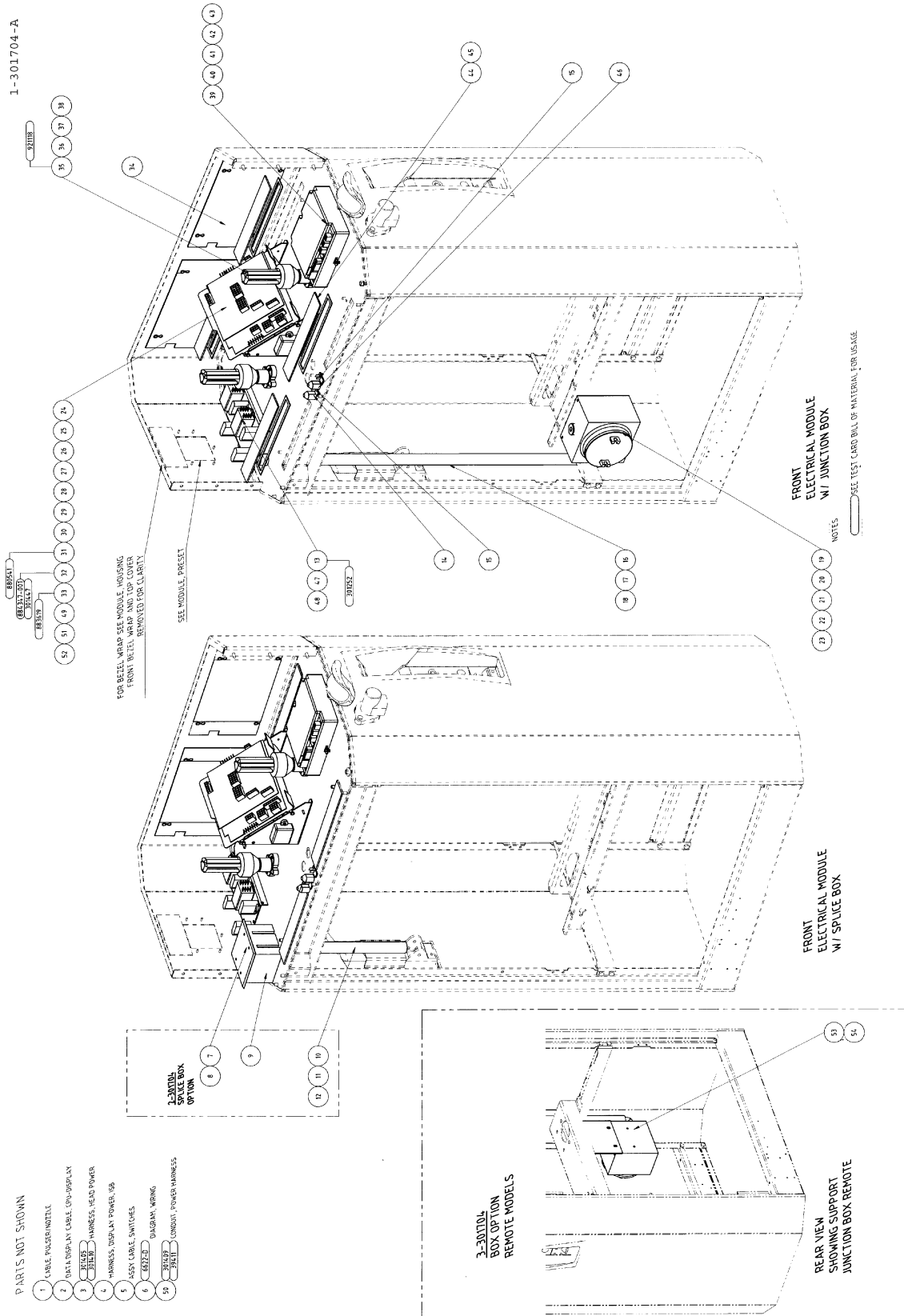
TABLE 38. T23-517205-CAN - HYDRAULICS MODULE, G2203D/G

Item No.	Part No.	Qty.	Description
	T23-517205-CAN		MOD,HYD G2203D/G
DWG	016-301706-DWG		MOD,HYD REMOTE
	-028791-	2	COVER
	023-039310-	2	ASSY-METER 2PM-6K <a href="#">SEE SHARED ASSY MAN P/N 920345</a>
	004-039656-	2	ASSY. STRAINER FILTER FIT <a href="#">SEE SHARED ASSY MAN P/N 920345</a>
	071-039786-	1	SUPPORT,METER ASSY & TOTE <a href="#">SEE SHARED ASSY MAN P/N 920345</a>
	072-039786-	1	SUPPORT,METER ASSY & TOTE <a href="#">SEE SHARED ASSY MAN P/N 920345</a>
	001-047939-	2	SUPPORT,PLATFORM
	002-047940-	1	PLATFORM,HYDRAULICS
	-108380-	4	CHECK VALVE GASKET
	-120722-	2	O RING
	-120723-	2	O RING
	-126817-	4	WASHER-FLAT CAN
	003-127798-	4	SCREW,SEAL
	-129498-	2	LOCK N1/2 CONDUIT
	-129762-	8	WASHER-FLARE
	-200403-	2	DISC
	001-201793-	2	ASSY. SHAFT & LEVER
	-300314-	2	ASSY. CHK. & PR. REL. VAL
	001-300817-	2	PULSER,ASSY
	003-301031-	2	VALVE,2 STAGE EXT. SLEEVE
	002-301240-	2	OUTLET,ASSY <a href="#">SEE SHARED ASSY MAN P/N 920345</a>
	001-301333-	2	BOOT,NOZZLE ASSY - LTS <a href="#">SEE SHARED ASSY MAN P/N 920345</a>
	001-301375-	2	BRACKET,NOZZLE BOOT
	001-301491-	1	TUBE,METER TO VALVE 1
	001-301492-	1	TUBE,METER TO VALVE 2
	001-301493-	2	TUBE,VALVE TO OUTLET
	-507053-	6	HHC S5/16-18X5/8 ZN G2
	-507284-	12	HHC S5/16-18X3/4SS ZN G2
	-511096-	8	HHC S5/16-18X7/8
	-511883-	2	NUT, STOP 5/16-18 ZINC PL
	-512101-	2	UNION 1-1/2 F.F.
	-907407-	2	FILTER
	-913733-	2	SOHC S5/16-18X1 ALLEN
	-916545-	2	PLWA S#8-3/8LOCK RIBS T30
	-916695-	14	TTWA S1/4-20X7/8 UNSLOT
	-916702-		SEAL WIRE
	-916703-	2	SEAL LEAD
	001-916931-	4	WASHER - SPECIAL
	004-916931-	2	WASHER - SPECIAL
	-918210-	8	HEX N1/4-20 STOP
	-918223-	1	ELBO M 7/8 90DEG INVERTED
	-918224-	1	CONN M7/8STR INVERT

TABLE 39. T30-517205-CAN - HYDRAULICS MODULE, G2203/2G

Item No.	Part No.	Qty.	Description
	T30-517205-CAN		MOD,HYD G2203/2G
DWG	016-301706-DWG		MOD,HYD REMOTE
	-028791-	2	COVER
	023-039310-	2	ASSY-METER 2PM-6K <a href="#">SEE SHARED ASSY MAN P/N 920345</a>
	004-039656-	2	ASSY. STRAINER FILTER FIT <a href="#">SEE SHARED ASSY MAN P/N 920345</a>
	071-039786-	1	SUPPORT,METER ASSY & TOTE <a href="#">SEE SHARED ASSY MAN P/N 920345</a>
	072-039786-	1	SUPPORT,METER ASSY & TOTE <a href="#">SEE SHARED ASSY MAN P/N 920345</a>
	001-047939-	2	SUPPORT,PLATFORM
	002-047940-	1	PLATFORM,HYDRAULICS
	-108380-	4	CHECK VALVE GASKET
	-120722-	2	O RING
	-120723-	2	O RING
	-126817-	4	WASHER-FLAT CAN
	003-127798-	4	SCREW,SEAL
	005-129498-	2	LOCKNUT,CONDUIT
	-129762-	8	WASHER-FLARE
	-200403-	2	DISC
	001-201793-	2	ASSY. SHAFT & LEVER
	-300314-	2	ASSY. CHK. & PR. REL. VAL
	001-300817-	2	PULSER,ASSY <a href="#">SEE SHARED ASSY MAN P/N 920345</a>
	003-301031-	2	VALVE,2 STAGE EXT. SLEEVE
	002-301241-	2	OUTLET,ASSY HI-CAPACITY <a href="#">SEE SHARED ASSY MAN P/N 920345</a>
	001-301333-	2	BOOT,NOZZLE ASSY - LTS <a href="#">SEE SHARED ASSY MAN P/N 920345</a>
	001-301375-	2	BRACKET,NOZZLE BOOT
	001-301491-	1	TUBE,METER TO VALVE 1
	001-301492-	1	TUBE,METER TO VALVE 2
	001-301493-	2	TUBE,VALVE TO OUTLET
	-507053-	6	HHC S5/16-18X5/8 ZN G2
	-507284-	12	HHC S5/16-18X3/4SS ZN G2
	-511096-	8	HHC S5/16-18X7/8
	-511883-	2	NUT, STOP 5/16-18 ZINC PL
	-512101-	2	UNION 1-1/2 F.F.
	-907407-	2	FILTER
	-913733-	2	SOHC S5/16-18X1 ALLEN
	-916545-	2	PLWA S#8-3/8LOCK RIBS T30
	-916695-	14	TTWA S1/4-20X7/8 UNSLOT
	-916702-		SEAL WIRE
	-916703-	2	SEAL LEAD
	001-916931-	4	WASHER - SPECIAL
	004-916931-	2	WASHER - SPECIAL
	-918210-	8	HEX N1/4-20 STOP
	-918223-	1	ELBO M 7/8 90DEG INVERTED
	-918224-	1	CONN M7/8STR INVERT





**FIGURE 16. 1-301704-DWG - ELECTRICAL MODULE**

TABLE 40. T01-517204-CAN - ELECTRICAL MODULE, G2001P

Item No.	Part No.	Qty.	Description
	T01-517204-CAN		MOD,GC ELECTRIC G2001P
DWG	001-301704-DWG		MOD,ELECTRICAL SUCTION
1	883504-001	1	PULSER/NOZZLE CABLE W/O W
2	886316-001	1	CABLE ASSY,CENTURY DATA
3	005-301405-HRN	1	HARNESS,HEAD POWER
4	883565-002	1	CABLE HARNESS
5	882880-002	1	HARNESS CABLE SWITCHES
6	003-006622-00D		WIRING,DIAGRAM G2001P.
13	001-301252-	1	MODULE RELAYS AND SUPPRE.
14	002-916749-	1	KEY SWITCH
15	001-921120-	2	SWITCH,TOGGLE
16	-512725-	1	BUSH M3/4 COND-FIBER-END
17	002-129498-	2	LOCK N CONDUIT
18	003-126817-	2	WASHER - FLAT
19	001-201953-	1	BOX,FIELD CONNECTION
20	-904260-	1	BUSH MIX3/4 THD REDUCER
21	004-124856-	1	ELBOW 90 DEG
22	-509655-	1	PLUG M1" NPT SQ HD, ZINC
23	-507254-	2	HHC S1/4-20X1/2 ZN
24	001-301199-	1	BRACKET,COMPUTER W/STUDS
25	001-301198-	1	BRACKET,COMPUTER
26	-511774-	4	FLAT W#10 SAE CD
27	-916907-	4	PHPH S#6-32X5/16 ZN
28	-918379-	3	HEX N#6-32 KEPS, ZINC
29	-918210-	2	HEX N1/4-20 STOP
30	-906441-	3	CONN MIDEAL#73B WIRENUT
31	880541-001/001	1	PCB ASSY,DUPLEX, IPROD,SOL
32	884347-001	1	CABLE,ASSY - FILTER
33	883619-002	1	COMP ASSY,V+ MGD,120V,W/
34	886386-002	2	GLOBAL CENTURY UNIT PRICE
35	001-921118-	2	LAMP,SYLVANIA 110/120V,50
36	001-921119-	2	SOCKET,LEVITON
37	-918833-	4	SCREW,PH PAN HD 4-40X 3/8
38	-513653-	4	FLAT W#8 .17X3/8X.040 ZN
39	001-300825-	1	ASSY,I.S. BOARD AND COVER <b>SEE SHARED ASSY MAN P/N 920345</b>
40	-918935-	2	SCREW,#8-32X1/4" PP M/S
41	004-129498-	1	LOCKNUT,CONDUIT
42	005-126817-	2	WASHER,FLAT
43	002-301216-HRN	1	HARNESS,POTTED PULSER/N S
44	006-201926-	4	GLASS
45	004-301253-	4	TAPE,GASKET VAPOR/ADD PNL
46	004-916191-	1	SWITCH
47	-902365-	4	CONN MIDEAL#74B WIRENUT
48	-916486-	1	TIE WRAP
49	-513210-		CABLE TIE
50	003-301409-HRN	1	HARNESS,CONDUIT POWER
51	001-301429-HRN	1	HARNESS,POWER FILTER
52	001-301408-HRN	1	CABLE,ASSY - GROUND

TABLE 41. T02-517204 - ELECTRICAL MODULE, G2001D/G

Item No.	Part No.	Qty.	Description
	T02-517204-CAN		MOD,GC ELECTRIC G2001D/G
DWG	001-301704-DWG		MOD,ELECTRICAL SUCTION
1	883504-001	1	PULSER/NOZZLE CABLE W/O W
2	886316-001	1	CABLE ASSY,CENTURY DATA
3	001-301410-HRN	1	HARNESS,WIRING HEAD G2001
4	883565-002	1	CABLE HARNESS
5	882880-002	1	HARNESS CABLE SWITCHES
6	004-006622-00D		WIRING,DIAGRAM G2001D
14	002-916749-	1	KEY SWITCH
15	001-921120-	2	SWITCH,TOGGLE
16	-512725-	1	BUSH M3/4 COND-FIBER-END
17	002-129498-	2	LOCK N CONDUIT
18	003-126817-	2	WASHER - FLAT
19	001-201953-	1	BOX,FIELD CONNECTION
20	-904260-	1	BUSH M1X3/4 THD REDUCER
21	004-124856-	1	ELBOW 90 DEG
22	-509655-	1	PLUG M1" NPT SQ HD, ZINC
23	-507254-	2	HHC S1/4-20X1/2 ZN
24	001-301199-	1	BRACKET,COMPUTER W/STUDS
25	001-301198-	1	BRACKET,COMPUTER
26	-511774-	4	FLAT W#10 SAE CD
27	-916907-	4	PHPH S#6-32X5/16 ZN
28	-918379-	3	HEX N#6-32 KEPS, ZINC
29	-918210-	2	HEX N1/4-20 STOP
30	-906441-	3	CONN MIDEAL#73B WIRENUT
31	880541-001/001	1	PCB ASSY,DUPLEX,1PROD,SOL
32	884347-001	1	CABLE,ASSY - FILTER
33	883619-002	1	COMP ASSY,V+ MGD,120V,W/
34	886386-002	2	GLOBAL CENTURY UNIT PRICE
35	001-921118-	2	LAMP,SYLVANIA 110/120V,50
36	001-921119-	2	SOCKET,LEVITON
37	-918833-	4	SCREW,PH PAN HD 4-40X 3/8
38	-513653-	4	FLAT W#8 .17X3/8X.040 ZN
39	001-300825-	1	ASSY,I.S. BOARD AND COVER <a href="#">SEE SHARED ASSY MAN P/N 920345</a>
40	-918935-	2	SCREW,#8-32X1/4" PP M/S
41	004-129498-	1	LOCKNUT,CONDUIT
42	005-126817-	2	WASHER,FLAT
43	002-301216-HRN	1	HARNESS,POTTED PULSER/N S
44	006-201926-	4	GLASS
45	004-301253-	4	TAPE,GASKET VAPOR/ADD PNL
46	004-916191-	1	SWITCH
48	-916486-	1	TIE WRAP
49	-513210-		CABLE TIE
50	001-301411-HRN	1	HARNESS,CONDUIT POWER G20
51	001-301429-HRN	1	HARNESS,POWER FILTER
52	001-301408-HRN	1	CABLE,ASSY - GROUND
53	001-301345-	1	SUPPORT,JUNCTION BOX
54	-916695-	2	TTWA S1/4-20X7/8 UNSLOT

**TABLE 42. T22-517204-CAN - ELECTRICAL MODULE, G2001P/Z4 220V**

Item No.	Part No.	Qty.	Description
	T22-517204-CAN		MOD,ELEC,G2001P/SZ4
	880541-002/001	1	PCB,DUPLEX 1 PROD SOL DR
	882880-002	1	HARNESS CABLE SWITCHES
	883504-001	1	PULSER/NOZZLE CABLE W/O W
	883565-002	1	CABLE HARNESS
	883619-003	1	COMP AS,V+ MGD,240V,W/PGM
	884112-001	1	CHIP SET,VISTA+EXP REV 6
	884347-001	1	CABLE,ASSY - FILTER
	886187-002	2	PCB ASSY,SALES DISPLAY
	886316-001	1	CABLE ASSY,CENTURY DATA
	886317-001	2	DIFFUSER,DISPLAY,GLOBAL
	0CE-001446-		WIRING DIAGRAM
	001-007206-00C		INSTRUCTION,INSTALLATION
	004-124856-	1	ELBOW 90 DEG
	003-126817-	2	WASHER - FLAT
	005-126817-	2	WASHER,FLAT
	002-129498-	2	LOCK N CONDUIT
	004-129498-	1	LOCKNUT,CONDUIT
	006-201926-	4	GLASS
	001-201953-	1	BOX,FIELD CONNECTION
	001-300825-	1	ASSY,I.S. BOARD AND COVER <a href="#">SEE SHARED ASSY MAN P/N 920345</a>
	001-301198-	1	BRACKET,COMPUTER
	001-301199-	1	BRACKET,COMPUTER W/STUDS
	001-301200-	1	CONDUIT,JUNCTION BOX
	002-301216-HRN	1	HARNESS,POTTED PULSER/N S
	004-301253-	4	TAPE,GASKET VAPOR/ADD PNL
	001-301408-HRN	1	CABLE,ASSY - GROUND
	003-301409-HRN	1	HARNESS,CONDUIT POWER
	001-301429-HRN	1	HARNESS,POWER FILTER
	-507254-	2	HHC S1/4-20X1/2 ZN
	-509655-	1	PLUG M1" NPT SQ HD, ZINC
	-511774-	4	FLAT W#10 SAE CD
	-512725-	1	BUSH M3/4 COND-FIBER-END
	-513210-	1	CABLE TIE
	-513653-	4	FLAT W#8 .17X3/8X.040 ZN
	-902365-	4	CONN MIDEAL#74B WIRENUT
	-904260-	1	BUSH M1X3/4 THD REDUCER
	004-916191-	1	SWITCH
	002-916749-	1	KEY SWITCH
	-916907-	4	PHPH S#6-32X5/16 ZN
	-918210-	2	HEX N1/4-20 STOP
	-918379-	3	HEX N#6-32 KEPS, ZINC
	-918513-	20	SCREW,SHAKEPROOF TAP/R TH
	-918833-	4	SCREW,PH PAN HD 4-40X 3/8
	002-921118-	2	LAMP SYLVANIA 220/240V/50
	001-921120-	2	SWITCH,TOGGLE
	001-921155-	2	SOCKET,LEVITON TWO-PIECE

TABLE 43. T05-517204-CAN - ELECTRICAL MODULE, G2002D/G

Item No.	Part No.	Qty.	Description
	T05-517204-CAN		MOD,ELEC,G2002D/G
DWG	001-301704-DWG		MOD,ELECTRICAL SUCTION
1	883504-001	2	PULSER/NOZZLE CABLE W/O W
2	886316-001	2	CABLE ASSY,CENTURY DATA
3	003-301410-HRN	1	HARNESS,WIRING HEAD G2002
4	883565-002	1	CABLE HARNESS
5	882880-002	2	HARNESS CABLE SWITCHES
6	006-006622-00D		WIRING,DIAGRAM G2007D
14	002-916749-	2	KEY SWITCH
15	001-921120-	4	SWITCH,TOGGLE
16	-512725-	1	BUSH M3/4 COND-FIBER-END
17	002-129498-	2	LOCK N CONDUIT
18	003-126817-	2	WASHER - FLAT
19	001-201953-	1	BOX,FIELD CONNECTION
20	-904260-	1	BUSH M1X3/4 THD REDUCER
21	004-124856-	1	ELBOW 90 DEG
22	-509655-	1	PLUG M1" NPT SQ HD, ZINC
23	-507254-	2	HHC S1/4-20X1/2 ZN
24	001-301199-	1	BRACKET,COMPUTER W/STUDS
25	001-301198-	1	BRACKET,COMPUTER
26	-511774-	4	FLAT W#10 SAE CD
27	-916907-	4	PHPH S#6-32X5/16 ZN
28	-918379-	3	HEX N#6-32 KEPS, ZINC
29	-918210-	2	HEX N1/4-20 STOP
30	-916441-	3	BALL JOINT-L.H. THD.
31	880541-001/001	1	PCB ASSY,DUPLEX,1PROD,SOL
32	884347-001	1	CABLE,ASSY - FILTER
33	883619-002	1	COMP ASSY,V+ MGD,120V,W/
34	886386-002	4	GLOBAL CENTURY UNIT PRICE
35	001-921118-	2	LAMP,SYLVANIA 110/120V,50
36	001-921119-	2	SOCKET,LEVITON
37	-918833-	4	SCREW,PH PAN HD 4-40X 3/8
38	-513653-	4	FLAT W#8 .17X3/8X.040 ZN
39	001-300825-	1	ASSY,I.S. BOARD AND COVER <a href="#">SEE SHARED ASSY MAN P/N 920345</a>
40	-918935-	2	SCREW,#8-32X1/4" PP M/S
41	004-129498-	1	LOCKNUT,CONDUIT
42	005-126817-	1	WASHER,FLAT
43	003-301216-HRN	1	HARNESS,POTTED PULSER/N D
44	006-201926-	4	GLASS
45	004-301253-	4	TAPE,GASKET VAPOR/ADD PNL
46	004-916191-	2	SWITCH
48	-916486-	1	TIE WRAP
49	-513210-		CABLE TIE
50	001-301411-HRN	1	HARNESS,CONDUIT POWER G20
51	001-301429-HRN	1	HARNESS,POWER FILTER
52	001-301408-HRN	1	CABLE,ASSY - GROUND
53	001-301345-	1	SUPPORT,JUNCTION BOX
54	-916695-	2	TTWA S1/4-20X7/8 UNSLOT

TABLE 44. T06-517204-CAN - ELECTRICAL MODULE, G2002P

Item No.	Part No.	Qty.	Description
	T06-517204-CAN		MOD,ELEC,G2002P DUO 1 SUC
DWG	001-301704-DWG		MOD,ELECTRICAL SUCTION
1	883504-001	2	PULSER/NOZZLE CABLE W/O W
2	886316-001	2	CABLE ASSY,CENTURY DATA
3	007-301405-HRN	1	HARNESS,HEAD POWER
4	883565-002	1	CABLE HARNESS
5	882880-002	2	HARNESS CABLE SWITCHES
6	005-006622-00D		WIRING,DIAGRAM G2007P
13	001-301252-	1	MODULE RELAYS AND SUPPRE.
14	002-916749-	2	KEY SWITCH
15	001-921120-	4	SWITCH,TOGGLE
16	-512725-	1	BUSH M3/4 COND-FIBER-END
17	002-129498-	2	LOCK N CONDUIT
18	003-126817-	2	WASHER - FLAT
19	001-201953-	1	BOX,FIELD CONNECTION
20	-904260-	1	BUSH MIX3/4 THD REDUCER
21	004-124856-	1	ELBOW 90 DEG
22	-509655-	1	PLUG M1" NPT SQ HD, ZINC
23	-507254-	2	HHC S1/4-20X1/2 ZN
24	001-301199-	1	BRACKET,COMPUTER W/STUDS
25	001-301198-	1	BRACKET,COMPUTER
26	-511774-	4	FLAT W#10 SAE CD
27	-916907-	4	PHPH S#6-32X5/16 ZN
28	-918379-	3	HEX N#6-32 KEPS, ZINC
29	-918210-	2	HEX N1/4-20 STOP
30	-906441-	3	CONN MIDEAL#73B WIRENUT
31	880541-001/001	1	PCB ASSY,DUPLX,IPROD,SOL
32	884347-001	1	CABLE,ASSY - FILTER
33	883619-002	1	COMP ASSY,V+ MGD,120V,W/
34	886386-002	4	GLOBAL CENTURY UNIT PRICE
35	001-921118-	2	LAMP,SYLVANIA 110/120V,50
36	001-921119-	2	SOCKET,LEVITON
37	-918833-	4	SCREW,PH PAN HD 4-40X 3/8
38	-513653-	4	FLAT W#8 .17X3/8X.040 ZN
39	001-300825-	1	ASSY,I.S. BOARD AND COVER <a href="#">SEE SHARED ASSY MAN P/N 920345</a>
40	-918935-	2	SCREW,#8-32X1/4" PP M/S
41	004-129498-	1	LOCKNUT,CONDUIT
42	005-126817-	1	WASHER,FLAT
43	003-301216-HRN	1	HARNESS,POTTED PULSER/N D
44	006-201926-	4	GLASS
45	004-301253-	4	TAPE,GASKET VAPOR/ADD PNL
46	004-916191-	2	SWITCH
47	-902365-	4	CONN MIDEAL#74B WIRENUT
48	-916486-	1	TIE WRAP
49	-513210-		CABLE TIE
50	003-301409-HRN	1	HARNESS,CONDUIT POWER
51	001-301429-HRN	1	HARNESS,POWER FILTER
52	001-301408-HRN	1	CABLE,ASSY - GROUND

**TABLE 45. T23-517204-CAN - ELECTRICAL MODULE, G2002P/Z4 220V**

Item No.	Part No.	Qty.	Description
	T23-517204-CAN		MOD,ELEC G2002P/SZ4
	880541-002/001	1	PCB,DUPLEX 1 PROD SOL DR
	882880-002	2	HARNESS CABLE SWITCHES
	883504-001	2	PULSER/NOZZLE CABLE W/O W
	883565-002	1	CABLE HARNESS
	883619-003	1	COMP AS,V+ MGD,240V,W/PGM
	884112-001	1	CHIP SET,VISTA+EXP REV 6
	884347-001	1	CABLE,ASSY - FILTER
	886187-002	4	PCB ASSY,SALES DISPLAY
	886316-001	2	CABLE ASSY,CENTURY DATA
	886317-001	4	DIFFUSER,DISPLAY,GLOBAL
	001-007206-00C		INSTRUCTION,INSTALLATION
	004-124856-	1	ELBOW 90 DEG
	003-126817-	2	WASHER - FLAT
	005-126817-	1	WASHER,FLAT
	002-129498-	2	LOCK N CONDUIT
	004-129498-	1	LOCKNUT,CONDUIT
	001-201925-	1	FITTING
	006-201926-	4	GLASS
	001-201953-	1	BOX,FIELD CONNECTION
	001-300825-	1	ASSY,I.S. BOARD AND COVER <a href="#">SEE SHARED ASSY MAN P/N 920345</a>
	001-301198-	1	BRACKET,COMPUTER
	001-301199-	1	BRACKET,COMPUTER W/STUDS
	003-301216-HRN	1	HARNESS,POTTED PULSER/N D
	004-301253-	4	TAPE,GASKET VAPOR/ADD PNL
	001-301408-HRN	1	CABLE,ASSY - GROUND
	001-301411-HRN	1	HARNESS,CONDUIT POWER G20
	001-301429-HRN	1	HARNESS,POWER FILTER
	-507254-	2	HHC S1/4-20X1/2 ZN
	-509655-	1	PLUG M1" NPT SQ HD, ZINC
	-511774-	4	FLAT W#10 SAE CD
	-512725-	1	BUSH M3/4 COND-FIBER-END
	-513210-	1	CABLE TIE
	-513653-	4	FLAT W#8 .17X3/8X.040 ZN
	-902365-	4	CONN MIDEAL#74B WIRENUT
	-904260-	1	BUSH M1X3/4 THD REDUCER
	-906441-	2	CONN MIDEAL#73B WIRENUT
	004-916191-	2	SWITCH
	-916486-	1	TIE WRAP
	002-916749-	2	KEY SWITCH
	-916907-	4	PHPH S#6-32X5/16 ZN
	-918210-	2	HEX N1/4-20 STOP
	-918379-	3	HEX N#6-32 KEPS, ZINC
	-918833-	4	SCRE W,PH PAN HD 4-40X 3/8
	-918935-	2	SCRE W,#8-32X1/4" PP M/S
	002-921118-	2	LAMP SYLVANIA 220/240V/50
	001-921120-	4	SWITCH,TOGGLE
	001-921155-	2	SOCKET,LEVITON TWO-PIECE

TABLE 46. T07-517204-CAN - ELECTRICAL MODULE, G2007D/G

Item No.	Part No.	Qty.	Description
	T07-517204-CAN		MOD,ELEC,G2007D/G
DWG	001-301704-DWG		MOD,ELECTRICAL SUCTION
1	883504-001	2	PULSER/NOZZLE CABLE W/O W
2	001-301407-HRN	2	CABLE,ASSY DATE G2007P & D
3	003-301410-HRN	1	HARNESS,WIRING HEAD G2002
4	883565-002	1	CABLE HARNESS
5	882880-002	2	HARNESS CABLE SWITCHES
6	006-006622-00D		WIRING,DIAGRAM G2007D
14	002-916749-	2	KEY SWITCH
15	001-921120-	4	SWITCH,TOGGLE
16	-512725-	1	BUSH M3/4 COND-FIBER-END
17	002-129498-	2	LOCK N CONDUIT
18	003-126817-	2	WASHER - FLAT
19	001-201953-	1	BOX,FIELD CONNECTION
20	-904260-	1	BUSH MIX3/4 THD REDUCER
21	004-124856-	1	ELBOW 90 DEG
22	-509655-	1	PLUG M1" NPT SQ HD, ZINC
23	-507254-	2	HHC S1/4-20X1/2 ZN
24	001-301199-	1	BRACKET,COMPUTER W/STUDS
25	001-301198-	1	BRACKET,COMPUTER
26	-511774-	4	FLAT W#10 SAE CD
27	-916907-	4	PHPH S#6-32X5/16 ZN
28	-918379-	3	HEX N#6-32 KEPS, ZINC
29	-918210-	2	HEX N1/4-20 STOP
30	-906441-	2	CONN MIDEAL#73B WIRENUT
31	880541-001/001	1	PCB ASSY,DUPLEX,1PROD,SOL
32	884347-001	1	CABLE,ASSY - FILTER
33	883619-002	1	COMP ASSY,V+ MGD,120V,W/
34	886386-002	2	GLOBAL CENTURY UNIT PRICE
35	001-921118-	2	LAMP,SYLVANIA 110/120V,50
36	001-921119-	2	SOCKET,LEVITON
37	-918833-	4	SCREW,PH PAN HD 4-40X 3/8
38	-513653-	4	FLAT W#8 .17X3/8X.040 ZN
39	001-300825-	1	ASSY,I.S. BOARD AND COVER <a href="#">SEE SHARED ASSY MAN P/N 920345</a>
40	-918935-	2	SCREW,#8-32X1/4" PP M/S
41	004-129498-	1	LOCKNUT,CONDUIT
42	005-126817-	2	WASHER,FLAT
43	003-301216-HRN	1	HARNESS,POTTED PULSER/N D
44	006-201926-	4	GLASS
45	004-301253-	4	TAPE,GASKET VAPOR/ADD PNL
46	004-916191-	2	SWITCH
48	-916486-	1	TIE WRAP
49	-513210-		CABLE TIE
50	001-301411-HRN	1	HARNESS,CONDUIT POWER G20
51	001-301429-HRN	1	HARNESS,POWER FILTER
52	001-301408-HRN	1	CABLE,ASSY - GROUND
53	001-301345-	1	SUPPORT,JUNCTION BOX
54	-916695-	2	TTWA S1/4-20X7/8 UNSLOT

TABLE 47. T08-517204-CAN - ELECTRICAL MODULE, G2007P

Item No.	Part No.	Qty.	Description
	T08-517204-CAN		MOD,ELEC,G2007P DUO 1
DWG	001-301704-DWG		MOD,ELECTRICAL SUCTION
1	883504-001	2	PULSER/NOZZLE CABLE W/O W
2	001-301407-HRN	2	CABLE,ASSY DATE G2007P &D
3	007-301405-HRN	1	HARNESS,HEAD POWER
4	883565-002	1	CABLE HARNESS
5	882880-002	2	HARNESS CABLE SWITCHES
6	005-006622-00D		WIRING,DIAGRAM G2007P
13	001-301252-	1	MODULE RELAYS AND SUPPRE.
14	002-916749-	2	KEY SWITCH
15	001-921120-	4	SWITCH,TOGGLE
16	-512725-	1	BUSH M3/4 COND-FIBER-END
17	002-129498-	2	LOCK N CONDUIT
18	003-126817-	2	WASHER - FLAT
19	001-201953-	1	BOX,FIELD CONNECTION
20	-904260-	1	BUSH MIX3/4 THD REDUCER
21	004-124856-	1	ELBOW 90 DEG
22	-509655-	1	PLUG M1" NPT SQ HD, ZINC
23	-507254-	2	HHC S1/4-20X1/2 ZN
24	001-301199-	1	BRACKET,COMPUTER W/STUDS
25	001-301198-	1	BRACKET,COMPUTER
26	-511774-	4	FLAT W#10 SAE CD
27	-916907-	4	PHPH S#6-32X5/16 ZN
28	-918379-	3	HEX N#6-32 KEPS, ZINC
29	-918210-	2	HEX N1/4-20 STOP
30	-906441-	3	CONN MIDEAL#73B WIRENUT
31	880541-001/001	1	PCB ASSY,DUPLEX,1PROD,SOL
32	884347-001	1	CABLE,ASSY - FILTER
33	883619-002	1	COMP ASSY,V+ MGD,120V,W/
34	886386-002	2	GLOBAL CENTURY UNIT PRICE
35	001-921118-	2	LAMP,SYLVANIA 110/120V,50
36	001-921119-	2	SOCKET,LEVITON
37	-918833-	4	SCREW,PH PAN HD 4-40X 3/8
38	-513653-	4	FLAT W#8 .17X3/8X.040 ZN
39	001-300825-	1	ASSY,I.S. BOARD AND COVER <a href="#">SEE SHARED ASSY MAN P/N 920345</a>
40	-918935-	2	SCREW,#8-.32X1/4" PP M/S
41	004-129498-	1	LOCKNUT,CONDUIT
42	005-126817-	2	WASHER,FLAT
43	003-301216-HRN	1	HARNESS,POTTED PULSER/N D
44	006-201926-	4	GLASS
45	004-301253-	4	TAPE,GASKET VAPOR/ADD PNL
46	004-916191-	2	SWITCH
47	-902365-	4	CONN MIDEAL#74B WIRENUT
48	-916486-	1	TIE WRAP
49	-513210-		CABLE TIE
50	003-301409-HRN	1	HARNESS,CONDUIT POWER
51	001-301429-HRN	1	HARNESS,POWER FILTER
52	001-301408-HRN	1	CABLE,ASSY - GROUND

TABLE 48. T03-517204-CAN - ELECTRICAL MODULE, G2003P

Item No.	Part No.	Qty.	Description
	T03-517204-CAN		MOD,GC ELECTRIC G2002 &
	006-301405-HRN	1	HARNESS,HEAD POWER
DWG	001-301704-DWG		MOD,ELECTRICAL SUCTION
1	883504-001	2	PULSER/NOZZLE CABLE W/O W
2	886316-001	2	CABLE ASSY,CENTURY DATA
4	883565-002	1	CABLE HARNESS
5	882880-002	2	HARNESS CABLE SWITCHES
6	001-006622-00D		WIRING,DIAGRAM HI CAP.
13	002-301252-	1	MOD,RELAYS & SUPPR. HI C.
14	002-916749-	2	KEY SWITCH
15	001-921120-	4	SWITCH,TOGGLE
16	-512725-	1	BUSH M3/4 COND-FIBER-END
17	002-129498-	2	LOCK N CONDUIT
18	003-126817-	2	WASHER - FLAT
19	001-201953-	1	BOX,FIELD CONNECTION
20	-904260-	1	BUSH MIX3/4 THD REDUCER
21	004-124856-	1	ELBOW 90 DEG
22	-509655-	1	PLUG M1" NPT SQ HD, ZINC
23	-507254-	2	HHC S1/4-20X1/2 ZN
24	001-301199-	1	BRACKET,COMPUTER W/STUDS
25	001-301198-	1	BRACKET,COMPUTER
26	-511774-	4	FLAT W#10 SAE CD
27	-916907-	4	PHPH S#6-32X5/16 ZN
28	-918379-	3	HEX N#6-32 KEPS, ZINC
29	-918210-	2	HEX N1/4-20 STOP
30	-906441-	3	CONN MIDEAL#73B WIRENUT
31	880541-001/002	1	PCB ASSY,DUPLX,IPROD,SOL
32	884347-001	1	CABLE,ASSY - FILTER
33	883619-002	1	COMP ASSY,V+ MGD,120V,W/
34	886386-002	4	GLOBAL CENTURY UNIT PRICE
35	001-921118-	2	LAMP,SYLVANIA 110/120V,50
36	001-921119-	2	SOCKET,LEVITON
37	-918833-	4	SCREW,PH PAN HD 4-40X 3/8
38	-513653-	4	FLAT W#8 .17X3/8X.040 ZN
39	001-300825-	1	ASSY,I.S. BOARD AND COVER <a href="#">SEE SHARED ASSY MAN P/N 920345</a>
40	-918935-	2	SCREW,#8-32X1/4" PP M/S
41	004-129498-	1	LOCKNUT,CONDUIT
42	005-126817-	2	WASHER,FLAT
43	001-301216-HRN	1	HARNESS,POTTED PULSER/N S
44	006-201926-	4	GLASS
45	004-301253-	4	TAPE,GASKET VAPOR/ADD PNL
46	004-916191-	2	SWITCH
47	-902365-	4	CONN MIDEAL#74B WIRENUT
48	-916486-	1	TIE WRAP
49	-513210-		CABLE TIE
50	004-301409-HRN	1	HARNESS,CONDUIT POWER
51	001-301429-HRN	1	HARNESS,POWER FILTER
52	001-301408-HRN	1	CABLE,ASSY - GROUND

TABLE 49. T04-517204-CAN - ELECTRICAL MODULE, G2003D/G

Item No.	Part No.	Qty.	Description
	T04-517204-CAN		MOD,GC ELECTRIC G2003D/G
DWG	001-301704-DWG		MOD,ELECTRICAL SUCTION
1	883504-001	2	PULSER/NOZZLE CABLE W/O W
2	886316-001	2	CABLE ASSY,CENTURY DATA
3	002-301410-HRN	1	HARNESS,WIRING HEAD G2003
4	883565-002	1	CABLE HARNESS
5	882880-002	2	HARNESS CABLE SWITCHES
14	002-916749-	2	KEY SWITCH
15	001-921120-	4	SWITCH,TOGGLE
16	-512725-	1	BUSH M3/4 COND-FIBER-END
17	002-129498-	2	LOCK N CONDUIT
18	003-126817-	2	WASHER - FLAT
19	001-201953-	1	BOX,FIELD CONNECTION
20	-904260-	1	BUSH MIX3/4 THD REDUCER
21	004-124856-	1	ELBOW 90 DEG
22	-509655-	1	PLUG M1" NPT SQ HD, ZINC
23	-507254-	2	HHC S1/4-20X1/2 ZN
24	001-301199-	1	BRACKET,COMPUTER W/STUDS
25	001-301198-	1	BRACKET,COMPUTER
26	-511774-	4	FLAT W#10 SAE CD
27	-916907-	4	PHPH S#6-32X5/16 ZN
28	-918379-	3	HEX N#6-32 KEPS, ZINC
29	-918210-	2	HEX N1/4-20 STOP
30	-906441-	3	CONN MIDEAL#73B WIRENUT
31	880541-001/002	1	PCB ASSY,DUPLEX,1PROD,SOL
32	884347-001	1	CABLE,ASSY - FILTER
33	883619-002	1	COMP ASSY,V+ MGD,120V,W/
34	886386-002	4	GLOBAL CENTURY UNIT PRICE
35	001-921118-	2	LAMP,SYLVANIA 110/120V,50
36	001-921155-	2	SOCKET,LEVITON TWO-PIECE
37	-918833-	4	SCREW,PH PAN HD 4-40X 3/8
38	-513653-	4	FLAT W#8 .17X3/8X.040 ZN
39	001-300825-	1	ASSY,I.S. BOARD AND COVER <a href="#">SEE SHARED ASSY MAN P/N 920345</a>
40	-918935-	2	SCREW,#8-32X1/4" PP M/S
41	004-129498-	1	LOCKNUT,CONDUIT
42	005-126817-	2	WASHER,FLAT
43	001-301216-HRN	1	HARNESS,POTTED PULSER/N S
44	006-201926-	4	GLASS
45	004-301253-	4	TAPE,GASKET VAPOR/ADD PNL
46	004-916191-	2	SWITCH
48	-916486-	1	TIE WRAP
49	-513210-		CABLE TIE
50	002-301411-HRN	1	HARNESS,CONDUIT POWER G20
51	001-301429-HRN	1	HARNESS,POWER FILTER
52	001-301408-HRN	1	CABLE,ASSY - GROUND
53	001-301345-	1	SUPPORT,JUNCTION BOX
54	-916695-	2	TTWA S1/4-20X7/8 UNSLOT

**TABLE 50. T24-517204-CAN - ELECTRICAL MODULE, G2003P/Z4 220V**

Item No.	Part No.	Qty.	Description
	T24-517204-CAN		MOD,ELEC,G2003P/SZ4
	880541-002/002	1	PCB,DUPLEX 2 PROD SOL DR
	882880-002	2	HARNESS CABLE SWITCHES
	883504-001	2	PULSER/NOZZLE CABLE W/O W
	883565-002	1	CABLE HARNESS
	883619-003	1	COMP AS,V+ MGD,240V,W/PGM
	884112-001	1	CHIP SET,VISTA+EXP REV 6
	884347-001	1	CABLE,ASSY - FILTER
	886187-002	4	PCB ASSY,SALES DISPLAY
	886316-001	2	CABLE ASSY,CENTURY DATA
	886317-001	4	DIFFUSER,DISPLAY,GLOBAL
	0CE-001458-		WIRING DIAGRAM
	001-006622-00D		WIRING,DIAGRAM HI CAP.
	001-006625-00D		INSTRUCTION DWG.
	001-007206-00C		INSTRUCTION,INSTALLATION
	004-124856-	1	ELBOW 90 DEG
	003-126817-	2	WASHER - FLAT
	005-126817-	2	WASHER,FLAT
	002-129498-	2	LOCK N CONDUIT
	004-129498-	1	LOCKNUT,CONDUIT
	001-201925-	1	FITTING
	006-201926-	4	GLASS
	001-201953-	1	BOX,FIELD CONNECTION
	001-300825-	1	ASSY,I.S. BOARD AND COVER <a href="#">SEE SHARED ASSY MAN P/N 920345</a>
	001-301198-	1	BRACKET,COMPUTER
	001-301199-	1	BRACKET,COMPUTER W/STUDS
	001-301216-HRN	1	HARNESS,POTTED PULSER/N S
	004-301253-	1	TAPE,GASKET VAPOR/ADD PNL
	001-301408-HRN	1	CABLE,ASSY - GROUND
	004-301409-HRN	1	HARNESS,CONDUIT POWER
	001-301429-HRN	1	HARNESS,POWER FILTER
	-507254-	2	HHC S1/4-20X1/2 ZN
	-509655-	1	PLUG M1" NPT SQ HD, ZINC
	-511774-	4	FLAT W#10 SAE CD
	-512725-	1	BUSH M3/4 COND-FIBER-END
	-513210-	1	CABLE TIE
	-513653-	4	FLAT W#8 .17X3/8X.040 ZN
	-902365-	4	CONN MIDEAL#74B WIRENUT
	-904260-	1	BUSH MIX3/4 THD REDUCER
	-906441-	2	CONN MIDEAL#73B WIRENUT
	004-916191-	2	SWITCH
	-916486-	1	TIE WRAP
	002-916749-	2	KEY SWITCH
	-916907-	4	PHPH S#6-32X5/16 ZN
	-918210-	2	HEX N1/4-20 STOP
	-918379-	3	HEX N#6-32 KEPS, ZINC
	-918833-	4	SCREW,PH PAN HD 4-40X 3/8
	-918935-	2	SCREW,#8-32X1/4" PP M/S
	002-921118-	2	LAMP SYLVANIA 220/240V/50
	001-921120-	4	SWITCH,TOGGLE
	001-921155-	2	SOCKET,LEVITON TWO-PIECE

TABLE 51. T24-517204-ISL - ELECTRICAL MODULE, G2003P/Z4 220V

Item No.	Part No.	Qty.	Description
	T24-517204-ISL		MOD,ELECTRICS,G2003PSZ4
	880541-002/004	1	BOARD,SOLENOID DRIVE
	882880-002	2	HARNESS CABLE SWITCHES
	883504-001	2	PULSER/NOZZLE CABLE W/O W
	883565-002	1	CABLE HARNESS
	883619-003	1	COMP AS,V+ MGD,240V,W/PGM
	884112-001	1	CHIP SET,VISTA+EXP REV 6
	884347-001	1	CABLE,ASSY - FILTER
	886187-002	4	PCB ASSY,SALES DISPLAY
	886316-001	2	CABLE ASSY,CENTURY DATA
	886317-001	4	DIFFUSER,DISPLAY,GLOBAL
	OCE-001458-		WIRING DIAGRAM
	001-006622-00D		WIRING,DIAGRAM HI CAP.
	001-006625-00D		INSTRUCTION DWG.
	001-007206-00C		INSTRUCTION,INSTALLATION
	004-124856-	1	ELBOW 90 DEG
	003-126817-	2	WASHER - FLAT
	005-126817-	2	WASHER,FLAT
	002-129498-	2	LOCK N CONDUIT
	004-129498-	1	LOCKNUT,CONDUIT
	001-201925-	1	FITTING
	006-201926-	4	GLASS
	001-201953-	1	BOX,FIELD CONNECTION
	001-300825-	1	ASSY,I.S. BOARD AND COVER <a href="#">SEE SHARED ASSY MAN P/N 920345</a>
	001-301198-	1	BRACKET,COMPUTER
	001-301199-	1	BRACKET,COMPUTER W/STUDS
	001-301216-HRN	1	HARNESS,POTTED PULSER/N S
	004-301253-	4	TAPE,GASKET VAPOR/ADD PNL
	001-301408-HRN	1	CABLE,ASSY - GROUND
	004-301409-HRN	1	HARNESS,CONDUIT POWER
	001-301429-HRN	1	HARNESS,POWER FILTER
	-507254-	2	HHC S1/4-20X1/2 ZN
	-509655-	1	PLUG M1" NPT SQ HD, ZINC
	-511774-	4	FLAT W#10 SAE CD
	-512725-	1	BUSH M3/4 COND-FIBER-END
	-513210-	1	CABLE TIE
	-513653-	4	FLAT W#8 .17X3/8X.040 ZN
	-902365-	4	CONN MIDEAL#74B WIRENUT
	-904260-	1	BUSH M1X3/4 THD REDUCER
	-906441-	2	CONN MIDEAL#73B WIRENUT
	004-916191-	2	SWITCH
	-916486-	1	TIE WRAP
	002-916749-	2	KEY SWITCH
	-916907-	4	PHPH S#6-32X5/16 ZN
	-918210-	2	HEX N1/4-20 STOP
	-918379-	3	HEX N#6-32 KEPS, ZINC
	-918833-	4	SCREW,PH PAN HD 4-40X 3/8
	-918935-	2	SCREW,#8-32X1/4" PP M/S
	002-921118-	2	LAMP SYLVANIA 220/240V/50
	001-921120-	4	SWITCH,TOGGLE
	001-921155-	2	SOCKET,LEVITON TWO-PIECE

TABLE 52. T14-517204-CAN - ELECTRICAL MODULE, G2203D/G

Item No.	Part No.	Qty.	Description
	T14-517204-CAN		MOD,ELEC G2203D/G 110/60
DWG	001-301704-DWG		MOD,ELECTRICAL SUCTION
	880541-001/002	1	PCB ASSY,DUPLEX,IPROD,SOL
	882880-002	2	HARNESS CABLE SWITCHES
	883504-001	2	PULSER/NOZZLE CABLE W/O W
	883565-002	1	CABLE HARNESS
	883619-007	1	COMP ASSY,V+MGD,120V,W/PG
	884347-001	1	CABLE,ASSY - FILTER
	886187-002	4	PCB ASSY,SALES DISPLAY
	886317-001	4	DIFFUSER,DISPLAY,GLOBAL
	002-006622-00D		WIRING,DIAGRAM G2003D
	001-006625-00D		INSTRUCTION DWG.
	004-124856-	1	ELBOW 90 DEG
	003-126817-	2	WASHER - FLAT
	005-126817-	2	WASHER,FLAT
	002-129498-	2	LOCK N CONDUIT
	004-129498-	1	LOCKNUT,CONDUIT
	006-201926-	4	GLASS
	001-201953-	1	BOX,FIELD CONNECTION
	001-300825-	1	ASSY,I.S. BOARD AND COVER <a href="#">SEE SHARED ASSY MAN P/N 920345</a>
	001-301198-	1	BRACKET,COMPUTER
	001-301199-	1	BRACKET,COMPUTER W/STUDS
	005-301216-HRN	1	HARNESS,POTTED PULSER
	004-301253-	4	TAPE,GASKET VAPOR/ADD PNL
	001-301408-HRN	1	CABLE,ASSY - GROUND
	005-301410-HRN	1	HARNESS HEAD,POWER REMOTE
	004-301411-HRN	1	CONDUIT PWR HARNESS,REMOT
	B04-301411-HRN	1	HARNESS,CONDUIT POWER REM
	001-301429-HRN	1	HARNESS,POWER FILTER
	001-301494-	2	CABLE DATA CENTURY
	-507254-	2	HHC S1/4-20X1/2 ZN
	-509655-	1	PLUG M1" NPT SQ HD, ZINC
	-511774-	4	FLAT W#10 SAE CD
	-512725-	1	BUSH M3/4 COND-FIBER-END
	-513210-		CABLE TIE
	-513653-	4	FLAT W#8 .17X3/8X.040 ZN
	-904260-	1	BUSH M1X3/4 THD REDUCER
	-906441-	3	CONN MIDEAL#73B WIRENUT
	004-916191-	2	SWITCH
	-916486-	1	TIE WRAP
	002-916749-	2	KEY SWITCH
	-916907-	4	PHPH S#6-32X5/16 ZN
	-918210-	2	HEX N1/4-20 STOP
	-918379-	3	HEX N#6-32 KEPS, ZINC
	-918833-	4	SCREW,PH PAN HD 4-40X 3/8
	-918935-	2	SCREW,#8-32X1/4" PP M/S
	001-921118-	2	LAMP,SYLVANIA 110/120V,50
	001-921119-	2	SOCKET,LEVITON
	001-921120-	4	SWITCH,TOGGLE

TABLE 53. T15-517204-CAN - ELECTRICAL MODULE G2203P

Item No.	Part No.	Qty.	Description
	T15-517204-CAN		MOD,ELEC G2203P 110/60
DWG	001-301704-DWG		MOD,ELECTRICAL SUCTION
	880541-001/002	1	PCB ASSY,DUPLEX,1PROD,SOL
	882880-002	2	HARNESS CABLE SWITCHES
	883504-001	2	PULSER/NOZZLE CABLE W/O W
	883565-002	1	CABLE HARNESS
	883619-007	1	COMP ASSY,V+MGD,120V,W/PG
	884347-001	1	CABLE,ASSY - FILTER
	886187-002	4	PCB ASSY,SALES DISPLAY
	886317-001	4	DIFFUSER,DISPLAY,GLOBAL
	001-006622-00D		WIRING,DIAGRAM HI CAP.
	001-006625-00D		INSTRUCTION DWG.
	004-124856-	1	ELBOW 90 DEG
	003-126817-	2	WASHER - FLAT
	005-126817-	2	WASHER,FLAT
	002-129498-	2	LOCK N CONDUIT
	004-129498-	1	LOCKNUT,CONDUIT
	006-201926-	4	GLASS
	001-201953-	1	BOX,FIELD CONNECTION
	001-300825-	1	ASSY,I.S. BOARD AND COVER <a href="#">SEE SHARED ASSY MAN P/N 920345</a>
	001-301198-	1	BRACKET,COMPUTER
	001-301199-	1	BRACKET,COMPUTER W/STUDS
	005-301216-HRN	1	HARNESS,POTTED PULSER
	004-301253-	4	TAPE,GASKET VAPOR/ADD PNL
	011-301405-HRN	1	HARNESS,HEAD POWER SUC.
	001-301408-HRN	1	CABLE,ASSY - GROUND
	008-301409-HRN	1	CONDUIT PWR HARNESS G2203
	B08-301409-HRN	1	CONDUIT PWR HARNESS G2203
	001-301429-HRN	1	HARNESS,POWER FILTER
	001-301494-	2	CABLE DATA CENTURY
	-507254-	2	HHC S1/4-20X1/2 ZN
	-509655-	1	PLUG M1" NPT SQ HD, ZINC
	-511774-	4	FLAT W#10 SAE CD
	-512725-	1	BUSH M3/4 COND-FIBER-END
	-513210-		CABLE TIE
	-513653-	4	FLAT W#8 .17X3/8X.040 ZN
	-902365-	8	CONN MIDEAL#74B WIRENUT
	-904260-	1	BUSH M1X3/4 THD REDUCER
	-906441-	3	CONN MIDEAL#73B WIRENUT
	004-916191-	2	SWITCH
	-916486-	1	TIE WRAP
	002-916749-	2	KEY SWITCH
	-916907-	4	PHPH S#6-32X5/16 ZN
	-918210-	2	HEX N1/4-20 STOP
	-918379-	3	HEX N#6-32 KEPS, ZINC
	-918833-	4	SCREW,PH PAN HD 4-40X 3/8
	-918935-	2	SCREW,#8-32X1/4" PP M/S
	001-921118-	2	LAMP,SYLVANIA 110/120V,50
	001-921119-	2	SOCKET,LEVITON
	001-921120-	4	SWITCH,TOGGLE

**TABLE 54. T21-517204-CAN - ELECTRICAL MODULE, G2203P/Z4 220V**

Item No.	Part No.	Qty.	Description
	T21-517204-CAN		MOD,ELEC,G2203P/Z4,220V,5
DWG	001-301704-DWG		MOD,ELECTRICAL SUCTION
	880541-002/002	1	PCB,DUPLEX 2 PROD SOL DR
	882880-002	2	HARNESS CABLE SWITCHES
	883504-001	2	PULSER/NOZZLE CABLE W/O W
	883565-002	1	CABLE HARNESS
	883619-003	1	COMP AS,V+ MGD,240V,W/PGM
	884347-001	1	CABLE,ASSY - FILTER
	886187-002	4	PCB ASSY,SALES DISPLAY
	886317-001	4	DIFFUSER,DISPLAY,GLOBAL
	001-006622-00D		WIRING,DIAGRAM HI CAP.
	001-006625-00D		INSTRUCTION DWG.
	004-124856-	1	ELBOW 90 DEG
	003-126817-	2	WASHER - FLAT
	005-126817-	2	WASHER,FLAT
	002-129498-	2	LOCK N CONDUIT
	004-129498-	1	LOCKNUT,CONDUIT
	006-201926-	4	GLASS
	001-201953-	1	BOX,FIELD CONNECTION
	001-300825-	1	ASSY,I.S. BOARD AND COVER <a href="#">SEE SHARED ASSY MAN P/N 920345</a>
	001-301198-	1	BRACKET,COMPUTER
	001-301199-	1	BRACKET,COMPUTER W/STUDS
	005-301216-HRN	1	HARNESS,POTTED PULSER
	004-301253-	4	TAPE,GASKET VAPOR/ADD PNL
	011-301405-HRN	1	HARNESS,HEAD POWER SUC.
	001-301408-HRN	1	CABLE,ASSY - GROUND
	008-301409-HRN	1	CONDUIT PWR HARNESS G2203
	B08-301409-HRN	1	CONDUIT PWR HARNESS G2203
	001-301429-HRN	1	HARNESS,POWER FILTER
	001-301494-	2	CABLE DATA CENTURY
	-507254-	2	HHC S1/4-20X1/2 ZN
	-509655-	1	PLUG M1" NPT SQ HD, ZINC
	-511774-	4	FLAT W#10 SAE CD
	-512725-	1	BUSH M3/4 COND-FIBER-END
	-513210-		CABLE TIE
	-513653-	4	FLAT W#8 .17X3/8X.040 ZN
	-902365-	8	CONN MIDEAL#74B WIRENUT
	-904260-	1	BUSH M1X3/4 THD REDUCER
	-906441-	3	CONN MIDEAL#73B WIRENUT
	004-916191-	2	SWITCH
	-916486-	1	TIE WRAP
	002-916749-	2	KEY SWITCH
	-916907-	4	PHPH S#6-32X5/16 ZN
	-918210-	2	HEX N1/4-20 STOP
	-918379-	3	HEX N#6-32 KEPS, ZINC
	-918833-	4	SCREW,PH PAN HD 4-40X 3/8
	-918935-	2	SCREW,#8-32X1/4" PP M/S
	002-921118-	2	LAMP SYLVANIA 220/240V/50
	001-921119-	2	SOCKET,LEVITON
	001-921120-	4	SWITCH,TOGGLE

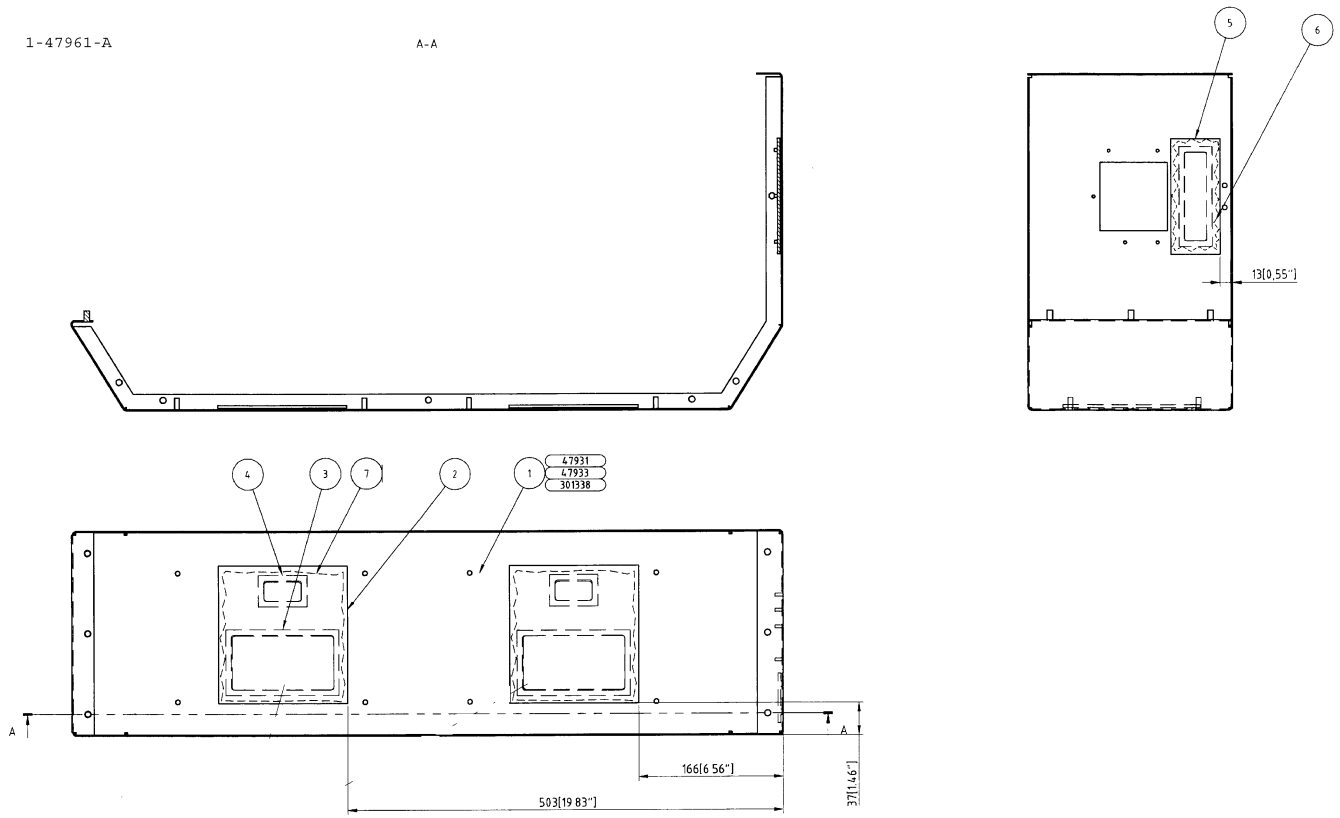


FIGURE 17. 1-47961-DWG - BEZEL WRAP MODULE, SIDE PRESET

**TABLE 55. T01-517202-CAN - BEZEL WRAP MODULE, G2001P, G2001D**

Item No.	Part No.	Qty.	Description
	T01-517202-CAN		MOD,GC BEZEL WRAP G2001P,G2001D
DWG	001-047961-DWG		WRAP,BEZEL ASSY
	003-301338-F30	1	BEZEL WRAP,SIDE PRESET
1	002-301338-F30	1	BEZEL WRAP,SIDE PRESET
2	004-201926-	2	GLASS
3	001-301253-	2	TAPE,GASKET TOTAL DISPLAY
4	002-301253-	2	TAPE,GASKET UNIT PRICE DS
7	-916202-		SILASTIC SEALANT

**TABLE 56. 1-47961-F30 - BEZEL WRAP MODULE, G2002P, G2002D**

Item No.	Part No.	Qty.	Description
	001-047961-F30		WRAP,BEZEL ASSY G2002P,G2002D
DWG	001-047961-DWG		WRAP,BEZEL ASSY
1	001-047931-F30	1	BEZEL WRAP,SIDE PRESET
2	004-201926-	2	GLASS
3	001-301253-	2	TAPE,GASKET TOTAL DISPLAY
4	002-301253-	2	TAPE,GASKET UNIT PRICE DS
5	005-201926-	1	GLASS
6	003-301253-	1	TAPE,GASKET PRESET DISPLY
7	-916202-		SILASTIC SEALANT

**TABLE 57. T05-517202-CAN - BEZEL WRAP MODULE, G2001P/S, G2001D/S**

Item No.	Part No.	Qty.	Description
	T05-517202-CAN		MOD,GC BEZEL WRAP G2001P/S,G2001D/S
DWG	001-047961-DWG		WRAP,BEZEL ASSY
	001-301338-F30	1	BEZEL WRAP,SIDE PRESET
1	002-301338-F30	1	BEZEL WRAP,SIDE PRESET
2	004-201926-	2	GLASS
3	001-301253-	2	TAPE,GASKET TOTAL DISPLAY
4	002-301253-	2	TAPE,GASKET UNIT PRICE DS
5	005-201926-	1	GLASS
6	003-301253-	1	TAPE,GASKET PRESET DISPLY
7	-916202-		SILASTIC SEALANT

**TABLE 58. T02-517202-CAN - BEZEL WRAP MODULE, G2002P, G2002D, G2003P, G2003D**

Item No.	Part No.	Qty.	Description
	T02-517202-CAN		MOD,GC BEZEL WRAP G2002P,G2002D.G2003P,G2003D
DWG	001-047961-DWG		WRAP,BEZEL ASSY
1	001-047933-F30	2	BEZEL WRAP
2	004-201926-	4	GLASS
3	001-301253-	4	TAPE,GASKET TOTAL DISPLAY
4	002-301253-	4	TAPE,GASKET UNIT PRICE DS
7	-916202-		SILASTIC SEALANT

**TABLE 59. T06-517202-CAN - BEZEL WRAP MODULE, G2007D/S**

Item No.	Part No.	Qty.	Description
	T06-517202-CAN		MOD,GC BEZ WRAP G2007D/S
DWG	001-047961-DWG		WRAP,BEZEL ASSY
1	001-047932-F30	2	BEZEL, WRAP PRESET FRONT
2	004-201926-	2	GLASS
3	001-301253-	2	TAPE,GASKET TOTAL DISPLAY
4	002-301253-	2	TAPE,GASKET UNIT PRICE DS
5	005-201926-	2	GLASS
6	003-301253-	1	TAPE,GASKET PRESET DISPLY
7	-916202-		SILASTIC SEALANT

**TABLE 60. T08-517202-CAN - BEZEL WRAP MODULE, G2003D/S**

Item No.	Part No.	Qty.	Description
	T08-517202-CAN		MOD,BEZEL WRAP,G2003D/S
	001-047931-F30	2	BEZEL WRAP,SIDE PRESET
	003-201926-	2	GLASS,PRESET
	004-201926-	4	GLASS
	005-201926-	2	GLASS
	001-301253-	4	TAPE,GASKET TOTAL DISPLAY
	002-301253-	4	TAPE,GASKET UNIT PRICE DS
	003-301253-	4	TAPE,GASKET PRESET DISPLY



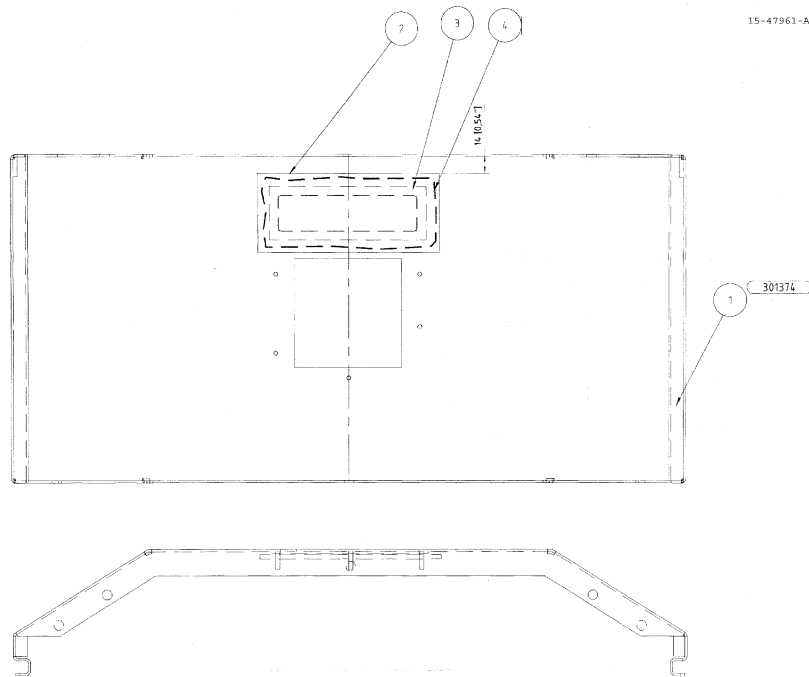


FIGURE 18. 15-47961-DWG - BEZEL WRAP, FLIP-UP

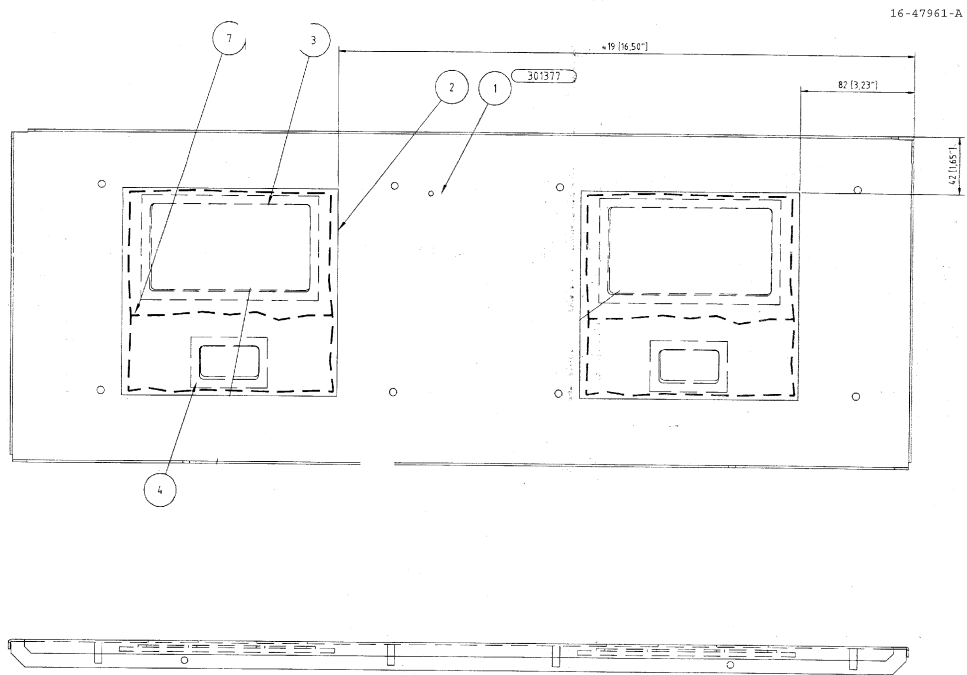


FIGURE 19. 16-47961-DWG - BEZEL WRAP, FLIP-UP

**TABLE 61. T09-517202-CAN - BEZEL WRAP MODULE, G2001P/S/Z4 220V**

Item No.	Part No.	Qty.	Description
	T09-517202-CAN		MOD,BEZ WRAP,PS,FLIP-UP,S, G2001P/SZ4 220V
DWG	015-047961-DWG		WRAP,BEZEL ASSY
DWG	016-047961-DWG		WRAP,BEZEL ASSY
	003-201926-	1	GLASS,PRESET
	004-201926-	2	GLASS
	005-201926-	1	GLASS
	001-301253-	2	TAPE,GASKET TOTAL DISPLAY
	002-301253-	2	TAPE,GASKET UNIT PRICE DS
	003-301253-	1	TAPE,GASKET PRESET DISPLY
	001-301374-0W7	1	SIDE PANEL,NO PRESET
	002-301374-0W7	1	SIDE PANEL
	001-301377-0W7	1	PANEL,FRONT SINGLE
	002-301377-0W7	1	PANEL,FRONT SINGLE
	-916202-		SILASTIC SEALANT

**TABLE 62. T10-517202-CAN - BEZEL WRAP MODULE, G2002P/Z4, G2003P/Z4 220V**

Item No.	Part No.	Qty.	Description
	T10-517202-CAN		MOD,BEZ WRAP,PS,FLIP-UP,G2002P/Z4,G2003P/Z4 220V
DWG	015-047961-DWG		WRAP,BEZEL ASSY
DWG	016-047961-DWG		WRAP,BEZEL ASSY
	003-201926-	2	GLASS,PRESET
	004-201926-	4	GLASS
	005-201926-	2	GLASS
	001-301253-	4	TAPE,GASKET TOTAL DISPLAY
	002-301253-	4	TAPE,GASKET UNIT PRICE DS
	003-301253-	2	TAPE,GASKET PRESET DISPLY
	001-301374-0W7	2	SIDE PANEL,NO PRESET
	003-301377-0W7	2	FRONT PANEL,DUO
	-916202-		SILASTIC SEALANT

**TABLE 63. T07-517202-F30 - BEZEL WRAP MODULE, G2003P, G2203**

Item No.	Part No.	Qty.	Description
	T07-517202-F30		BEZ,FLIP UP G2003P & G2203
DWG	015-047961-DWG		WRAP,BEZEL ASSY
DWG	016-047961-DWG		WRAP,BEZEL ASSY
	004-201926-	4	GLASS
	001-301253-	4	TAPE,GASKET TOTAL DISPLAY
	002-301253-	4	TAPE,GASKET UNIT PRICE DS
	T01-301374-F30	2	SIDE PANEL,BEZEL,TOT C/O
	003-301377-F30	2	BEZEL DUAL,FLIP-UP,GRAY
	-916202-		SILASTIC SEALANT

**TABLE 64. T07-517202-CAN - BEZEL MODULE WRAP, G2203P, G2203D**

Item No.	Part No.	Qty.	Description
	T07-517202-CAN		MOD,BEZEL WRAP G2203P,G2203D DUO
DWG	015-047961-DWG		WRAP,BEZEL ASSY
DWG	016-047961-DWG		WRAP,BEZEL ASSY
	004-201926-	4	GLASS
	001-301253-	4	TAPE,GASKET TOTAL DISPLAY
	002-301253-	4	TAPE,GASKET UNIT PRICE DS
	002-301374-0W7	2	SIDE PANEL
	003-301377-0W7	2	FRONT PANEL,DUO
	-916202-		SILASTIC SEALANT

**TABLE 65. T11-517202-CAN - BEZEL WRAP MODULE, G2203D**

Item No.	Part No.	Qty.	Description
	T11-517202-CAN		MOD,GC BEZEL WRAP G2203D/
DWG	015-047961-DWG		WRAP,BEZEL ASSY
DWG	016-047961-DWG		WRAP,BEZEL ASSY
	004-201926-	4	GLASS
	001-301253-	4	TAPE,GASKET TOTAL DISPLAY
	002-301253-	4	TAPE,GASKET UNIT PRICE DS
	001-301374-0W7	2	SIDE PANEL,NO PRESET
	003-301377-0W7	2	FRONT PANEL,DUO
	-916202-		SILASTIC SEALANT



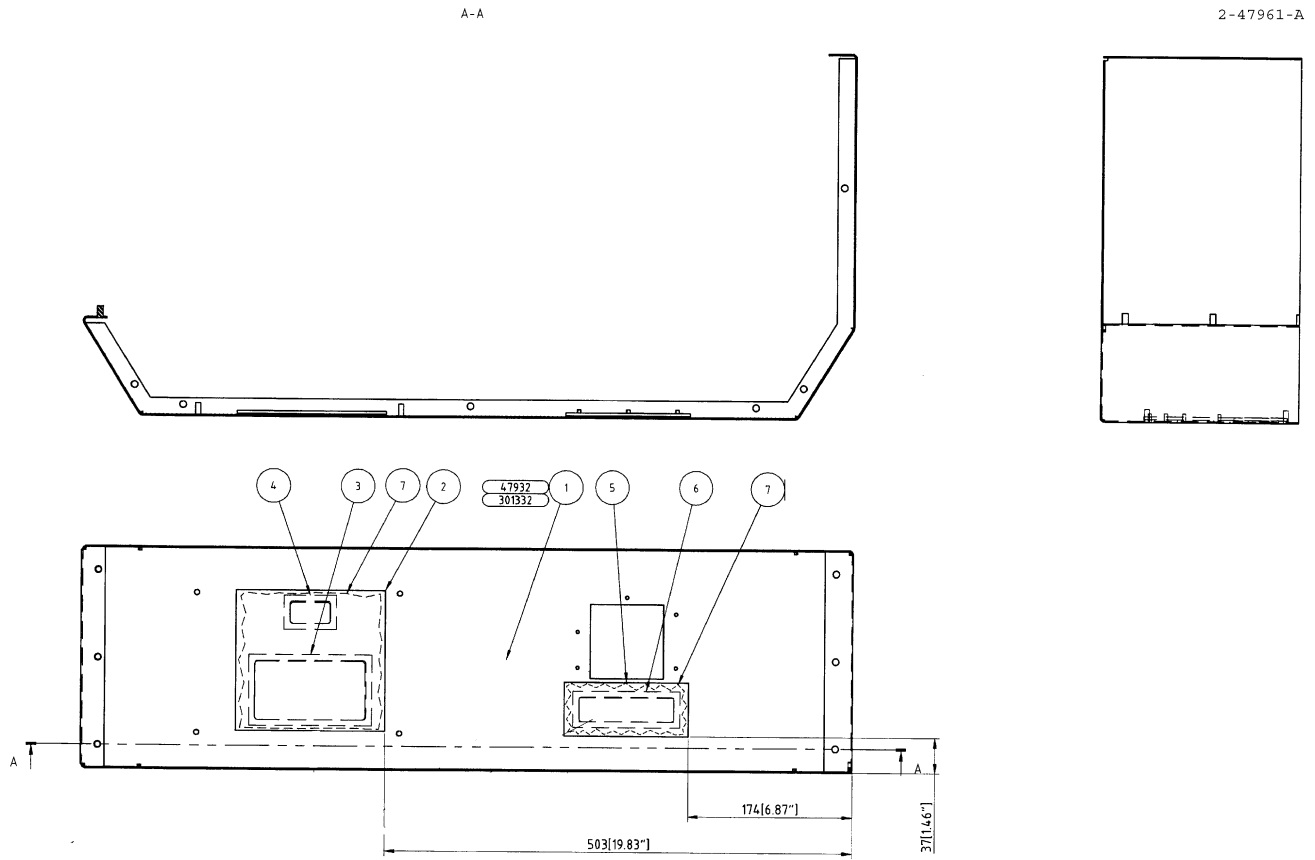


FIGURE 20. 2-47961-DWG - BEZEL WRAP, FRONT PRESET

**TABLE 66. T03-517202-CAN - BEZEL WRAP MODULE, G2007D, G2007P**

<b>Item No.</b>	<b>Part No.</b>	<b>Qty.</b>	<b>Description</b>
	T03-517202-CAN		MOD,BEZEL WRAP,G2007D,G2007P
DWG	002-047961-DWG		MOD,BEZEL WRAP FR. DSPL.
1	002-301338-F30	2	BEZEL WRAP,SIDE PRESET
2	004-201926-	2	GLASS
3	001-301253-	2	TAPE,GASKET TOTAL DISPLAY
4	002-301253-	2	TAPE,GASKET UNIT PRICE DS
7	-916202-		SILASTIC SEALANT

**TABLE 67. 7-301252 - RELAY & SUPPRESSOR MODULE, G2001P/Z4 220V**

Item No.	Part No.	Qty.	Description
	007-301252-		MOD,RELAY & SUPPRESSOR SNGL
	001-301252-DWG		MODULE RELAYS AND SUPPRE.
1	001-301197-	1	BRACKET,RELAY
2	002-916709-	1	RELAY - 240 VOLT
3	001-301251-HRN	1	HARNESS,WIRE MOTOR RELAY
4	-918104-	2	PLWA S#10X3/4PLASCREW
5	-916111-	2	SLHH S#6-32X3/8 T/F

**TABLE 68. 8-301252 - RELAY & SUPPRESSOR MODULE, G2002P/Z4, G2003P/Z4 220V**

Item No.	Part No.	Qty.	Description
	008-301252-		MOD,RELAY & SUPPRESSOR DUAL
	002-301252-DWG		MOD RELAYS & SUPPRESSORS
1	001-301197-	1	BRACKET,RELAY
2	002-916709-	2	RELAY - 240 VOLT
3	001-301251-HRN	2	HARNESS,WIRE MOTOR RELAY
4	-918104-	4	PLWA S#10X3/4PLASCREW
6	-916111-	4	SLHH S#6-32X3/8 T/F

**TABLE 69. 10-301252 - RELAY & SUPPRESSOR MODULE, G2003P/2HZ4/EG1**

Item No.	Part No.	Qty.	Description
	010-301252-		MOD,RELAY 3PH,DUAL, THERM.
	005-301252-DWG		MOD,RELAY & SUPPRESORS
1	001-301197-	1	BRACKET,RELAY
2	005-916709-	2	CONTACTOR,AC MAGNETIC
3	006-916709-	1	RELAY,THERMAL OVERLOAD
4	001-301459-	1	RELAY,SUPPORT - 3 PHASE
5	002-916433-	2	POP RIVET
6	-918104-	6	PLWA S#10X3/4PLASCREW
7	003-301251-HRN	2	HARNESS,WIRE MOTOR RELAY
8	-902365-	4	CONN MIDEAL#74B WIRENUT

**TABLE 70. 13-301252 - RELAY & SUPPRESSOR MODULE, G2203P**

Item No.	Part No.	Qty.	Description
	013-301252-		MOD,RELAY & SUPPRESSORS
	001-301197-	1	BRACKET,RELAY
	001-301251-HRN	1	HARNESS,WIRE MOTOR RELAY
	005-301251-HRN	1	HARNESS,WIRE MOTOR RELAY
	001-301252-DWG		MODULE RELAYS AND SUPPRE.
	-916111-	4	SLHH S#6-32X3/8 T/F
	001-916709-	2	RELAY - 120 VOLT
	-918104-	4	PLWA S#10X3/4PLASCREW

**TABLE 71. 14-301252 - RELAY & SUPPRESSOR MODULE, G2203P/Z4 220V**

Item No.	Part No.	Qty.	Description
	014-301252-		MOD,RELAY G2203P,220/240,
	001-301197-	1	BRACKET,RELAY
	001-301251-HRN	1	HARNESS,WIRE MOTOR RELAY
	005-301251-HRN	1	HARNESS,WIRE MOTOR RELAY
	001-301252-DWG		MODULE RELAYS AND SUPPRE.
	-916111-	4	SLHH S#6-32X3/8 T/F
	002-916709-	2	RELAY - 240 VOLT
	-918104-	4	PLWA S#10X3/4PLASCREW

**TABLE 72. T01-517215-CAN - RELAY & SUPPRESSOR MODULE, G2001P, G2002P, G2007P**

Item No.	Part No.	Qty.	Description
	T01-517215-CAN		MOD,GC RELAY & SUPPRESSOR
	001-301252-DWG		MODULE RELAYS AND SUPPRE.
1	001-301197-	1	BRACKET,RELAY
2	001-916709-	1	RELAY - 120 VOLT
3	001-301251-HRN	1	HARNESS,WIRE MOTOR RELAY
4	-918104-	2	PLWA S#10X3/4PLASCREW
5	-916111-	2	SLHH S#6-32X3/8 T/F

**TABLE 73. T02-517215-CAN - RELAY & SUPPRESSOR MODULE, G2003P**

Item No.	Part No.	Qty.	Description
	T02-517215-CAN		MOD,GC RELAY & SUPPRESSOR
	001-301252-DWG		MODULE RELAYS AND SUPPRE.
1	001-301197-	1	BRACKET,RELAY
2	001-916709-	2	RELAY - 120 VOLT
3	001-301251-HRN	2	HARNESS,WIRE MOTOR RELAY
4	-918104-	4	PLWA S#10X3/4PLASCREW
5	-916111-	4	SLHH S#6-32X3/8 T/F

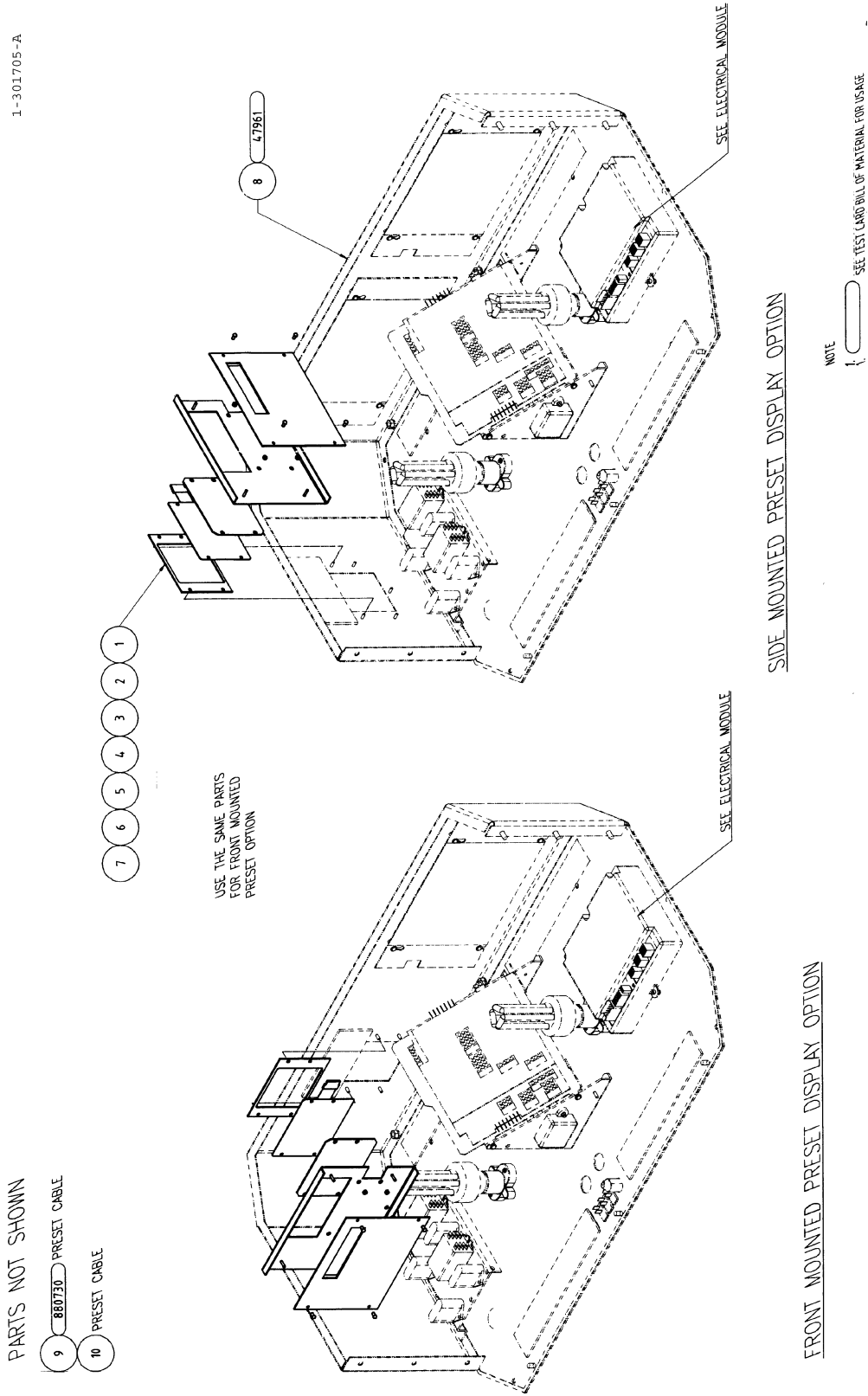


FIGURE 21. 1-301705-DWG - PRESET MODULE

**TABLE 74. 1-301705 - PRESET MODULE, DUO 1, DUO2**

Item No.	Part No.	Qty.	Description
	001-301705-		MOD,PRESET
DWG	001-301705-DWG		MOD,PRESET
1	880704-001	2	GASKET
2	4062201	2	KEYPAD
3	001-201941-	2	PLATE,KEYPAD 12 GA. STEEL
4	001-300996-	2	PRESET,PLATE ASSY
5	-918379-	10	HEX N#6-32 KEPS, ZINC
6	880638-005	2	ASSY,PCB PSC B/W TRANS BK
7	-916907-	8	PHPH S#6-32X5/16 ZN
9	880730-001	1	CABLE PRESET
10	880729-001	1	CABLE PRESET
11	001-006622-00D		WIRING,DIAGRAM HI CAP.

**TABLE 75. 2-301705 - PRESET MODULE, SINGLE**

Item No.	Part No.	Qty.	Description
	002-301705-		MOD,PRESET G2001/S
DWG	001-301705-DWG		MOD,PRESET
1	880704-001	1	GASKET
2	4062201	1	KEYPAD
3	001-201941-	1	PLATE,KEYPAD 12 GA. STEEL
4	001-300996-	1	PRESET,PLATE ASSY
5	-918379-	5	HEX N#6-32 KEPS, ZINC
6	880638-005	1	ASSY,PCB PSC B/W TRANS BK
7	-916907-	4	PHPH S#6-32X5/16 ZN
10	880729-001	1	CABLE PRESET
11	001-006622-00D		WIRING,DIAGRAM HI CAP.





NOTE: This equipment has been tested and found to comply with the limits for a Class A digital device, pursuant to Part 15 of the FCC Rules. These limits are designed to provide reasonable protection against harmful interference when the equipment is operated in a commercial environment. This equipment generates, uses, and can radiate radio frequency energy and, if not installed and used in accordance with the instruction manual, may cause harmful interference to radio communications. Operation of this equipment in a residential area is likely to cause harmful interference in which case the user will be required to correct the interference at his own expense.



**Wayne**

Dresser Wayne, Dresser, Inc., 3814 Jarrett Way, Austin, TX 78728

(512) 218-6549 • [www.wayne.com](http://www.wayne.com)

Part No. 921178 Rev B 03/01

©2001 Dresser, Inc.

200/03/01



921178 B